

# SMART CATCH-PIT



## INDEX

1. Code registry
2. Use
3. Technical specification

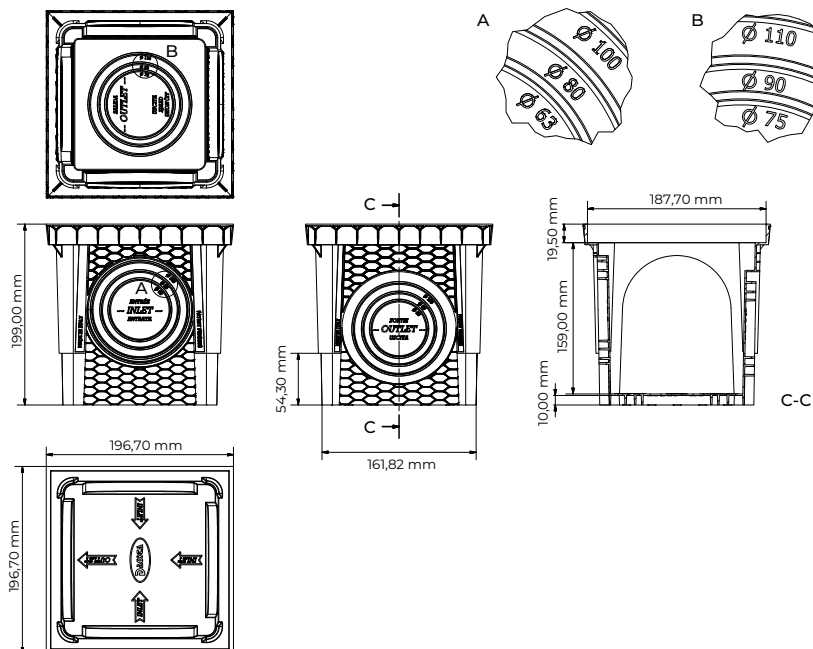
## 1. CODE REGISTRY

Code	Description	Dimensions (mm)	Weight	Colour	Pkg. / Pallet
POZ01-1372I	Smart Catch-Pit	200 x 200	0,39 kg/pc.	Grey	1 pc. / 288 pcs
POZ01-1373I	Smart Catch-Pit	300 x 300	1,10 kg/pc.	Grey	1 pc. / 112 pcs
POZ01-1374I	Smart Catch-Pit	400 x 400	2,40 kg/pc.	Grey	1 pc. / 45 pcs
POZ01-1371I	Smart Catch-Pit	550 x 550	8,30 kg/pc.	Grey	1 pc. / 24 pcs

### MATERIAL

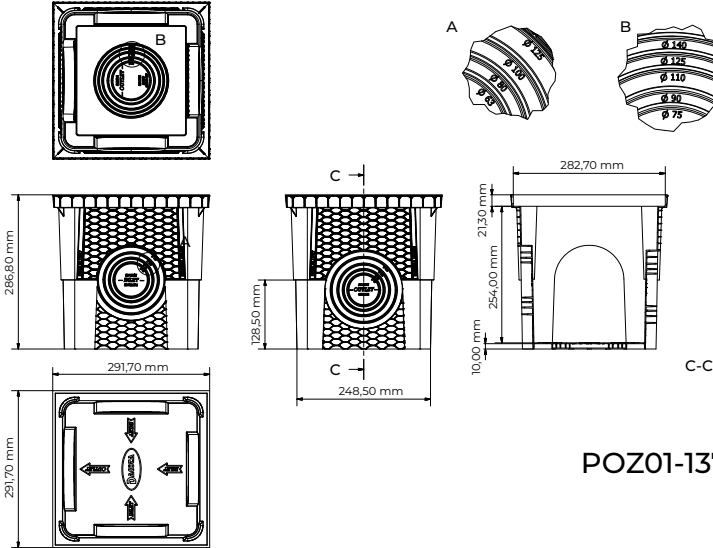
Made of PP (polypropylene).

### POZ01-1372I

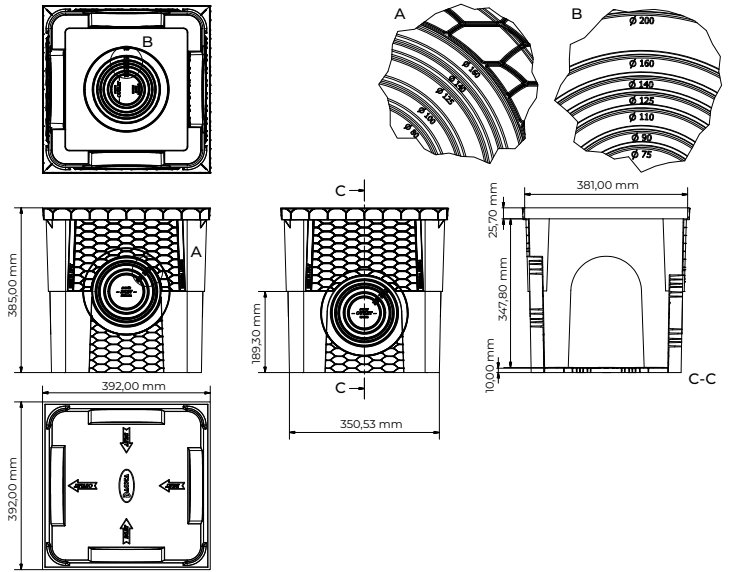


# SMART CATCH-PIT

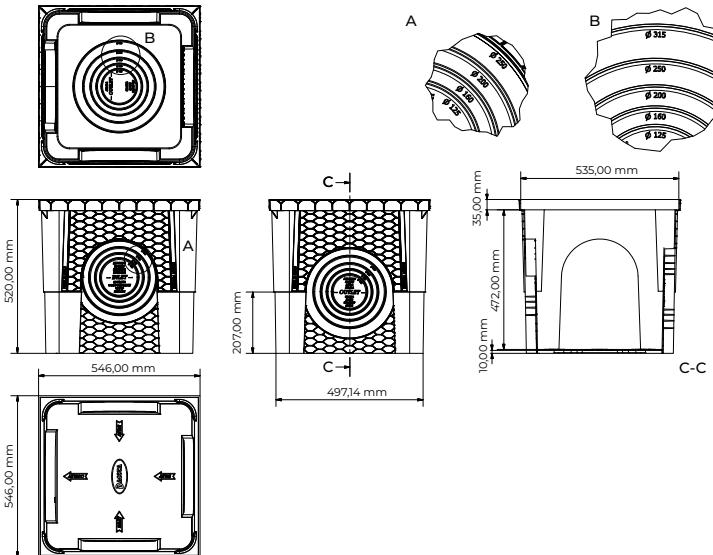
## POZ01-1373I



## POZ01-1374I



## POZ01-1371I



# SMART CATCH-PIT

## 2. USE

Used as an excellent alternative to traditional concrete catch-pits. Particularly suitable for housing electrical devices/cables at the ground.



## 3. TECHNICAL SPECIFICATION

Specification	Description	Unity	Price
<b>Dak.D.POZ01.137xI</b>	Supply and installation of catch-pit is available in various sizes, from 200 x 200 to 550 x 550 mm, grey colour. Main characteristics: <ul style="list-style-type: none"> <li>• Light weight for easy transport, positioning and installation, even by a single person;</li> <li>• High resistance thanks to the side rounded reinforcements that avoid breakages at the corners.</li> <li>• Pipes of every sizes can easily fit thanks to the special pre-cutted concentric shape of the side holes.</li> <li>• Space reduced to the half, thanks to the hi-stacking features.</li> </ul> Compatible with relative PP catch-pit cover and grating. Made of PP (polypropylene). Used as an excellent alternative to traditional concrete catch-pits. Particularly suitable for housing electrical devices/cables at the ground.		
<b>Dak.D.POZ01.1372I</b>	200 x 200 mm.....	pc.	-
<b>Dak.D.POZ01.1373I</b>	300 x 300 mm.....	pc.	-
<b>Dak.D.POZ01.1374I</b>	400 x 400 mm.....	pc.	-
<b>Dak.D.POZ01.137I</b>	550 x 550 mm.....	pc.	-