

EINBAUANLEITUNG

Regenfallrohr „HighLine®“

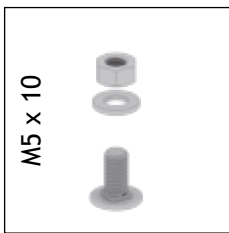
- Ⓜ GB Assembly manual
- Ⓜ FR Notice de montage
- Ⓜ NL Opbouwbeschrijving
- Ⓜ ES Instrucciones de montaje
- Ⓜ IT Istruzioni di montaggio
- Ⓜ DK Monteringsvejledning for "Hylde NEO"

For further languages please go to: www.biohort.com/downloads





2x



M5 x 10

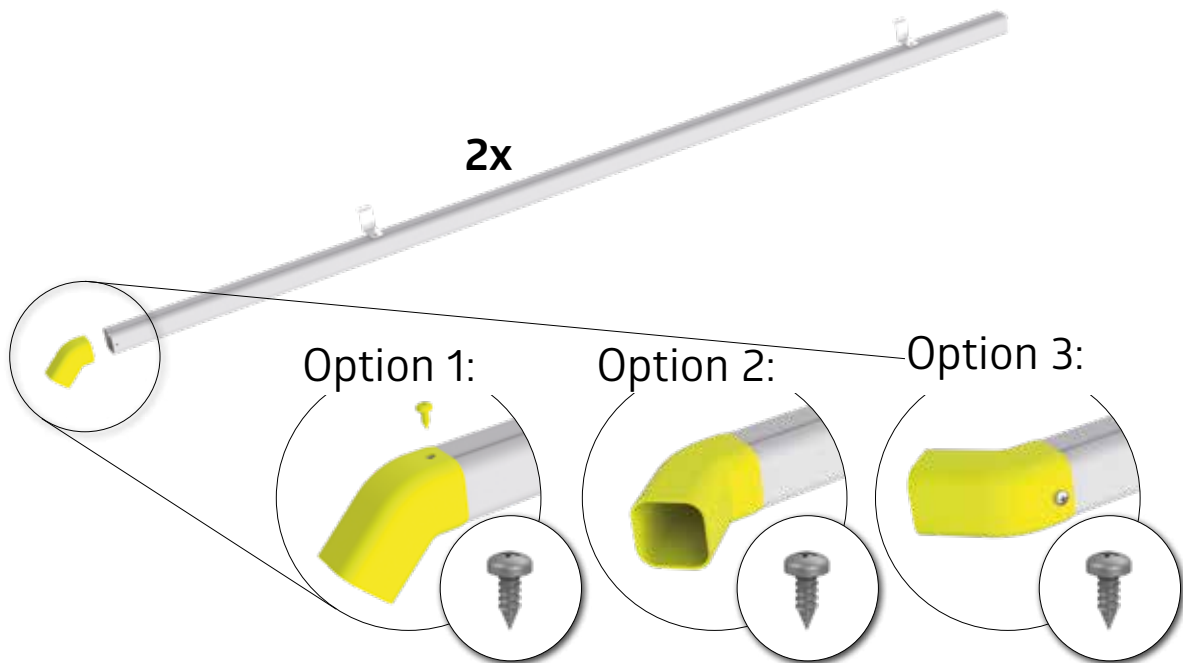
4x



4,8 x 13

2x

1.



2.

