

# SINGLE-BOWL SINK

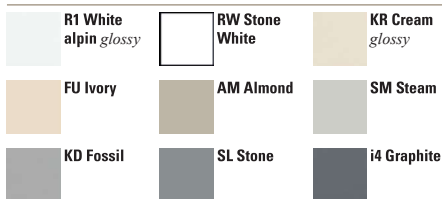


- Assembly on a vanity unit or wall-mounted
- Minimum width of undersink cabinet: 60 cm
- Compatible with the soap dispenser 9236 20 on page 93
- Further selection of cover caps for turn lever on page 97

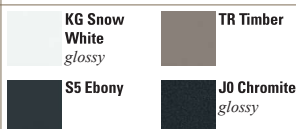


Ref.	Description (for XX, please enter colour number)	€ excl. VAT		
		Classicline	Premiumline	Trendline
6320 61 XX	Single-bowl Sink inclusive Waste system, hand-operated and Fastening set for installation with cabinet	946,00	1.057,00	1.131,00
6320 62 XX	Single-bowl Sink inclusive Waste system, pop-up and Fastening set for installation with cabinet	1.043,00	1.154,00	1.228,00

## Classicline CeramicPlus



## Premiumline CeramicPlus



## Trendline CeramicPlus

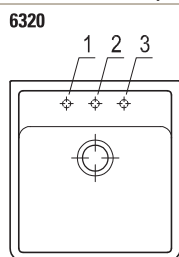


Custom manufacturing  
KT White Pearl and M1  
Mosaïque: delivery time +  
6 weeks

Ref.	Optional accessories / spare parts	€ excl. VAT
9K08 00 K1	Rolling mat, stainless steel	118,-
9624 15 LC	Cap waste cover, stainless steel	37,-
8270 00 61	Waste system hand-operated, chrome	68,-
8233 10 00	Waste system pop-up without Cover cap	165,-
9208 49 00	Fastening set for installation with cabinet	50,-
9208 47 00	Fastening set for wall-mounting without cabinet	136,-

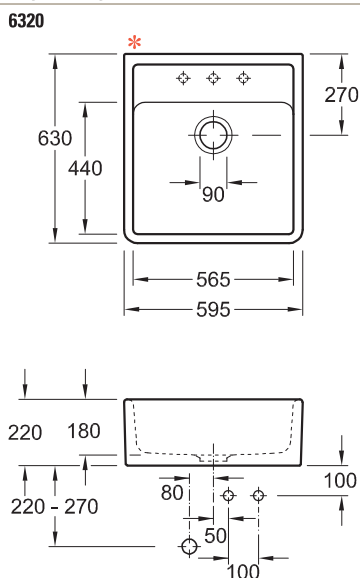


## View of holes for tap fittings



When ordering, please specify the tap hole you would like us to drill for you, by using tap hole reference number (see page 5).  
Diameter: ca. 35 mm  
Additional charge: 9,00 €/model.

## Engineering data



\* unglazed edge  
Please refer to the assembly instructions