


Installation drawings

Saunahaus Vaasa



MARKING			LENGTH	AMOUNT	
	WALL LOG 70x146				
	HITTING BLOCK FOR 70 MM LOGS			3	
SR-1	45x145 RAFTER		3869	14	
SR-1A	45x145 OUTSIDE RAFTER		3869	12	
LT-1	70x145 BEAM		3698	3	
PR-1	70x195 PURLIN		5246	1	
TL-1	45x132 BETWEEN RAFTERS		512	12	

BASE FRAME / FLOOR					
AR-1	45x120 IMPREGNATED BASE FRAME		5560	9	
AR-2	45x120 IMPREGNATED BASE FRAME		3960	2	
AR-3	45x120 IMPREGNATED BASE FRAME		3450	1	
AR-3B	45x120 IMPREGNATED BASE FRAME	Drainage openings 45x25	3450	1	
AR-4	45x120 IMPREGNATED BASE FRAME		2726	2	
AR-5	45x120 IMPREGNATED BASE FRAME		1770	2	
AR-6	45x120 IMPREGNATED BASE FRAME		400	1	
AR-7	45x95 IMPREGNATED BASE FRAME	45x95!	1600	2	
PL-1	24x120 FLOOR BOARD	IN THE FRONT ROOM	3355	35+5	
PL-2	24x120 FLOOR BOARD	IN THE STEAM ROOM	1965	14+2	
PL-3	24x120 FLOOR BOARD	IN THE WASHROOM	1255	14+2	
PL-4	24x120 ROOFBOARD (CEILING/FLOOR)		3955	30+3	
ROOF/CEILING					
KT-1	24x120 ROOFBOARD		5235	70+4	
LT-2	45x145 SAUNA ROOM CEILING BEAM		1995	4	
LT-3	45x145 WASHROOM BEAM		1286	4	
LI-1	15x55 SAUNA ROOM CEILING DISTANCE BOARD		1995	4	
LI-2	15x55 WASHROOM CEILING DISTANCE BOARD		1285	4	
SL-2	STP 14x121 SAUNA AND WASH ROOM CEILING BOARD		1595	32	
PP-1	15x55 FLOOR AND CEILING BOARDS	CUT ON SITE	~ 4.2	25	
RL-1	18x95 ROOF SIDEBOARD	CUT ON SITE	~ 5.4+	4+1	
RL-1	18x95 ROOF ENDBOARD	CUT ON SITE	~ 4.2+	8	
EXTRA	18x95 CEILING MOULDING EXTRA		3360	4	
LP-1	LOFT BARRIER NO.1 (2605 MM)			1	
	LADDER			1	

	18x95 DOOR MOLDING FOR 1580x2000 DOOR	1 set	1970	4	
			1790	2	
	18x95 WINDOW MOLDINGS FOR 1100x1729 WINDOWS	2 sets	1814	8	
			1310	4	
			1060	4	
	18x95 WINDOW MOLDINGS FOR 1100x540 WINDOWS	1 set	1310	2	
			1060	2	
			625	4	
	18x95 WINDOW MOLDINGS FOR 1050x1050 WINDOWS	1 set	1260	2	
			1135	4	
			1010	2	
	18x95 WINDOW MOLDINGS FOR 540x1050 WINDOWS	1 set	1135	4	
			750	2	
			500	2	
	18x95 WINDOW MOLDINGS FOR 1580x900 WINDOWS	1 set	1790	2	
			1540	2	
			985	4	
	18x95 WINDOW MOLDING, TRIANGLE, LEFT	1 set	1562	2	
			1153	2	
			741	2	
	18x95 WINDOW MOLDING, TRIANGLE, RIGHT	1 set	1562	2	
			1153	2	
			741	2	
	18x95 DOOR MOLDING FOR 690x1980 GLASS DOOR	1 set	2015	4	
			910	2	
			680	2	
	18x95 DOOR MOLDINGS FOR 690x1860 FRONT DOOR	1 set	2015	4	
			910	2	
			680	1	
	18x95 DOOR MOLDINGS FOR 590x1980 GLASS DOOR	1 set	2015	4	
			810	2	
extra	18x95 DOOR MOLDINGS (ADDITIONAL MATERIAL)		2.4	4	

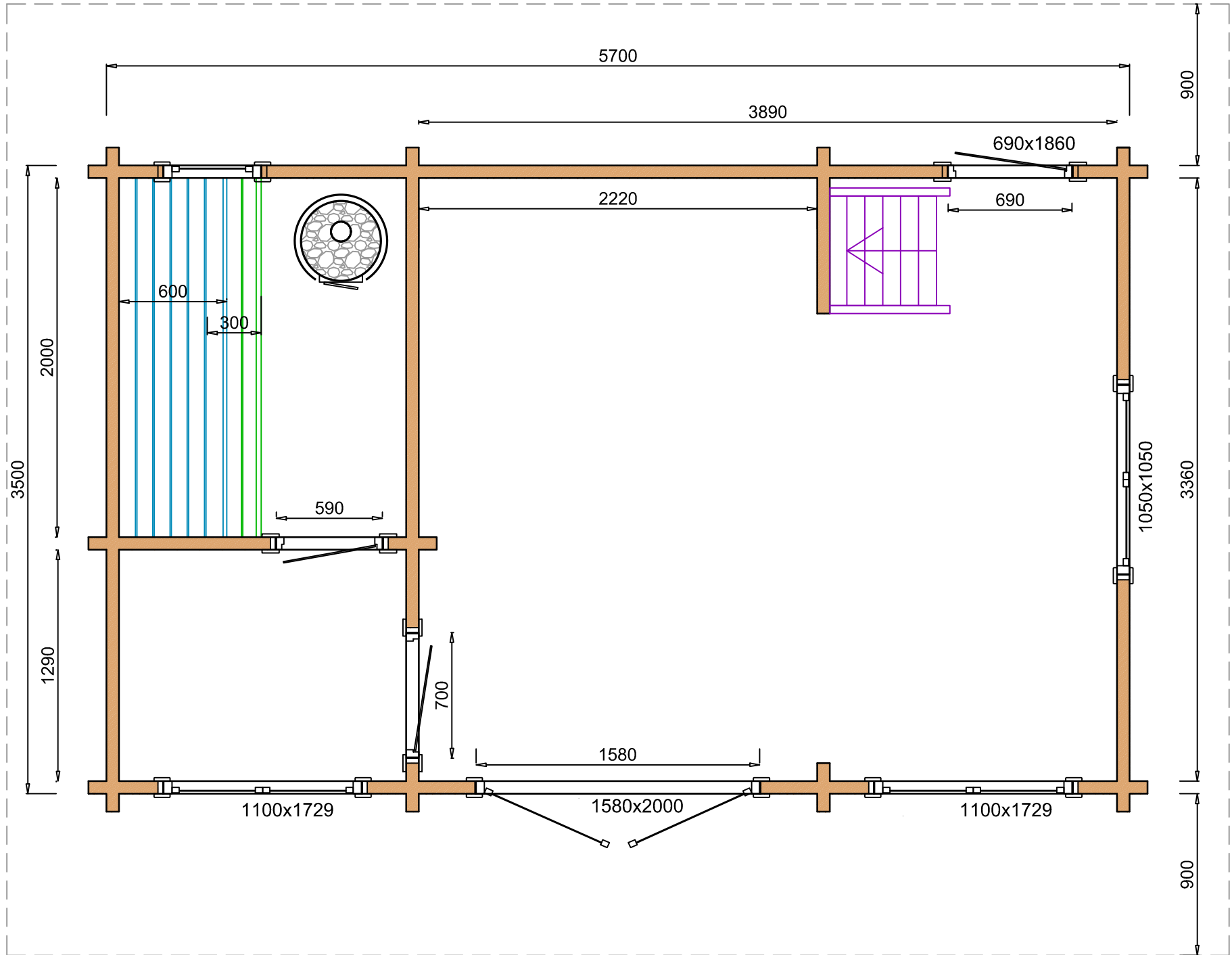
DOORS-WINDOWS					
WINDOW-1	WINDOW 70x1100x1729			2	
WINDOW-2	WINDOW 70x1050x1050			1	
WINDOW-3	WINDOW 70x1100x540			1	
WINDOW-4	WINDOW 70x540x1050			1	
WINDOW-5	WINDOW 70x1580x900			1	
WINDOW-6	WINDOW 70x1082x617 LEFT TRIANGLE			1	
WINDOW-7	WINDOW 70x1082x617 RIGHT TRIANGLE			1	
DOOR-1	EXTERIOR DOOR WITH WOODEN FRAME 70x1580x2000, TWO SIDED			1	
DOOR-2	EXTERIOR DOOR WITH WOODEN FRAME 70x690x1860			1	
DOOR-3	GLASS DOOR 70x690x1980 BRONZE			1	
DOOR-4	GLASS DOOR 70x590x1980 BRONZE			1	
TE-1	28x70+25x25" T" FIXING SLAT	TO THE DOOR	2000	2	
TE-2	28x70+25x25" T" FIXING SLAT	TO THE DOOR	1980	4	
TE-3	28x70+25x25" T" FIXING SLAT	TO THE DOOR	1860	2	
TE-4	28x70+25x25" T" FIXING SLAT	TO THE WINDOW	1729	4	
TE-5	28x70+25x25" T" FIXING SLAT	TO THE WINDOW	1050	4	
TE-6	28x70+25x25" T" FIXING SLAT	TO THE WINDOW	900	2	
TE-7	28x70+25x25" T" FIXING SLAT	TO THE WINDOW	600	2	
TE-8	28x70+25x25" T" FIXING SLAT	TO THE WINDOW	540	2	
TE-9	28x70+25x25" T" FIXING SLAT	ON THE WALL	2080	1	

	SAUNA BENCH MODULE 600x1992			1	
	SAUNA BENCH MODULE 300x1992			1	
	BENCH SKIRT 376x1992			1	
	HORIZONTAL BENCH SUPPORTS 45x45			1	
	SPU INSULATION PANEL 30x600x1200 FOR SAUNA AND WASH ROOM CEILING			8	
	METAL FLOOR STRIP FOR THE DOOR 2M			1	
	PLYWOOD 3 MM FOR GIVING THE FLOOR A SLOPE		1595	2	
	PLYWOOD 6 MM FOR GIVING THE FLOOR A SLOPE		1595	2	
	PLYWOOD 9 MM FOR GIVING THE FLOOR A SLOPE		1595	2	
	PLYWOOD 12 MM FOR GIVING THE FLOOR A SLOPE		1595	2	
	DRAINAGE DETAIL, OPEN END ON THE RIGHT	1600		1	
	DRAINAGE DETAIL, OPEN END ON THE LEFT	1600		1	

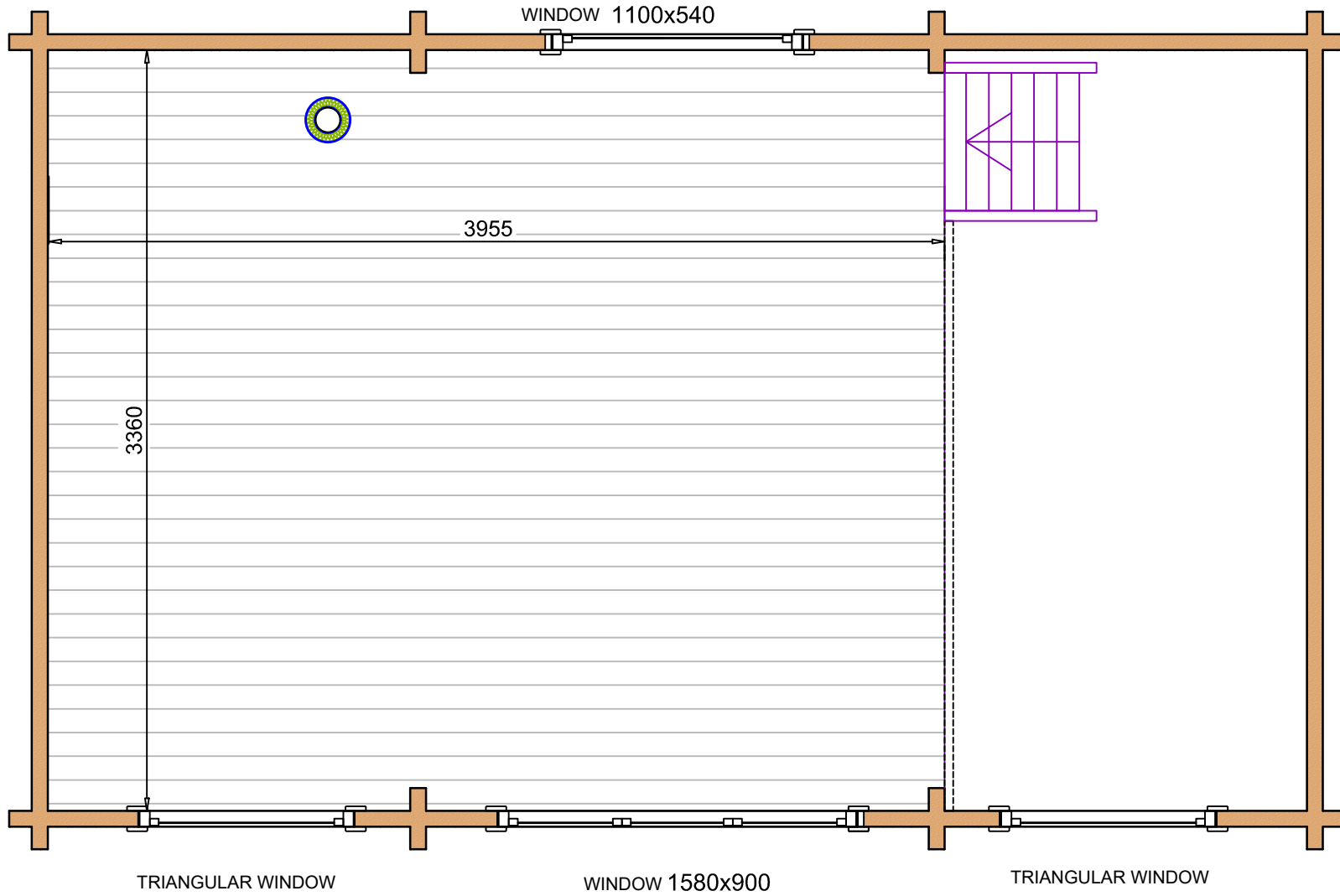
SCREWS-NAILS					
	THREADED BAR M10		3640	4	
	THREADED BAR M10		2750	4	
	THREADED BAR M10		2690	4	
	EXTENSION NUT M10	QUANTITY ACCORDING TO NEED			
	DRIVE IN NUT M10			12	
	WASHER M10 WIDE			12	
	NUT M10			12	
	RAFTER SLIDER 200/135x40			26	
	NAILING PLATE 160x60			13	
	BRACKET 60x60 VMS FOR ATTACHING TOP OF RAFTER TO PURLIN			13	
	JOIST HANGER 45x137 OUTDOOR (SAUNA AND WASH ROOM CEILING)			8	
	ANGLE BRACKET 35x35x130 FOR LADDER FIXING			2	
	WASHER FOR M5 ANGLE BRACKET			4	
	SCREW 3.5x40 FOR MOULDINGS			400	
	SCREW 4.5x70 FOR ROOF EDGES			200	
	SCREW 5x90 BASE FRAME			200	
	SCREW 3.5x50 FOR FLOOR BOARD			800	
	SCREW 6x180 FOR RAFTER / WALL CONNECTION			300	
	SCREW 5x40 FOR METAL CORNERS			400	
	75 MM ROOF NAIL			~1600	
	40 MM CEILING BOARD NAIL			400	

	VENTILATION VALVE, WOOD D100			3	
	VENTILATION GRATE, ROUND ZINC D100			3	
	FOIL TAPE			2	
	FOAM FLEXIFOAM (BETWEEN WINDOWS)			2	

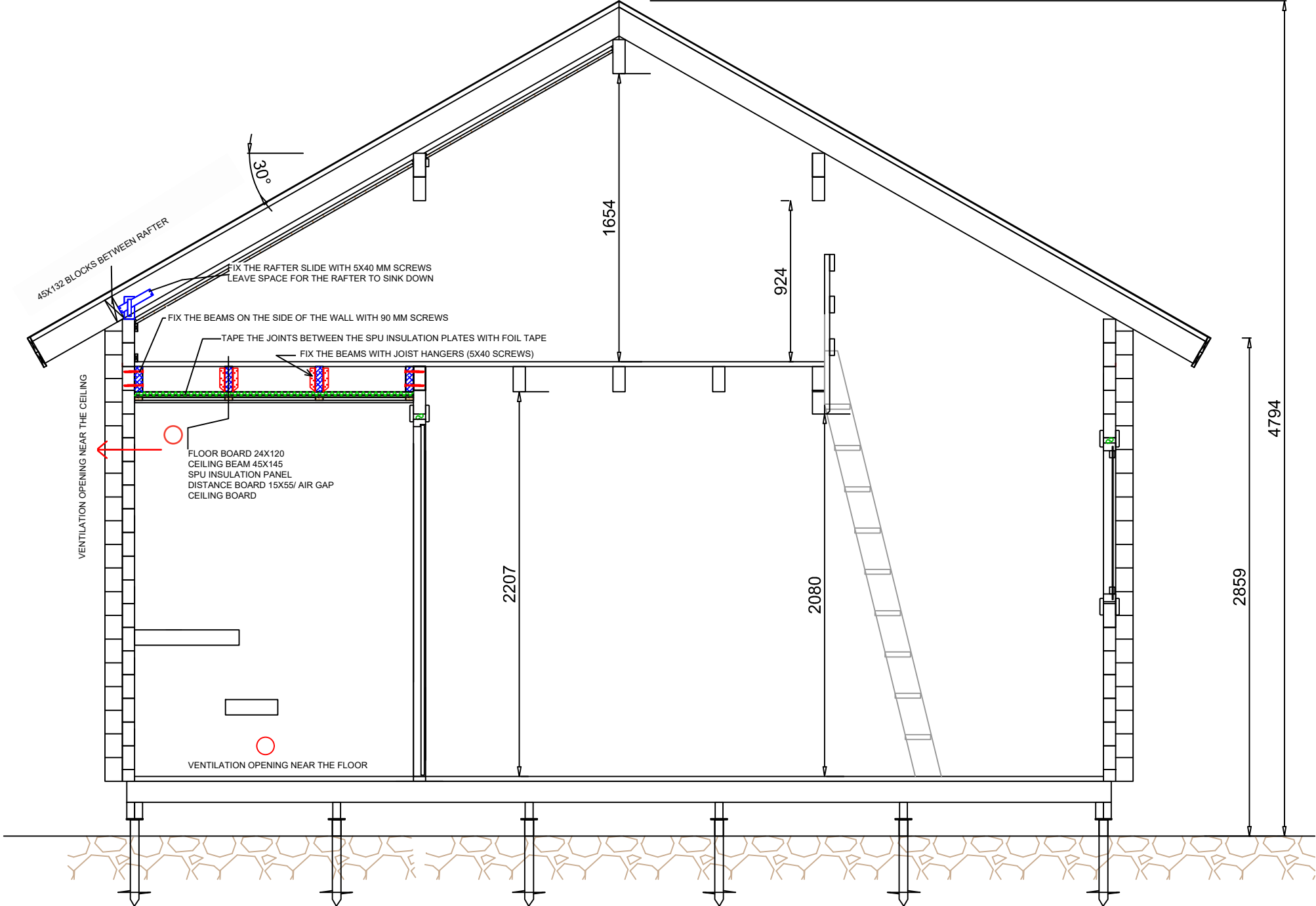
FLOOR PLAN



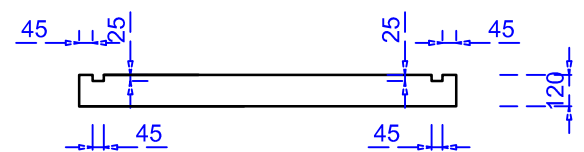
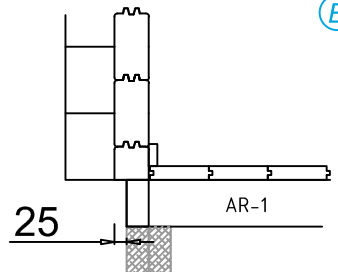
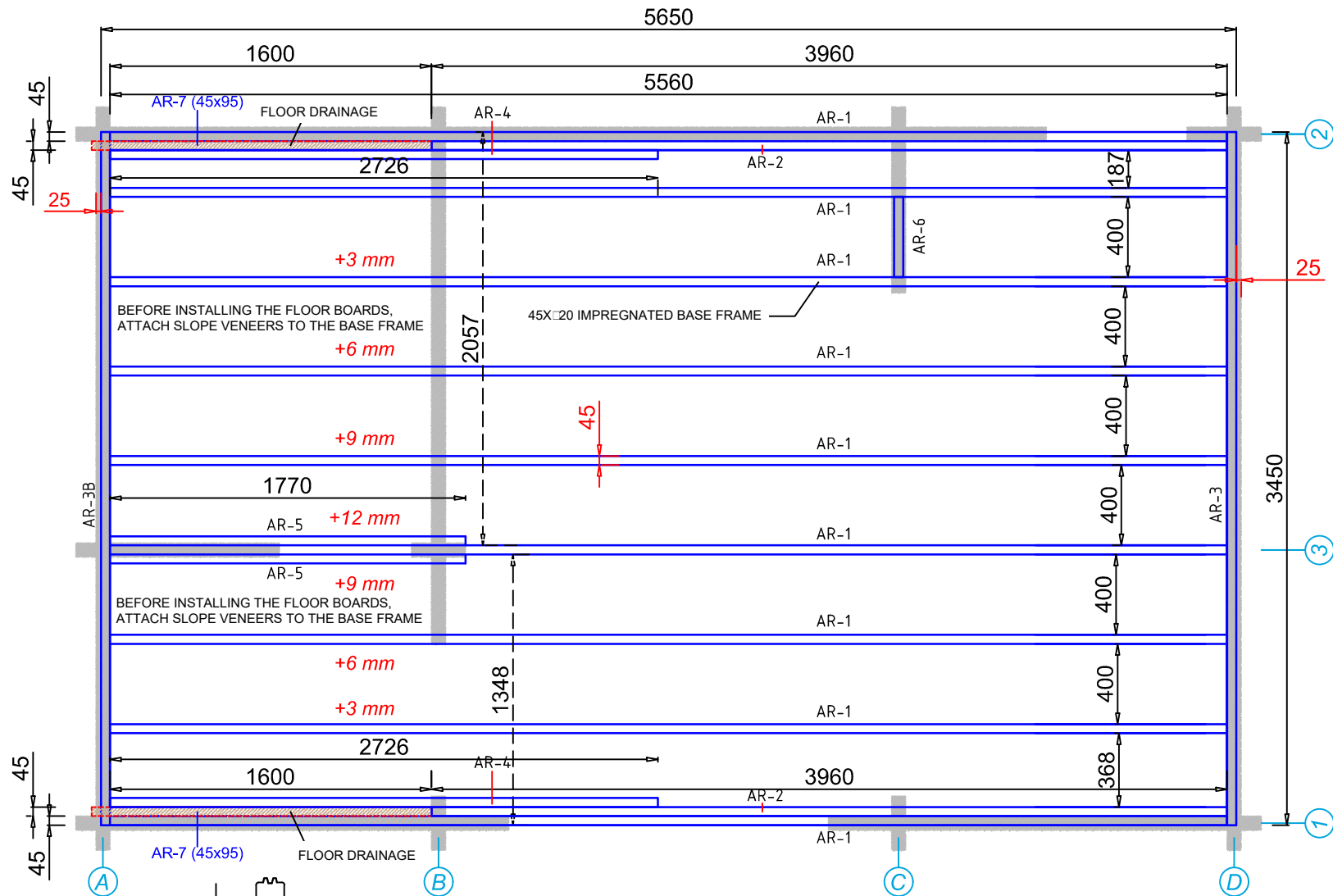
2-ND FLOOR



CROSS SECTION

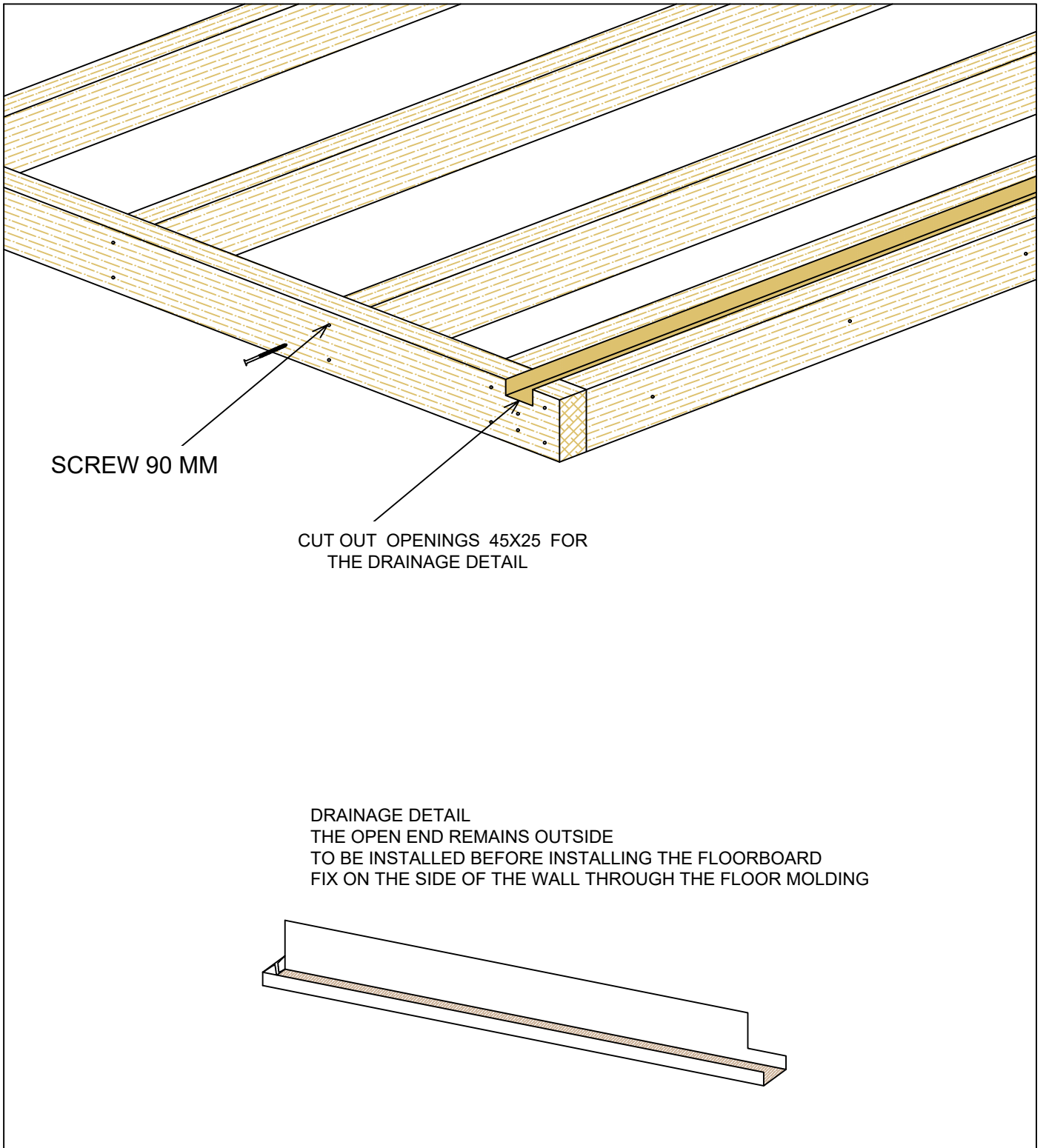


BASE FRAME



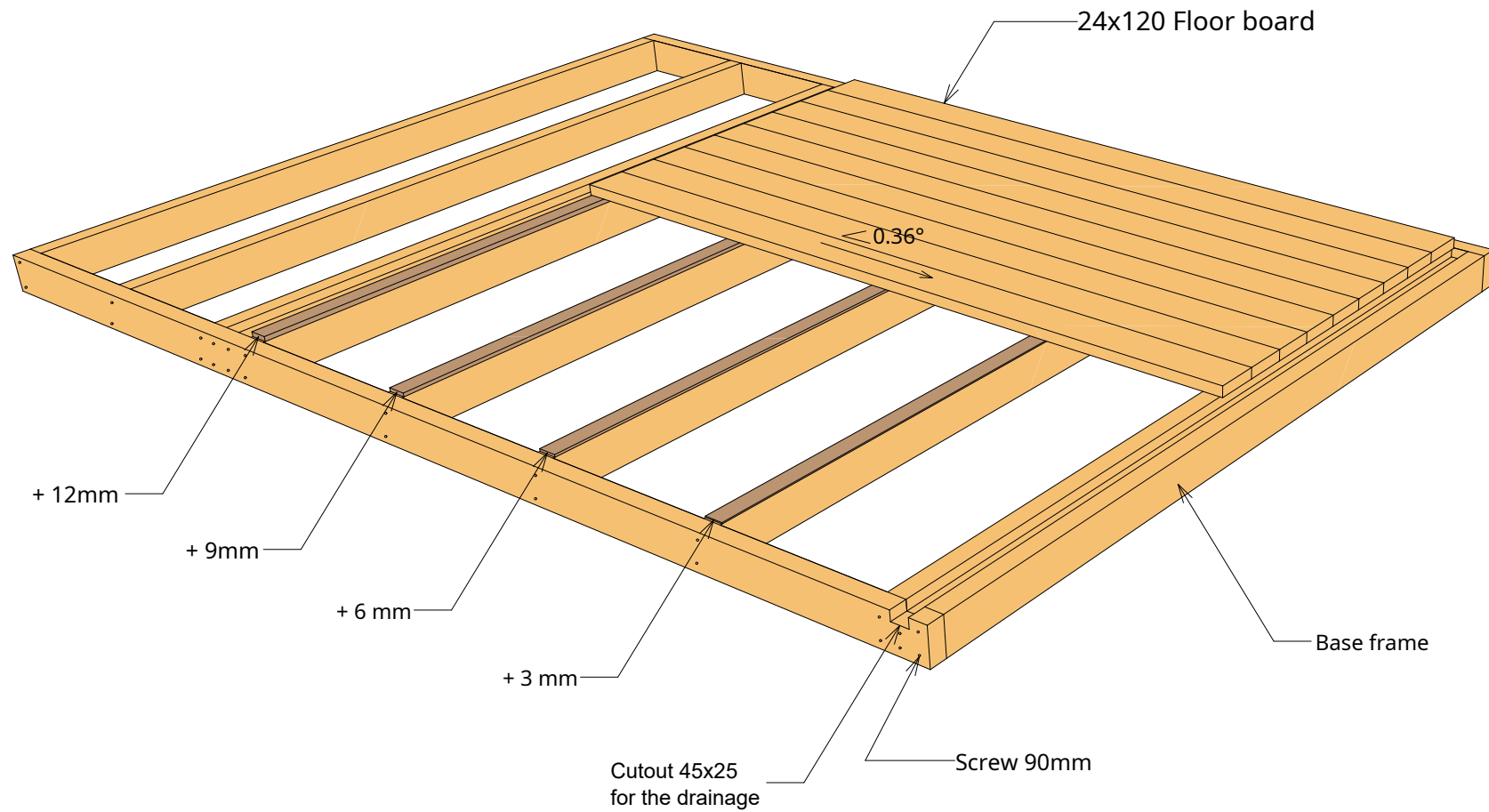
AR-3B CUT OUT OPENINGS FOR THE GUTTER

BASE FRAME

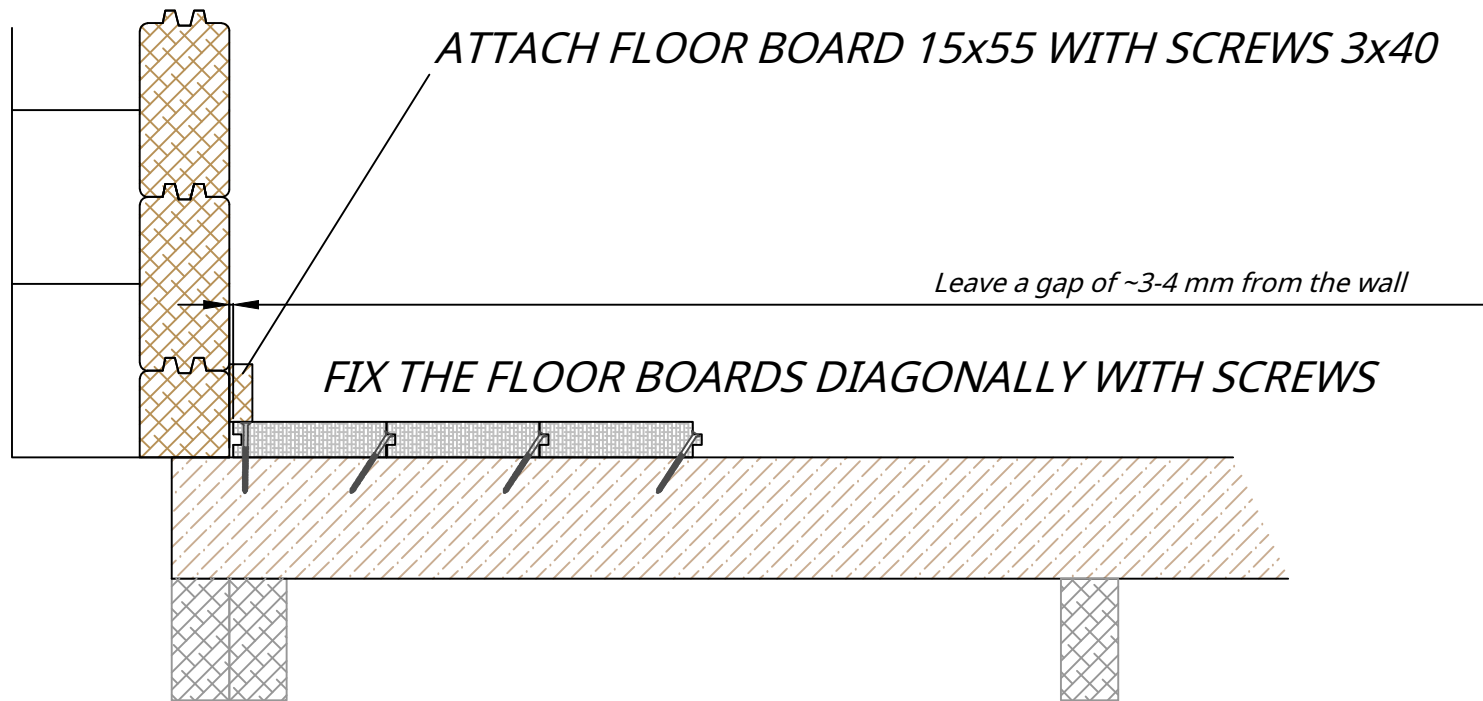


PRINCIPAL SCHEME FOR INSTALLING SLOPE VENEERS

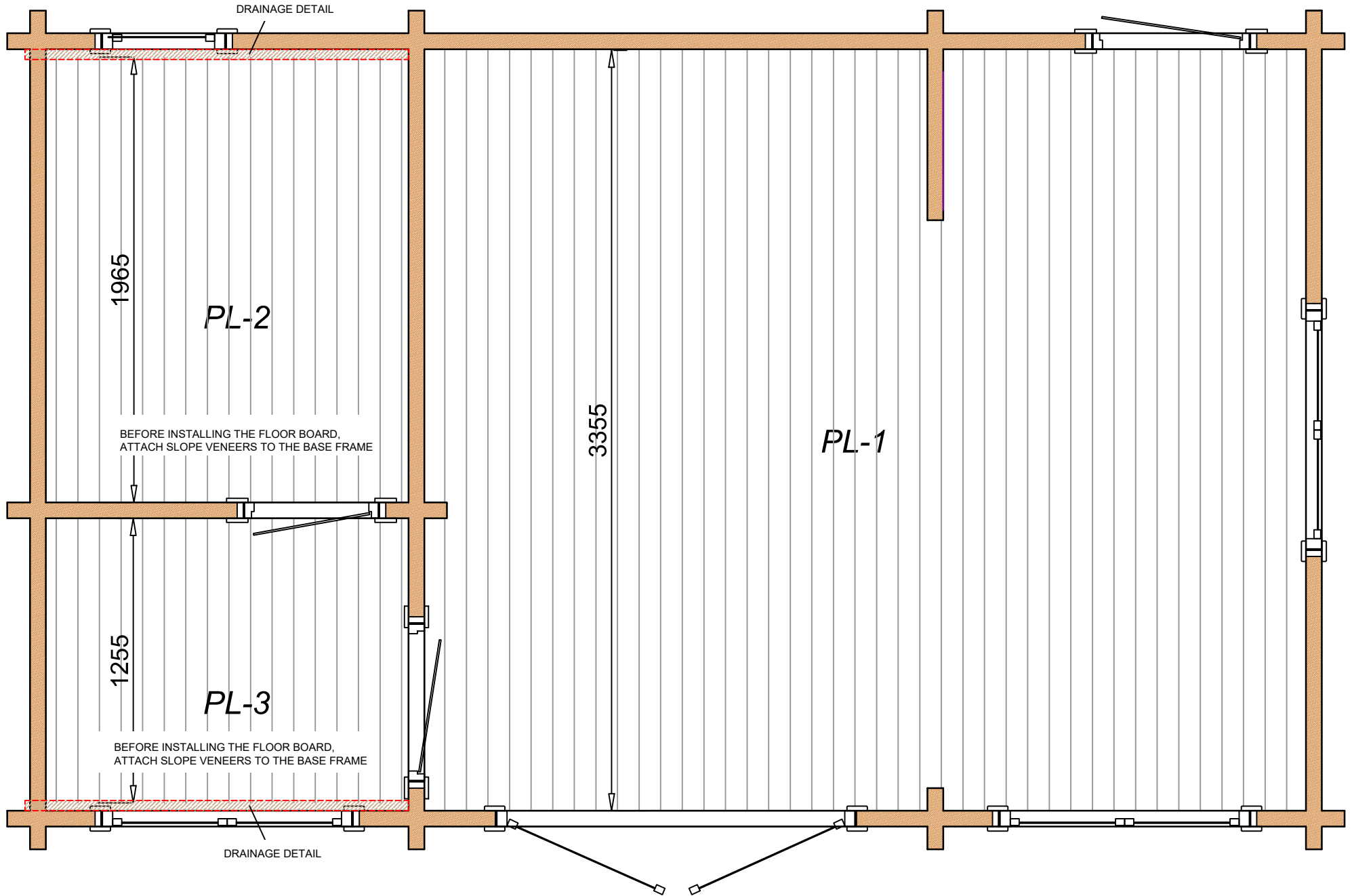
BEFORE INSTALLING THE FLOOR BOARD, INSTALL SLOPE VENEERS (3, 6, 9, 12 MM)



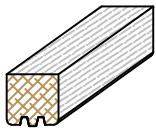
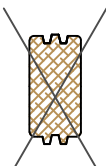
FIXING THE FLOOR BOARD



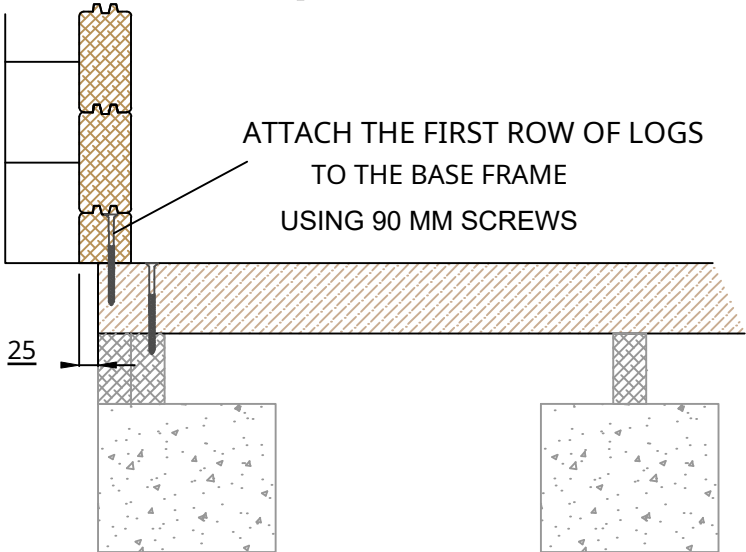
FLOOR BOARDS



WALL SCREWS

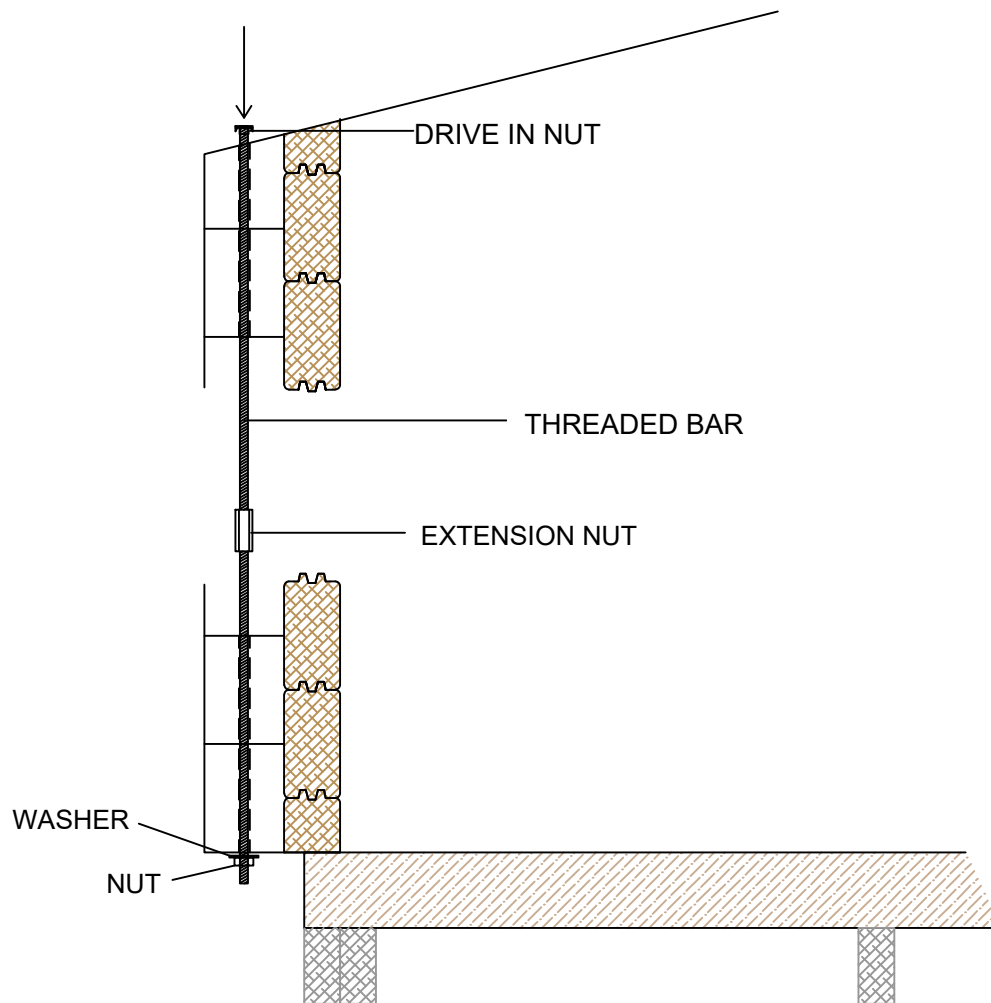


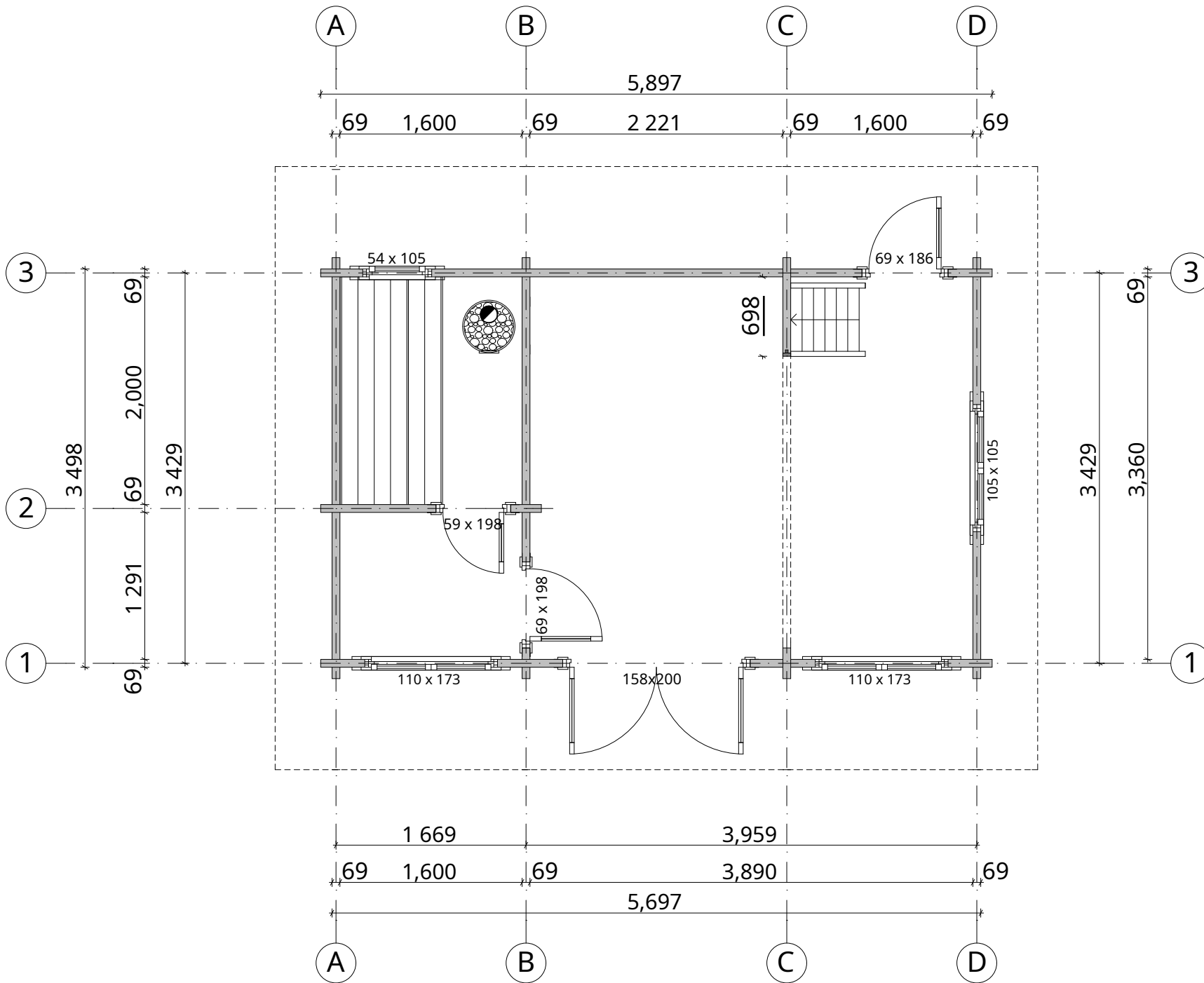
USE A RUBBER HAMMER AND A HITTING BLOCK



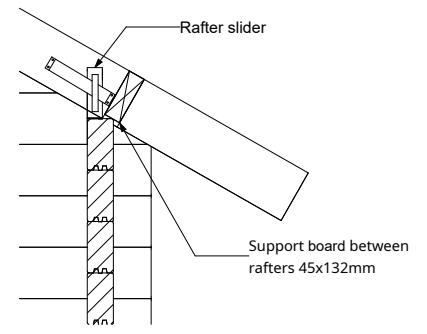
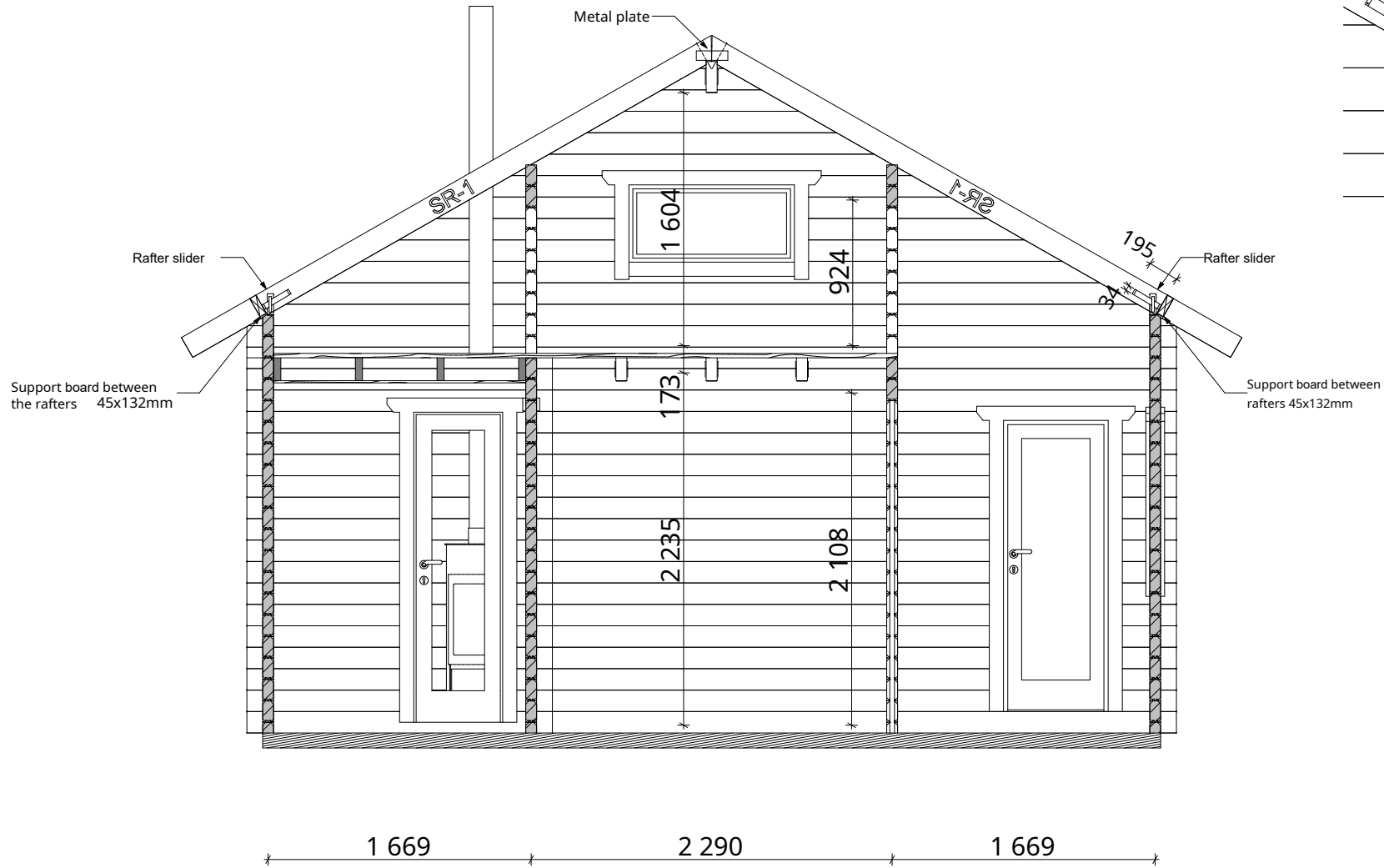
THREADED BARS

WHEN INSTALLING THE WALL LOGS, MAKE SURE THERE IS AN OPENING FOR THE THREADED BARS IN EACH LOG ROW.

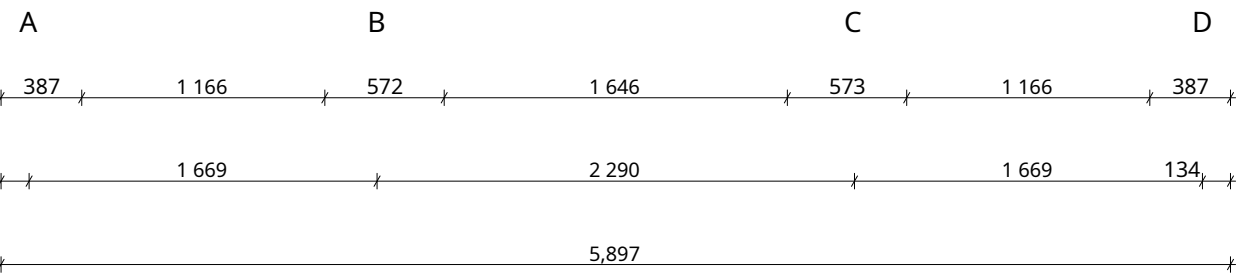
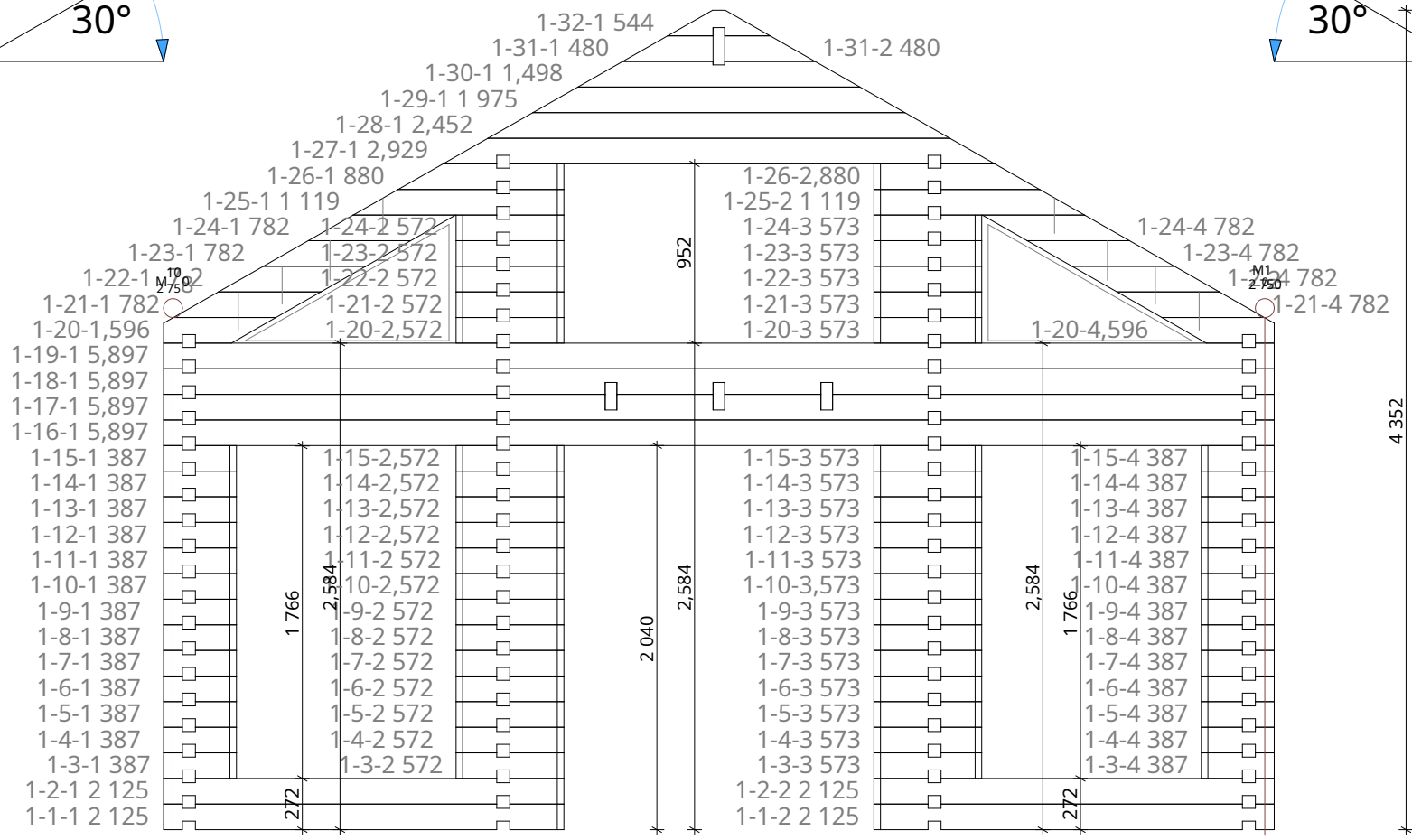
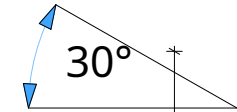
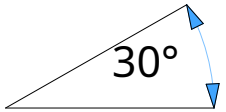




FLOOR PLAN

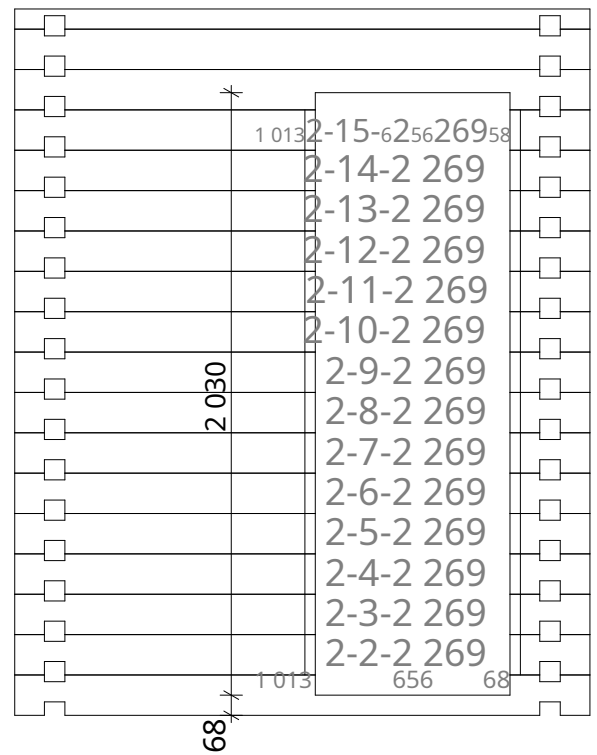


Cross-section



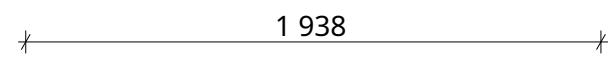
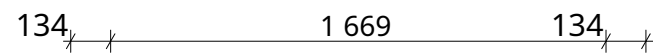
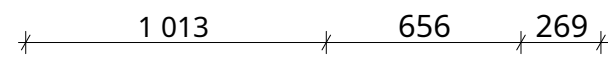
WALL 1

2-18-1 1 938
 2-17-1 1 938
 2-16-1 1 938
 2-15-1 1 013
 2-14-1 1 013
 2-13-1 1,013
 2-12-1 1 013
 2-11-1 1 013
 2-10-1 1,013
 2-9-1 1,013
 2-8-1 1,013
 2-7-1 1,013
 2-6-1 1,013
 2-5-1 1,013
 2-4-1 1,013
 2-3-1 1,013
 2-2-1 1,013
 2-1-1 1 938



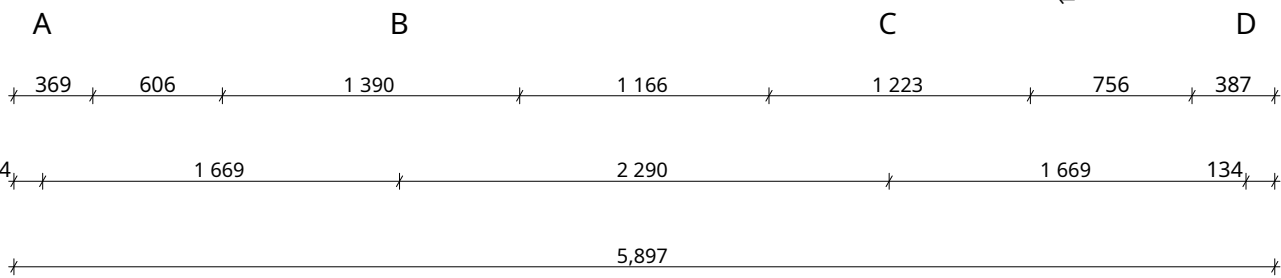
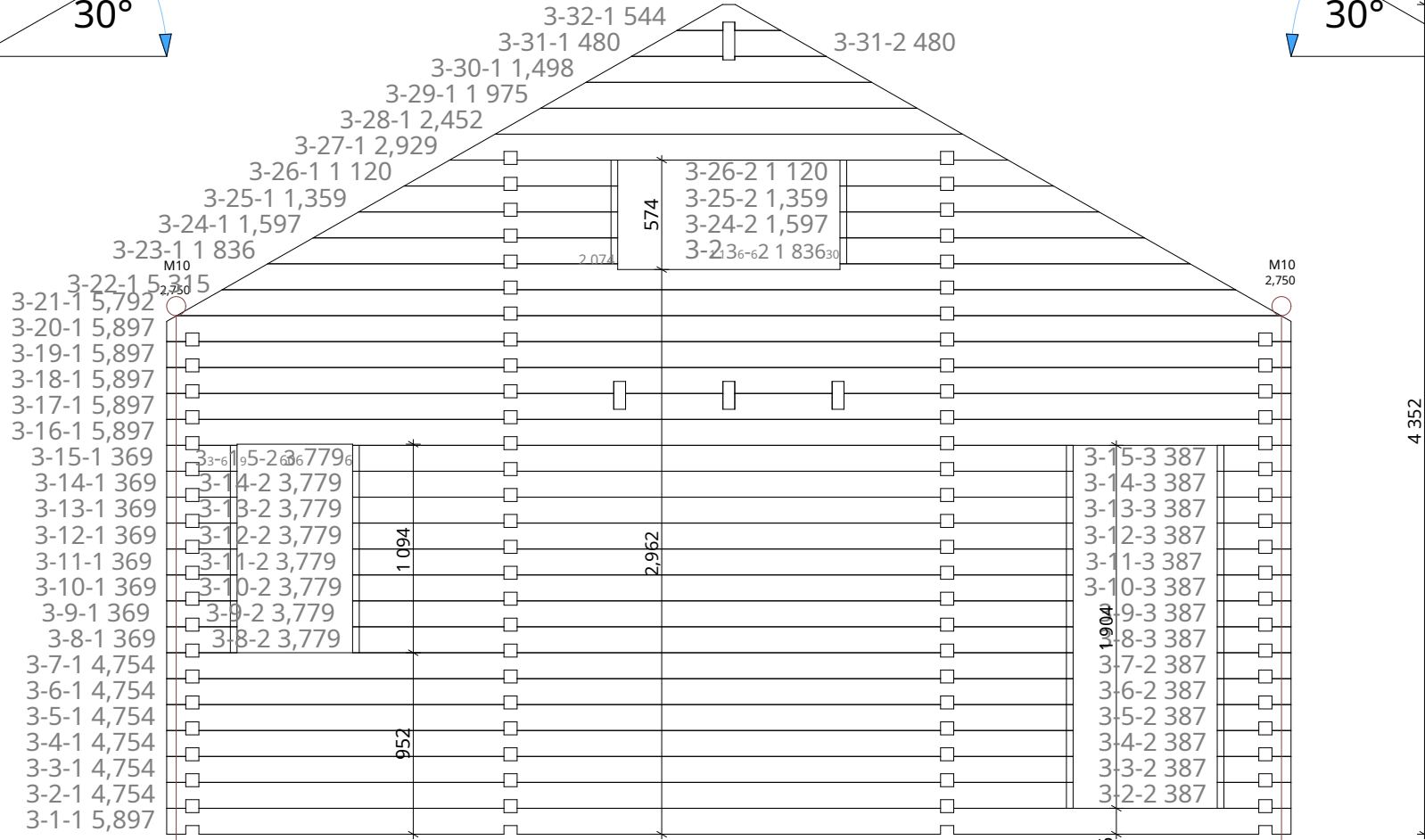
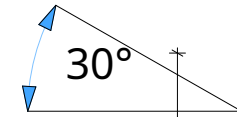
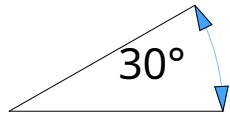
A

B

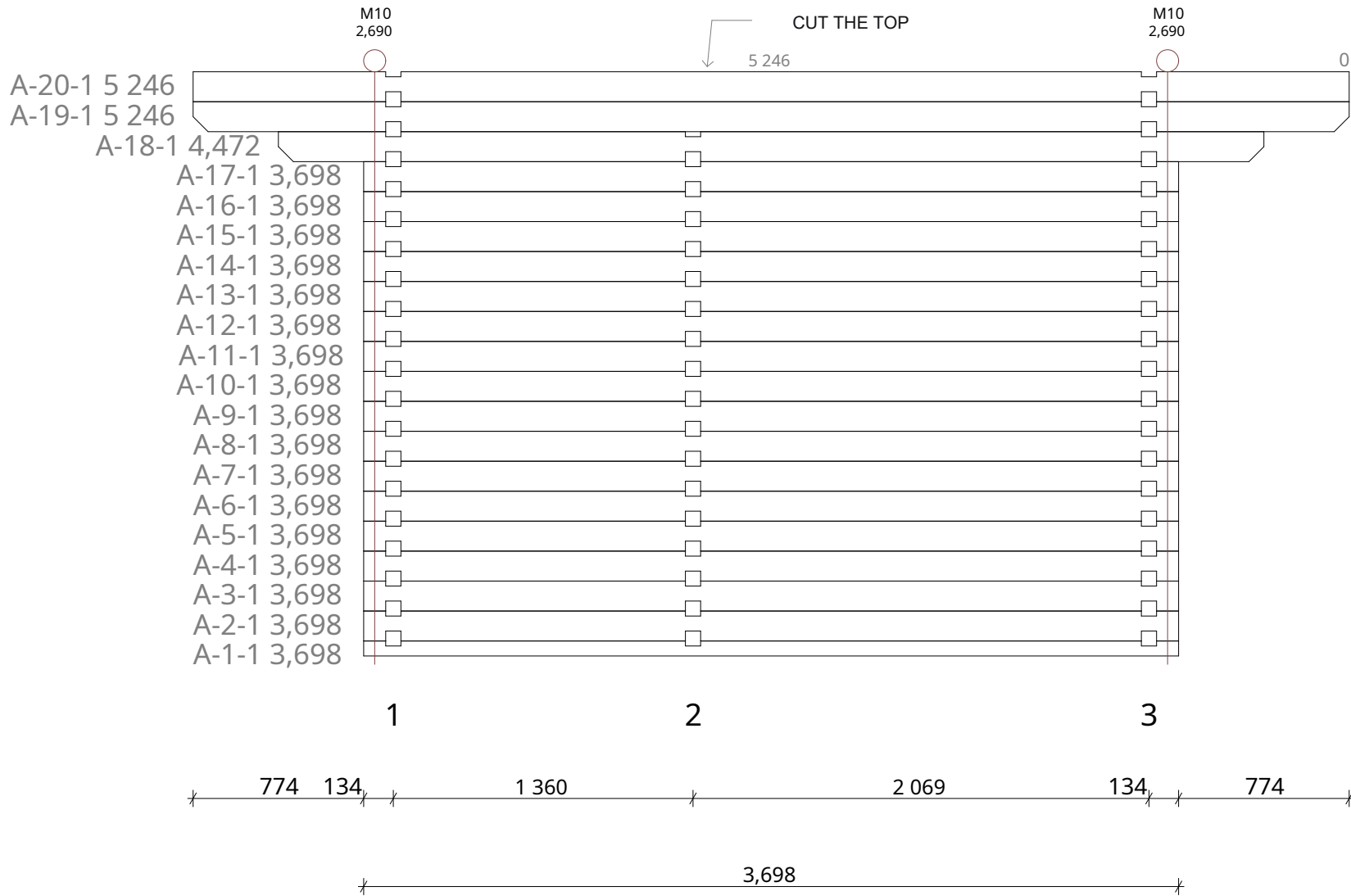


If necessary, cut vertical cuts above and below the door and window openings. The horizontal cutting line is already prepared.

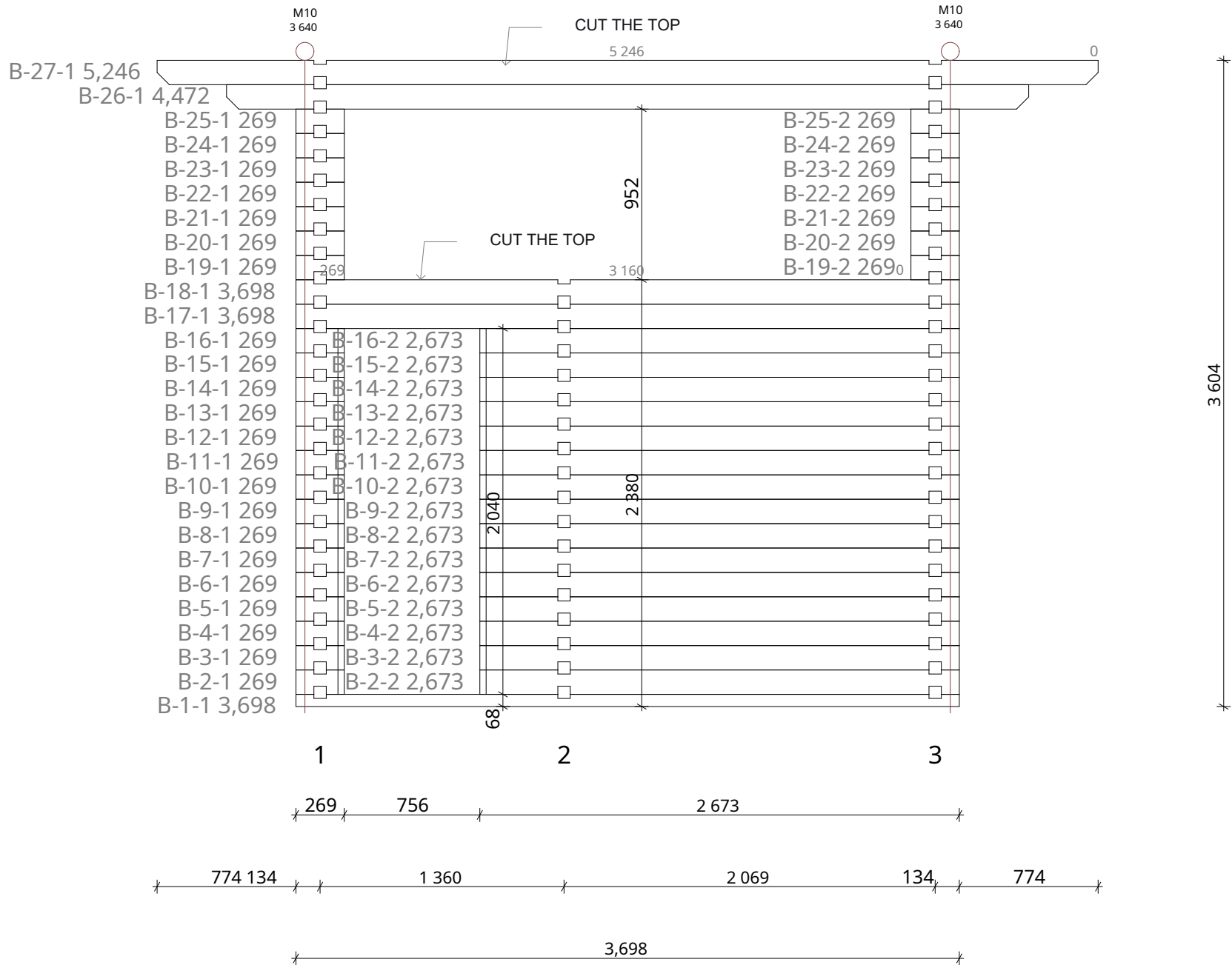
WALL 2



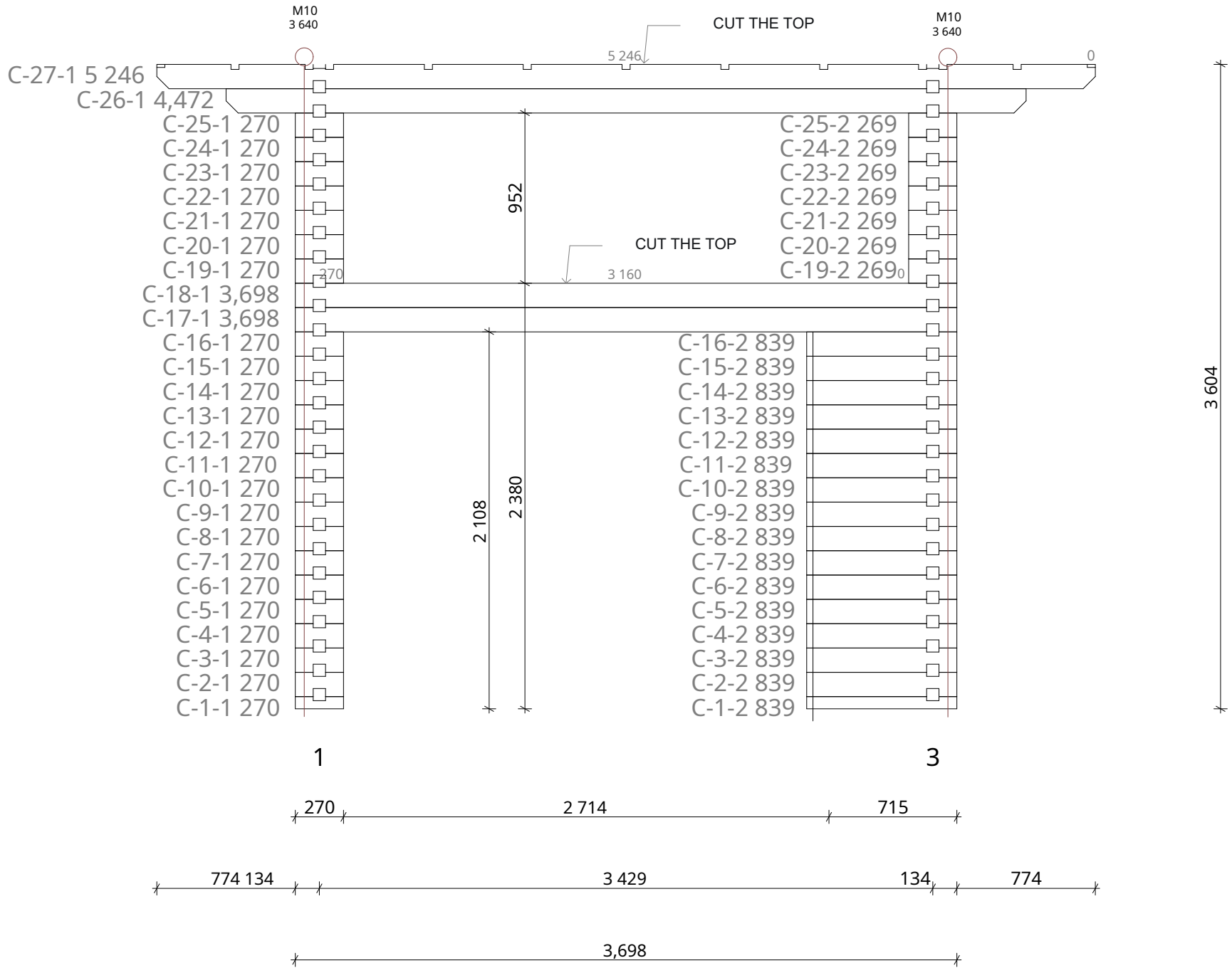
WALL 3



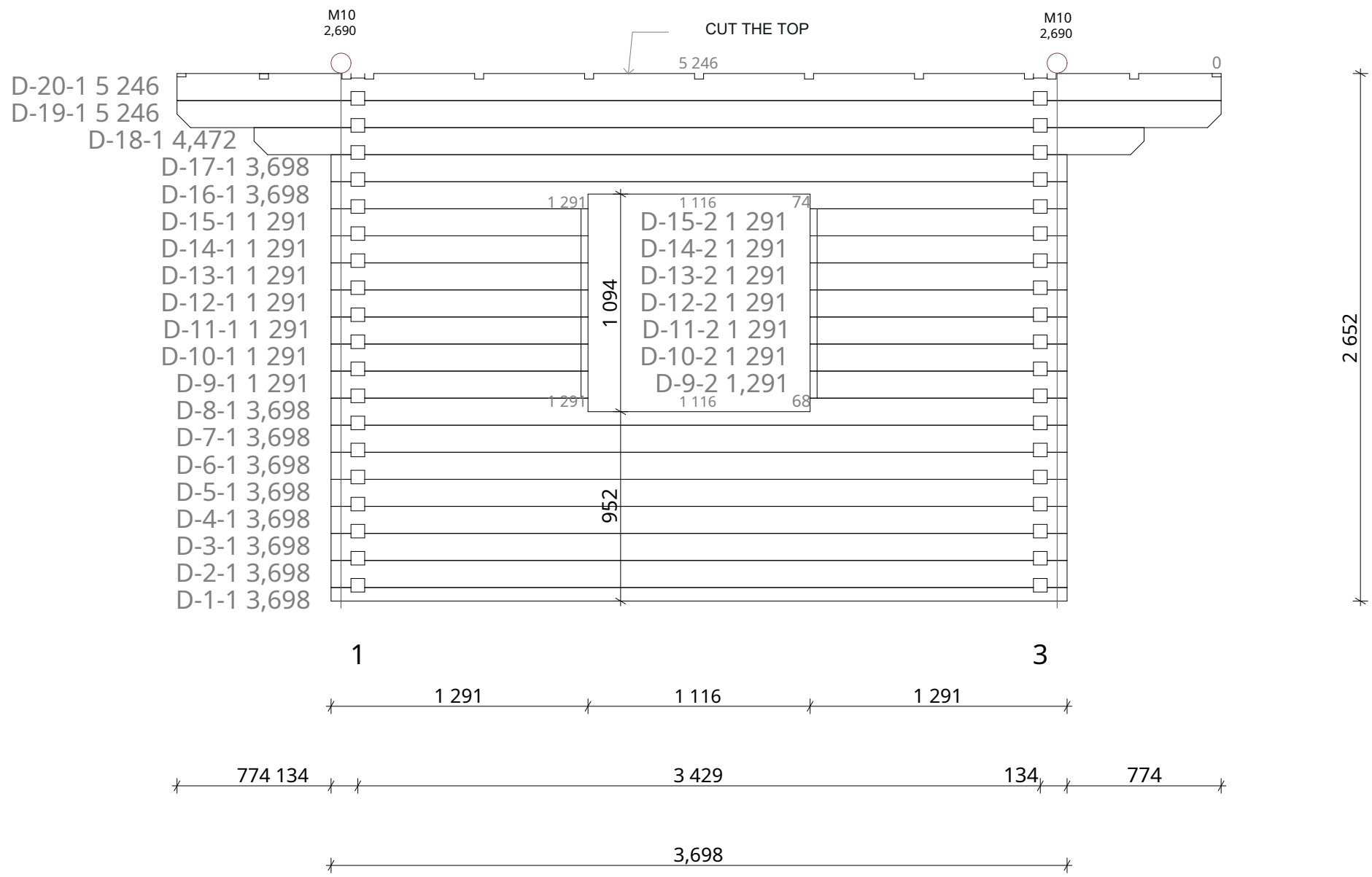
WALL A



WALL B

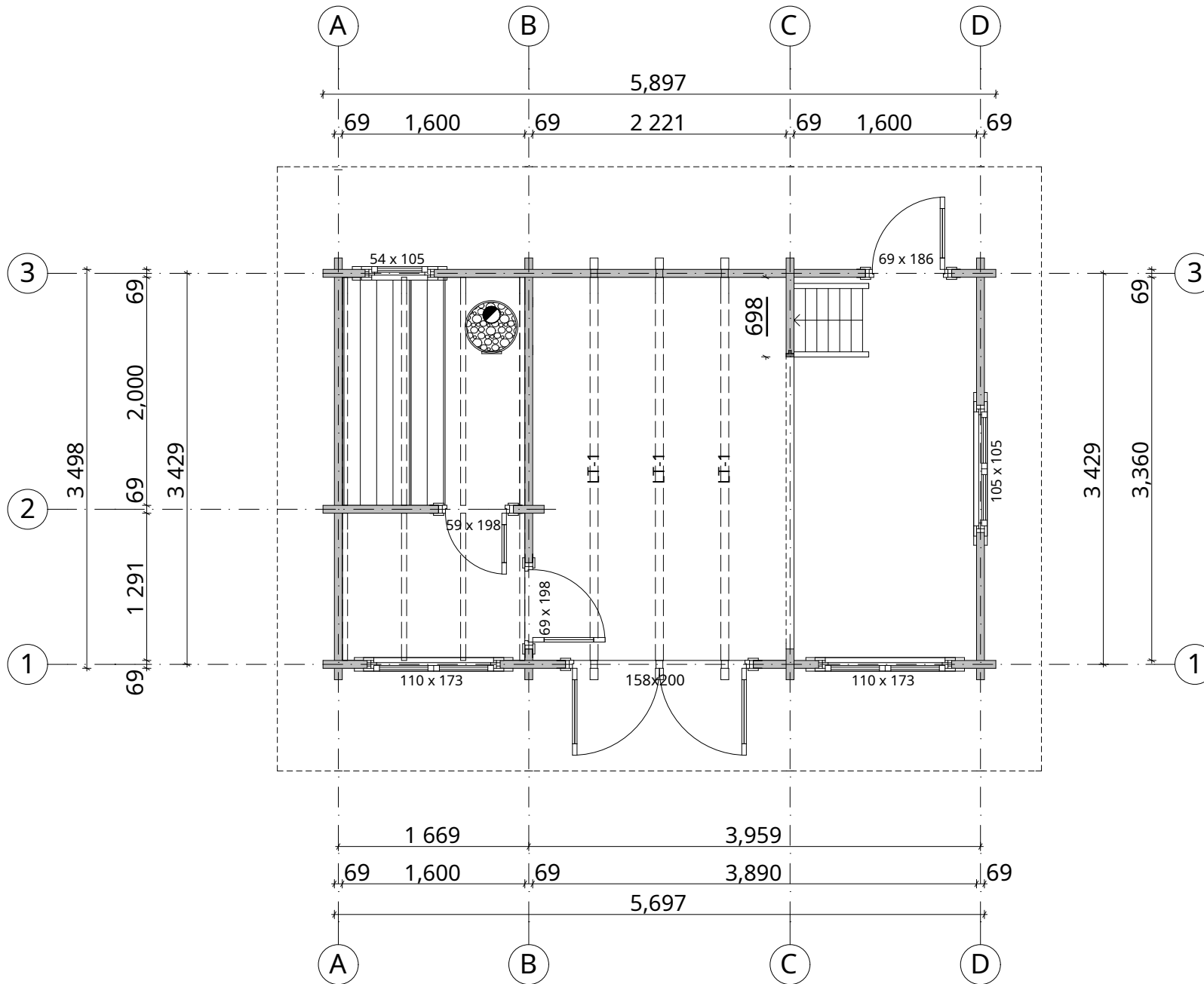


WALL C



If necessary, cut vertical cuts above and below the door and window openings. The horizontal cutting line is already prepared.

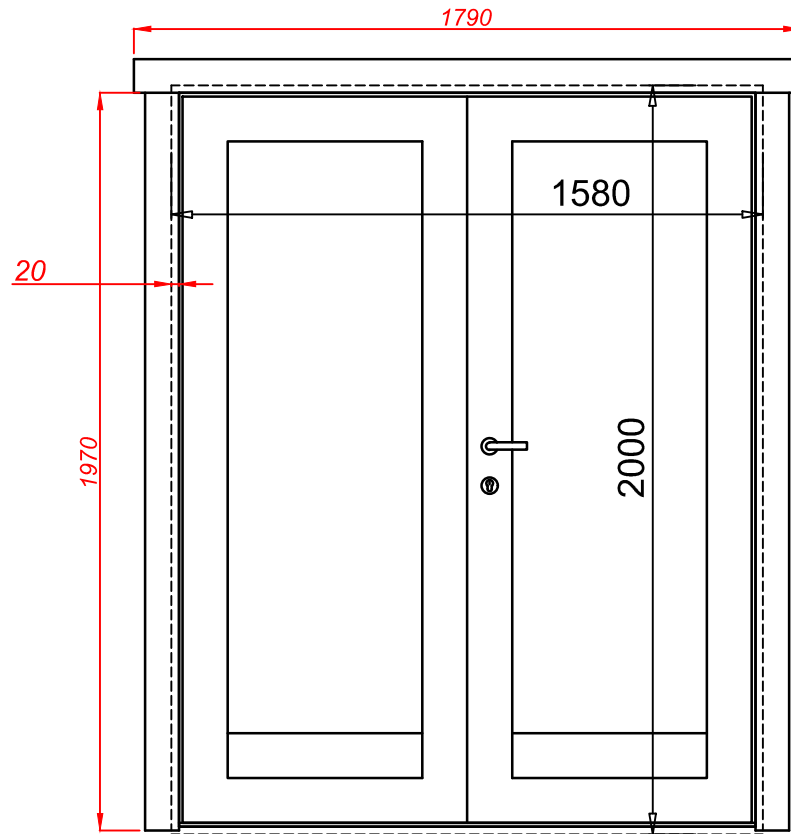
WALL D



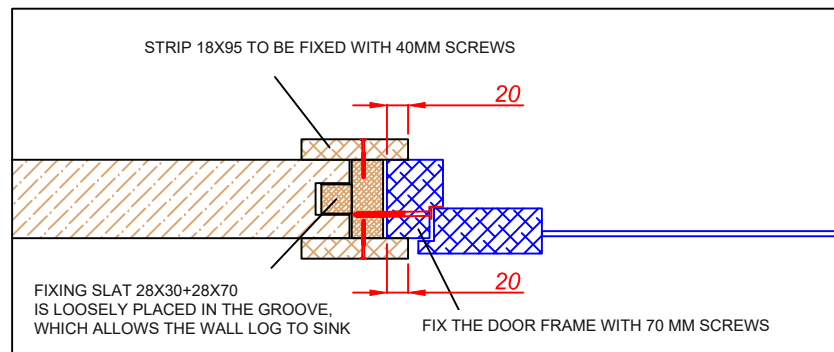
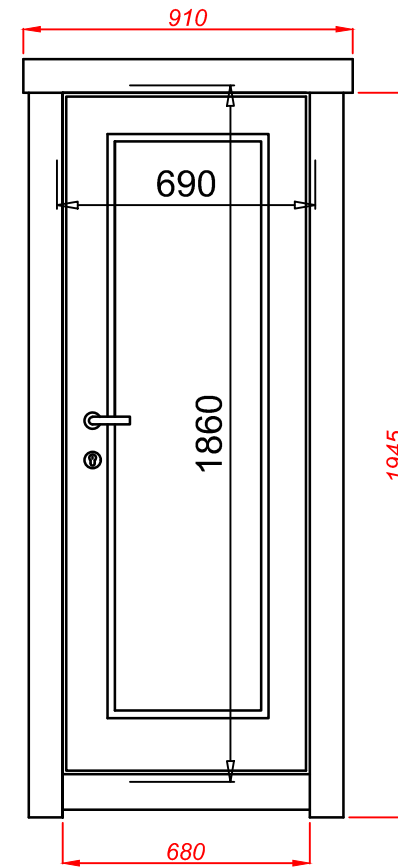
PLAN OF CEILING BEAMS

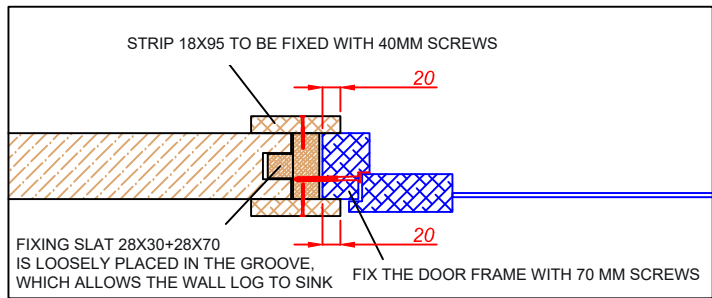
DOOR MOLDINGS

DOOR 1580x2000 - 1 Pcs



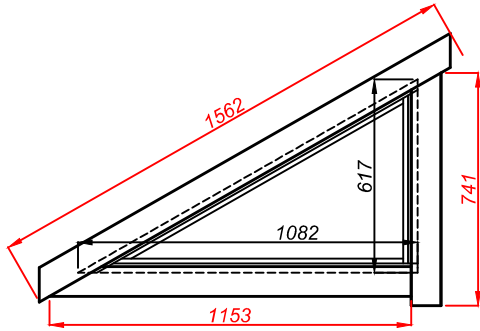
DOOR 690x1860 - 1 Pcs



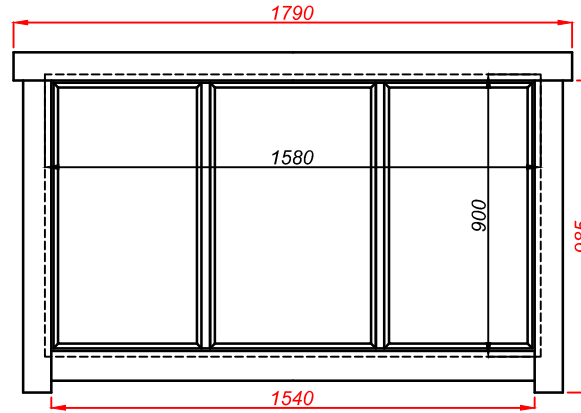


WINDOW MOLDINGS

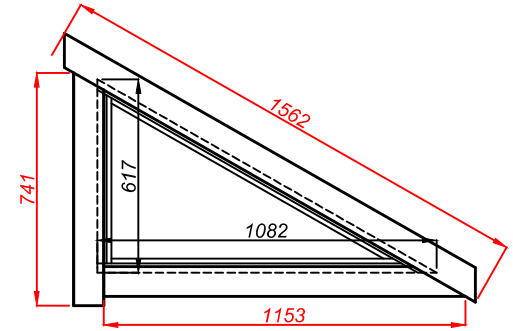
WINDOW 1082x617



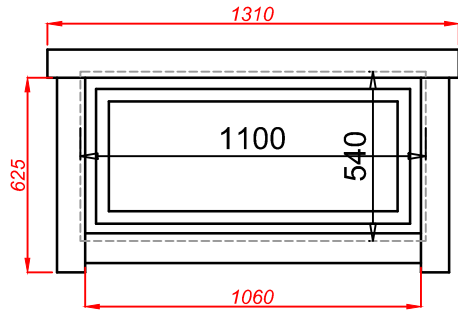
WINDOW 1580x900



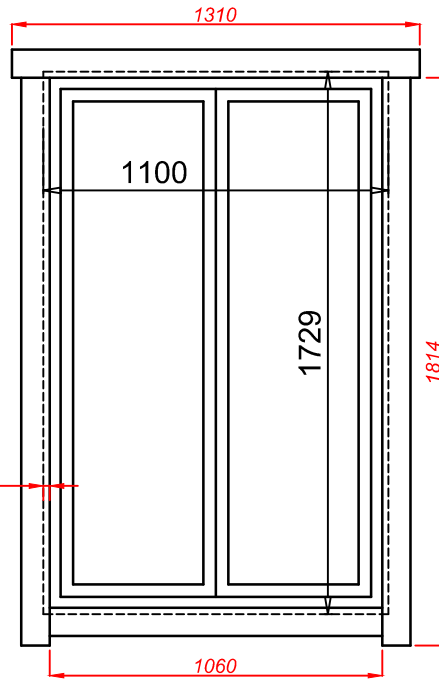
WINDOW 1082x617



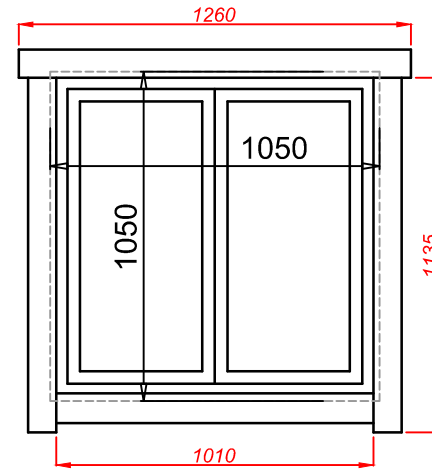
WINDOW 1100x540



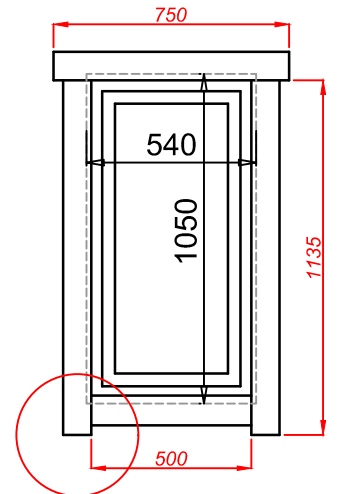
WINDOW 1100x1729



WINDOW 1050x1050

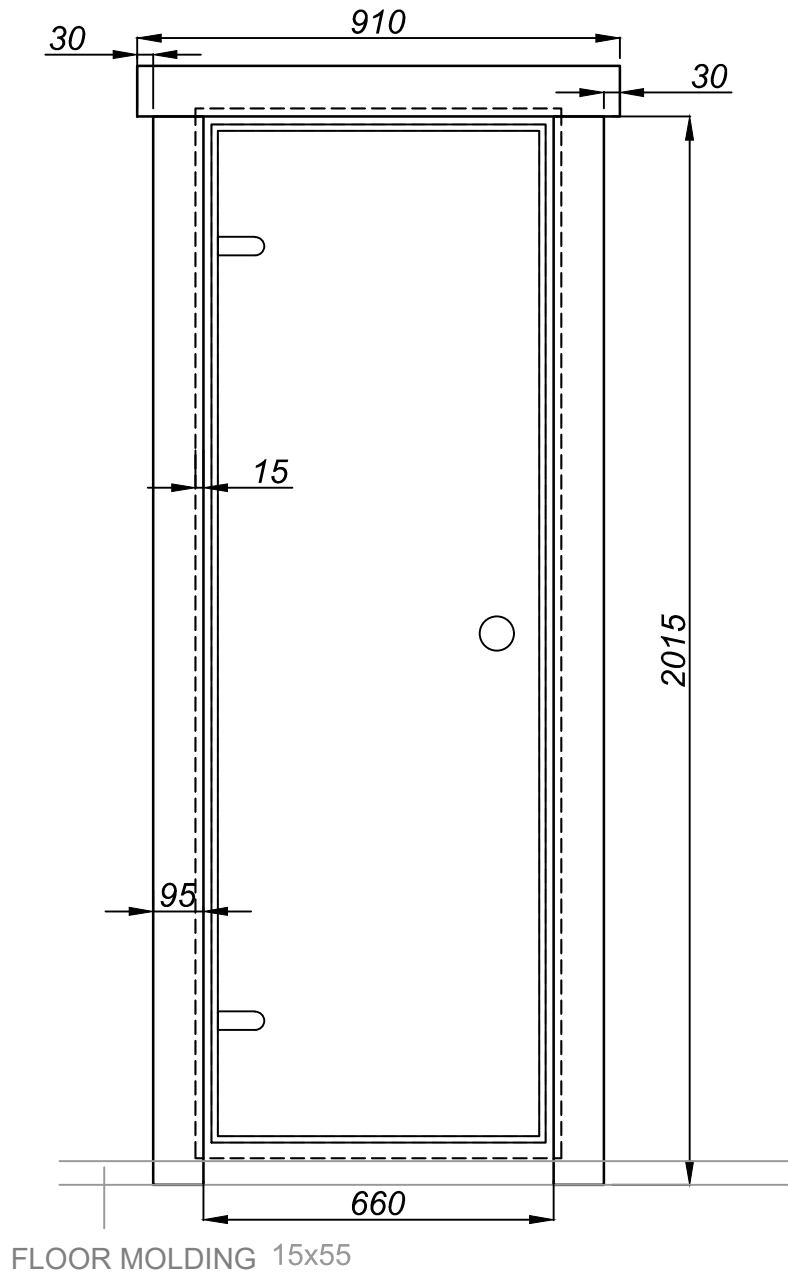


WINDOW 540x1050

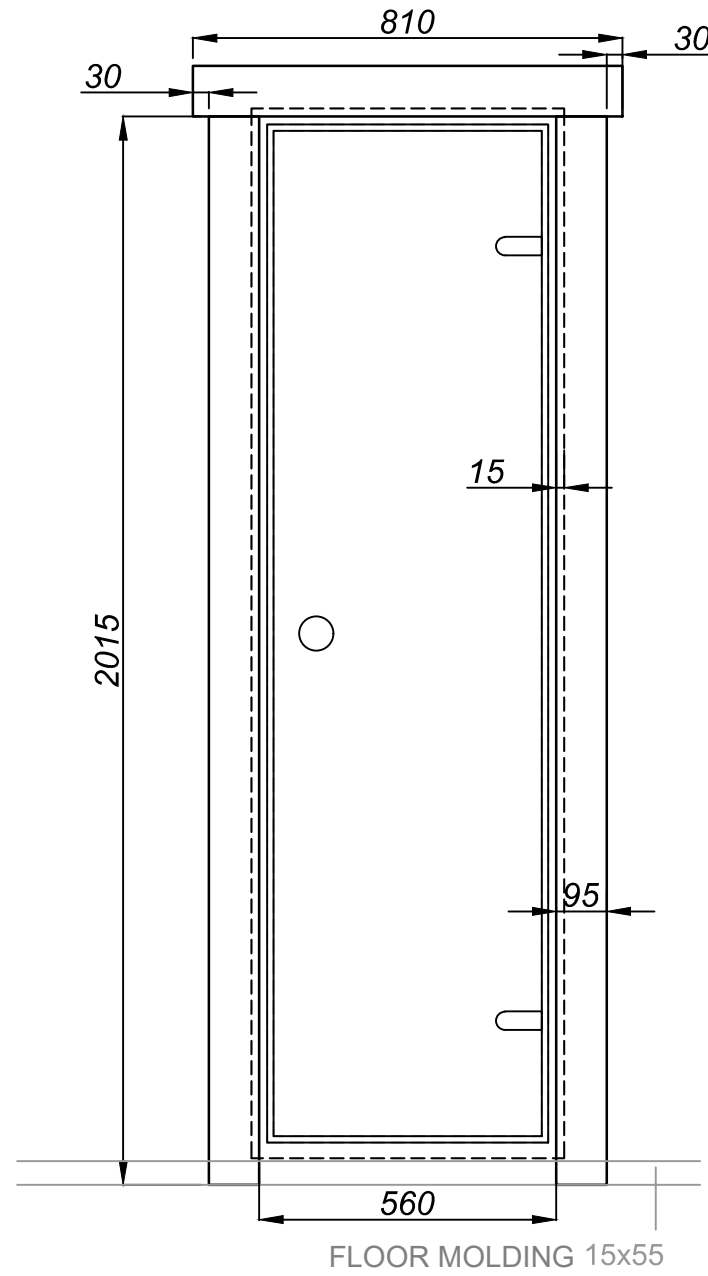


DURING INSTALLATION, CUT THE MOLDINGS SHORTER AT THE SAUNA BENCH

GLASS DOOR 690x1980

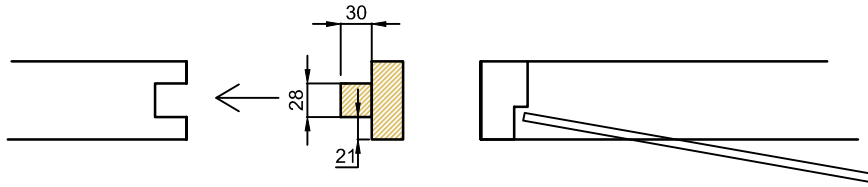


GLASS DOOR 590x1980



DOORS AND WINDOWS

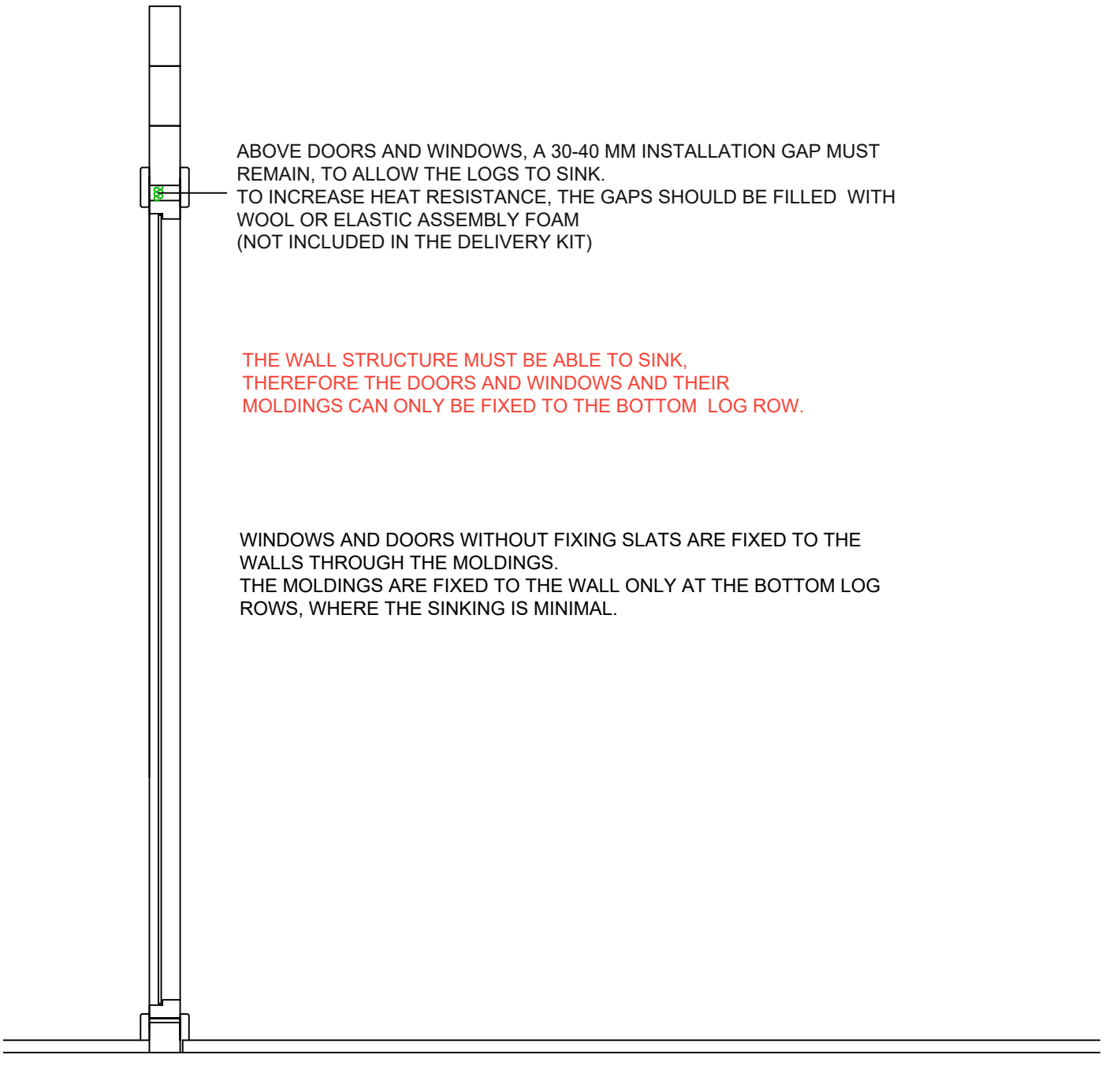
A FIXING SLAT MUST BE ADDED TO THE DOOR AND WINDOW OPENINGS THAT HAVE A FIXING GROOVE



ABOVE DOORS AND WINDOWS, A 30-40 MM INSTALLATION GAP MUST REMAIN, TO ALLOW THE LOGS TO SINK. TO INCREASE HEAT RESISTANCE, THE GAPS SHOULD BE FILLED WITH WOOL OR ELASTIC ASSEMBLY FOAM (NOT INCLUDED IN THE DELIVERY KIT)

THE WALL STRUCTURE MUST BE ABLE TO SINK, THEREFORE THE DOORS AND WINDOWS AND THEIR MOLDINGS CAN ONLY BE FIXED TO THE BOTTOM LOG ROW.

WINDOWS AND DOORS WITHOUT FIXING SLATS ARE FIXED TO THE WALLS THROUGH THE MOLDINGS. THE MOLDINGS ARE FIXED TO THE WALL ONLY AT THE BOTTOM LOG ROWS, WHERE THE SINKING IS MINIMAL.



ADJUSTING THE DOOR HINGES



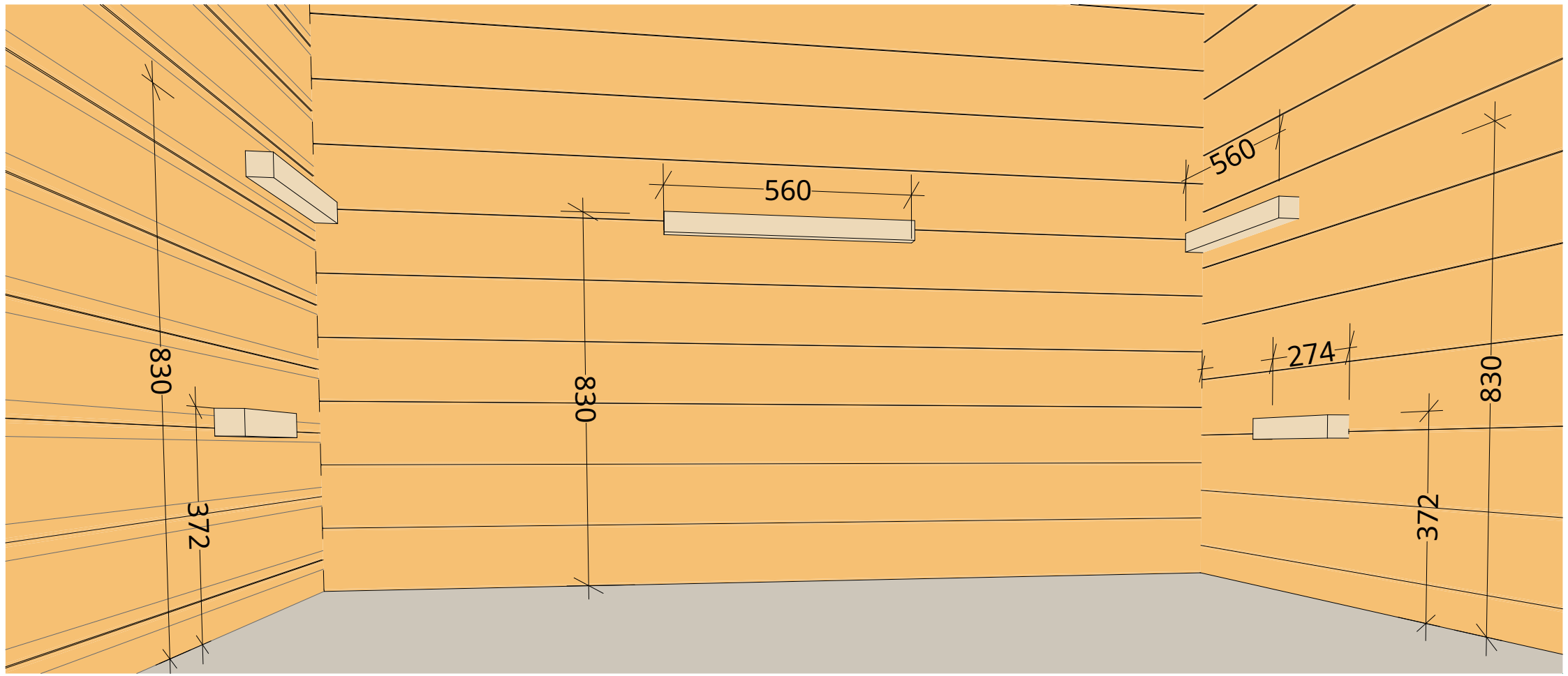
REMOVE HINGE COVERS,
BY PUSHING THE COVER UP/DOWN



1 - DOOR LEAF LEFT/RIGHT

2 - DOOR LEAF UP/DOWN

3 - DOOR LEAF FROM FRAME
AWAY/NEARER



830

372

830

560

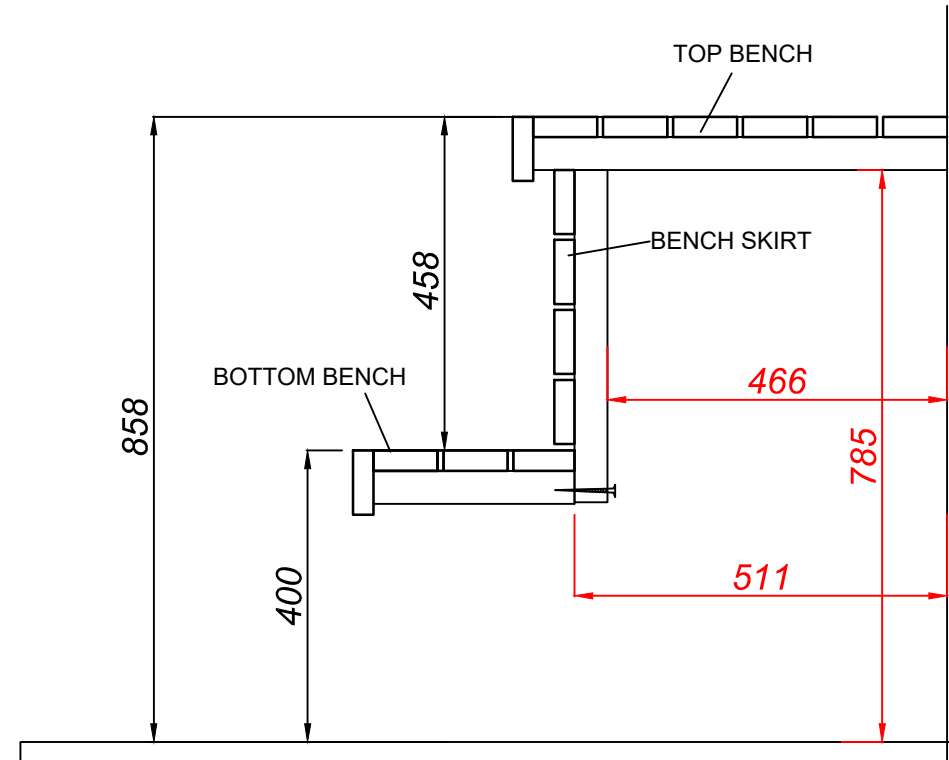
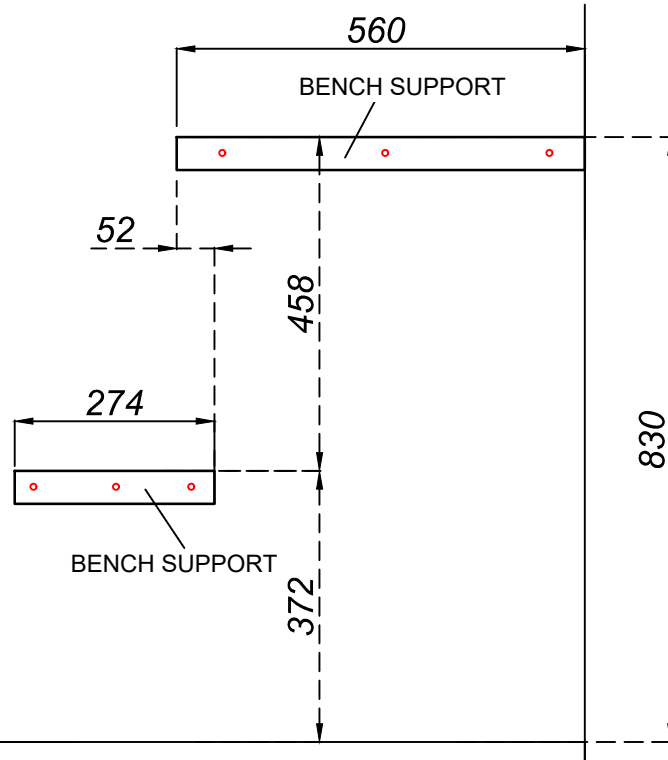
560

274

372

830

SAUNA BENCH SUPPORTS



1. ATTACH THE HORIZONTAL SUPPORTS TO THE WALL
2. INSTALL THE BENCH SKIRT TO THE SIDE WALLS
3. PLACE THE BENCHES ON TOP OF THE SUPPORTS
4. FIX THE BENCH FRAME TO THE SIDES OF THE SUPPORTS WITH 80 MM SCREWS
5. INSTALL A VERTICAL SUPPORT (ADJUSTABLE LEG) IN THE CENTER OF THE BENCH

FIXING THE LADDER

Fix the upper end of the ladder with a 35x35x130 countersunk angle

Do not tighten the screws that are attached to the sinking gap until the end. The screw must remain a few cm away from the edge of the gap, allowing the building to sink in relation to the stairs if necessary.

