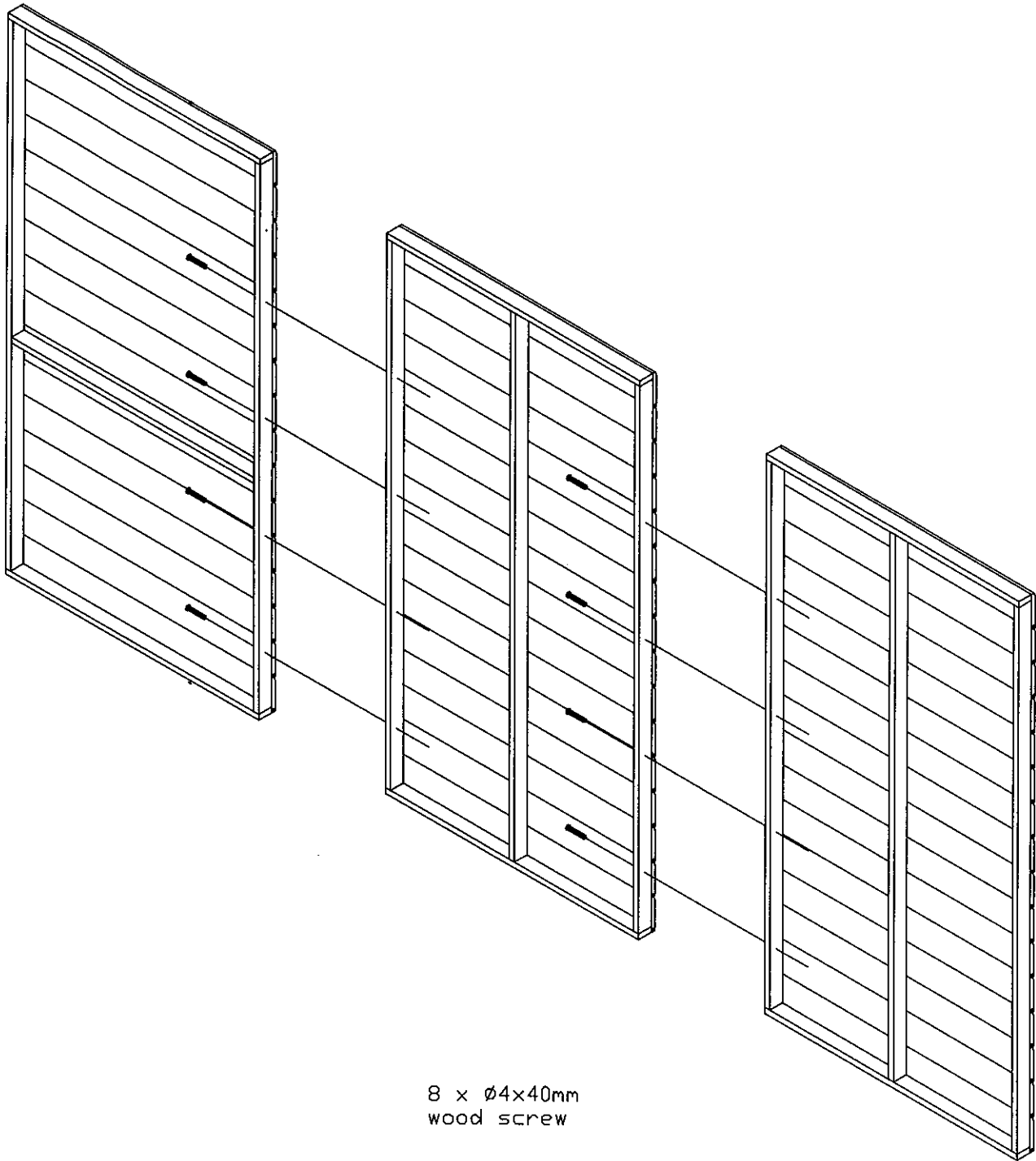


*Bielefelder*



8 x Ø4x40mm  
wood screw

Article:

Kip - Konijn - Vogelkooi

Article nr:

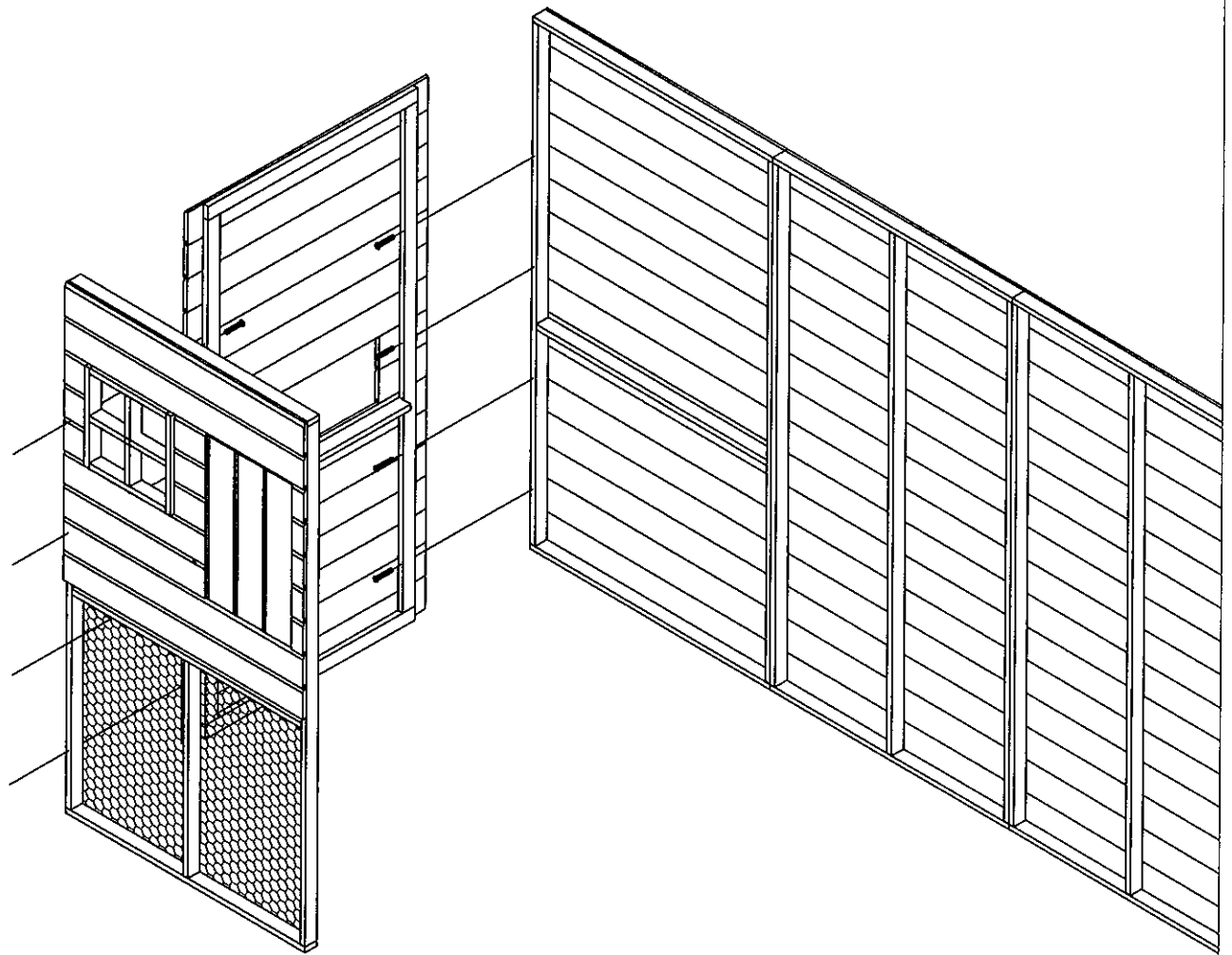
69

Last modified:

10.01.2011

Page:

2/14



8 x  $\varnothing$ 4x70mm  
wood screw

Article:

Kip - Konijn - Vogelkooi

Article nr:

69

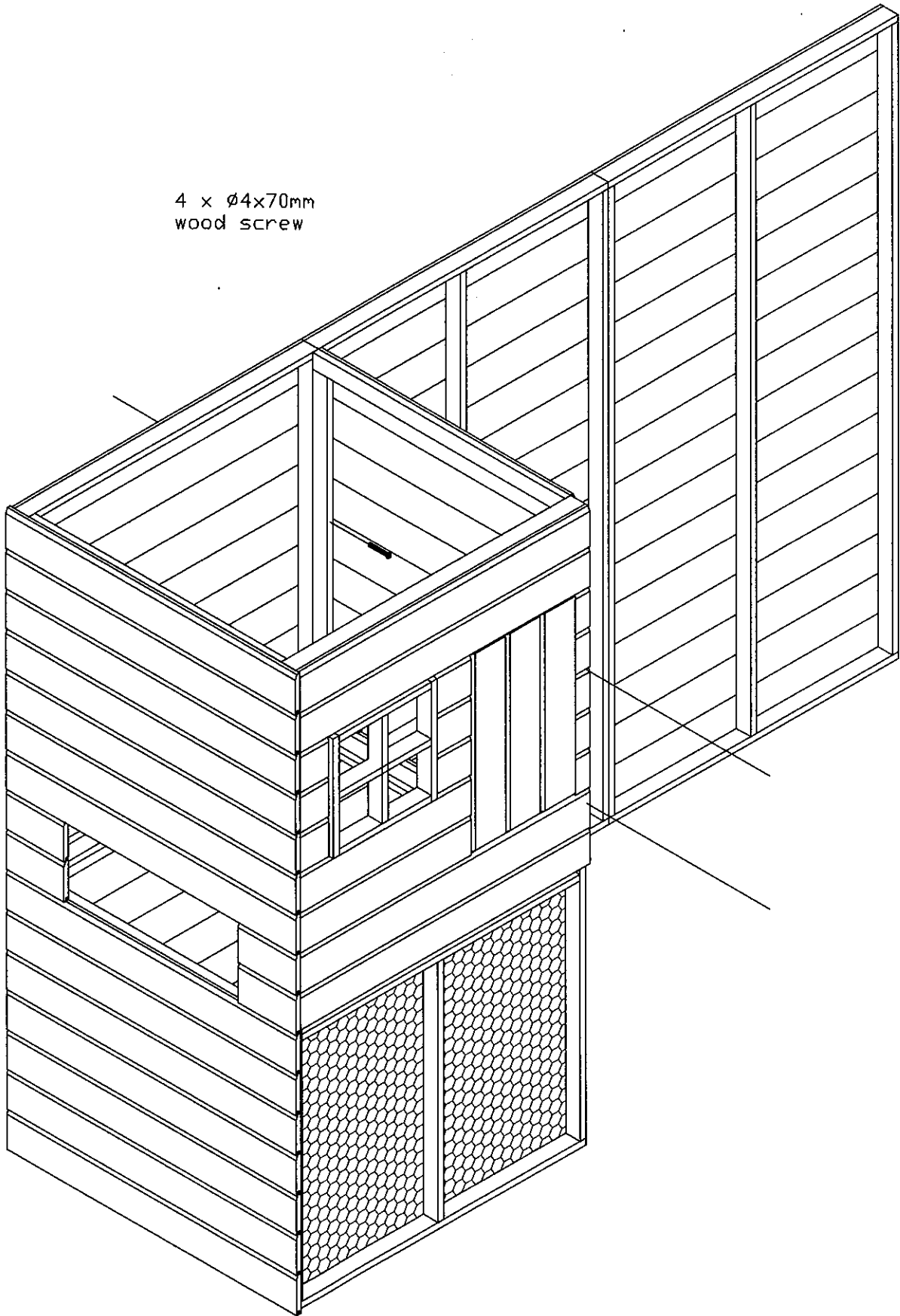
Last modified:

10.01.2011

Page:

3/14

4 x Ø4x70mm  
wood screw



Article:

Kip - Konijn - Vogelkooi

Article nr:

69

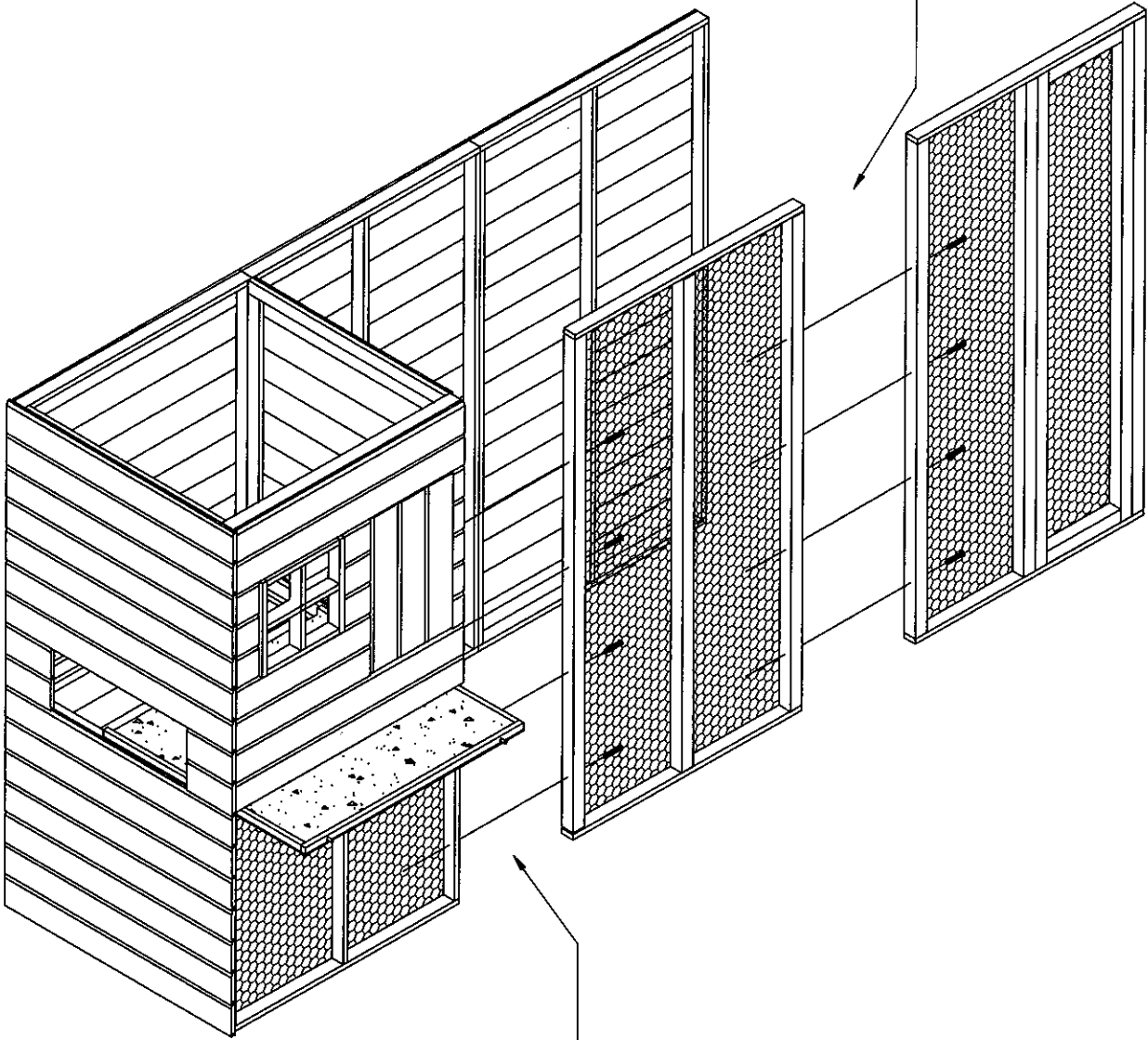
Last modified:

10.01.2011

Page:

4/14

4 x Ø4x70mm  
wood screw



4 x Ø4x60mm  
wood screw

Article:

Kip - Konijn - Vogelkooi

Article nr:

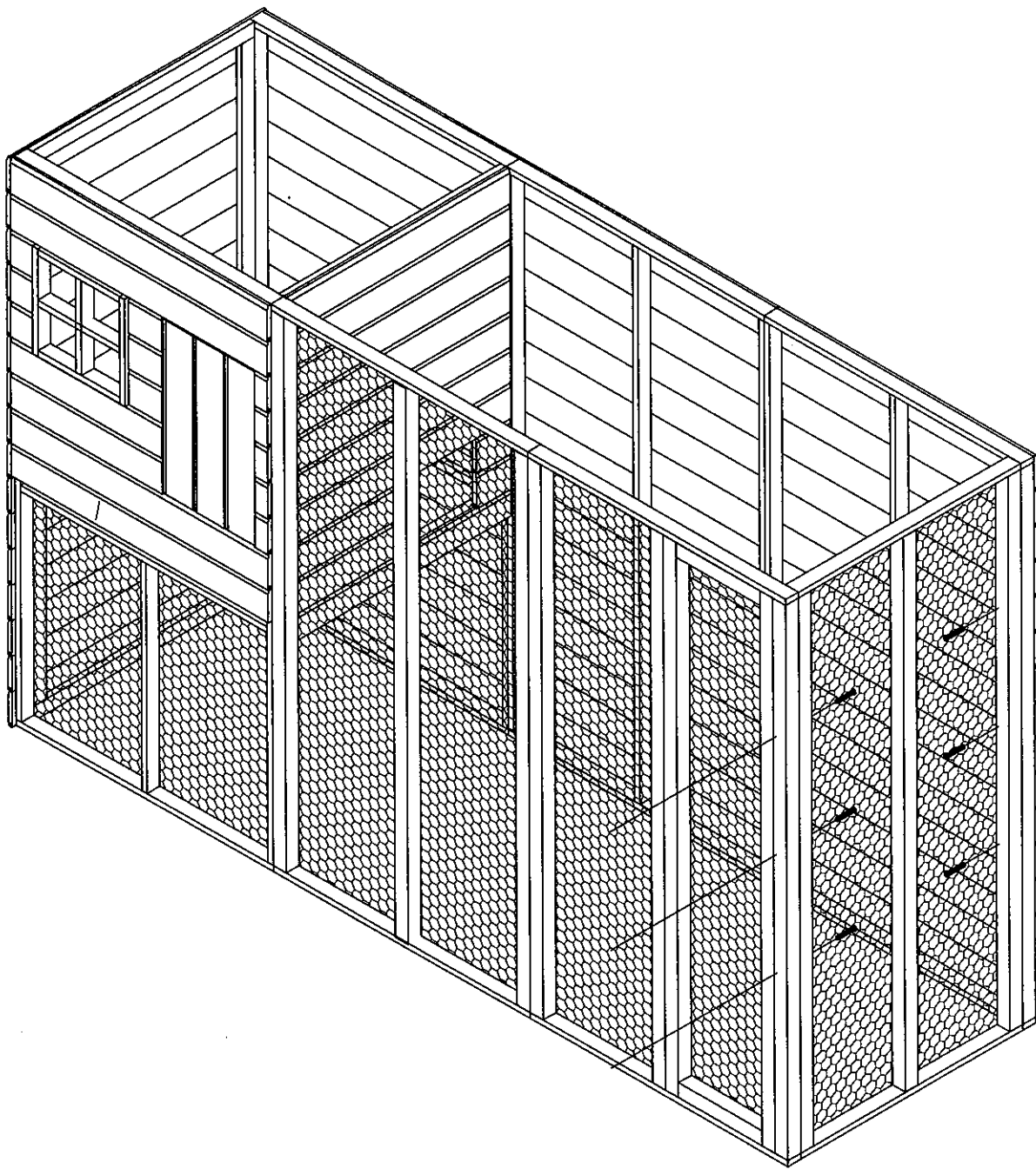
69

Last modified:

10.01.2011

Page:

5/14



6 x  $\varnothing$ 4x70mm  
wood screw

Article:

Kip - Konijn - Vogelkooi

Article nr:

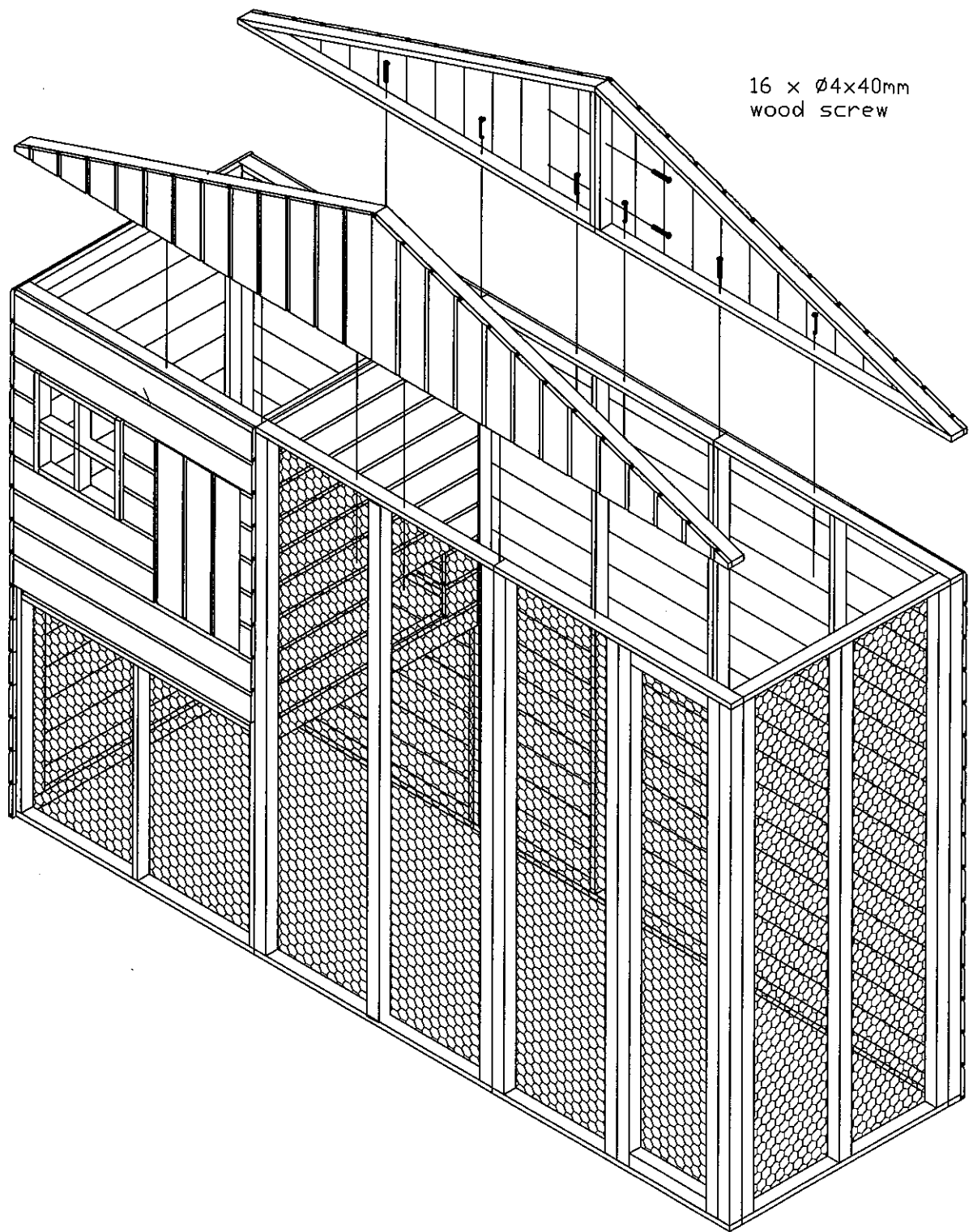
69

Last modified:

10.01.2011

Page:

6/14



16 x Ø4x40mm  
wood screw

Article:

Kip - Konijn - Vogelkooi

Article nr:

69

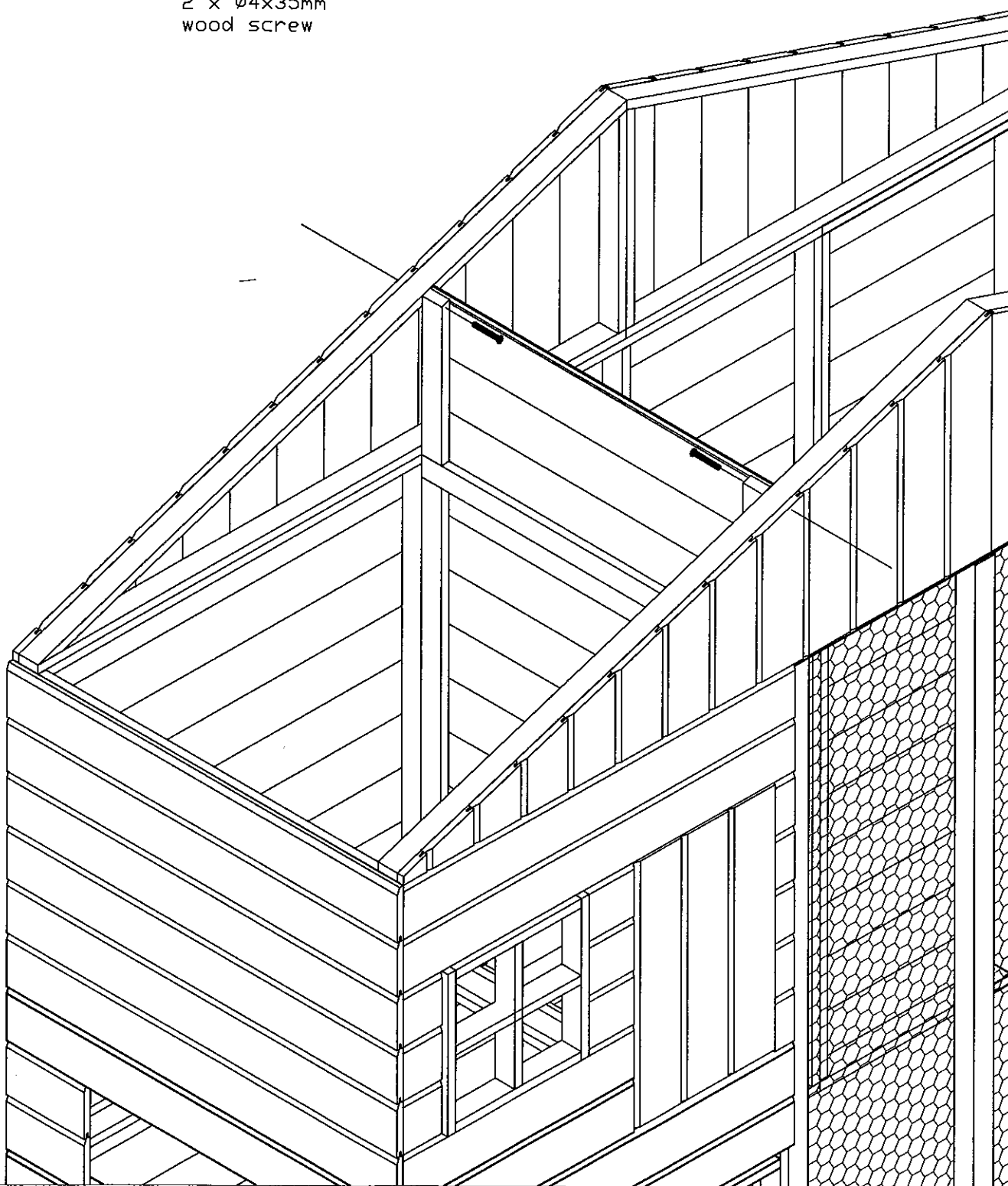
Last modified:

10.01.2011

Page:

7/14

2 x Ø4x35mm  
wood screw



Article:

Kip - Konijn - Vogelkooi

Article nr:

69

Last modified:

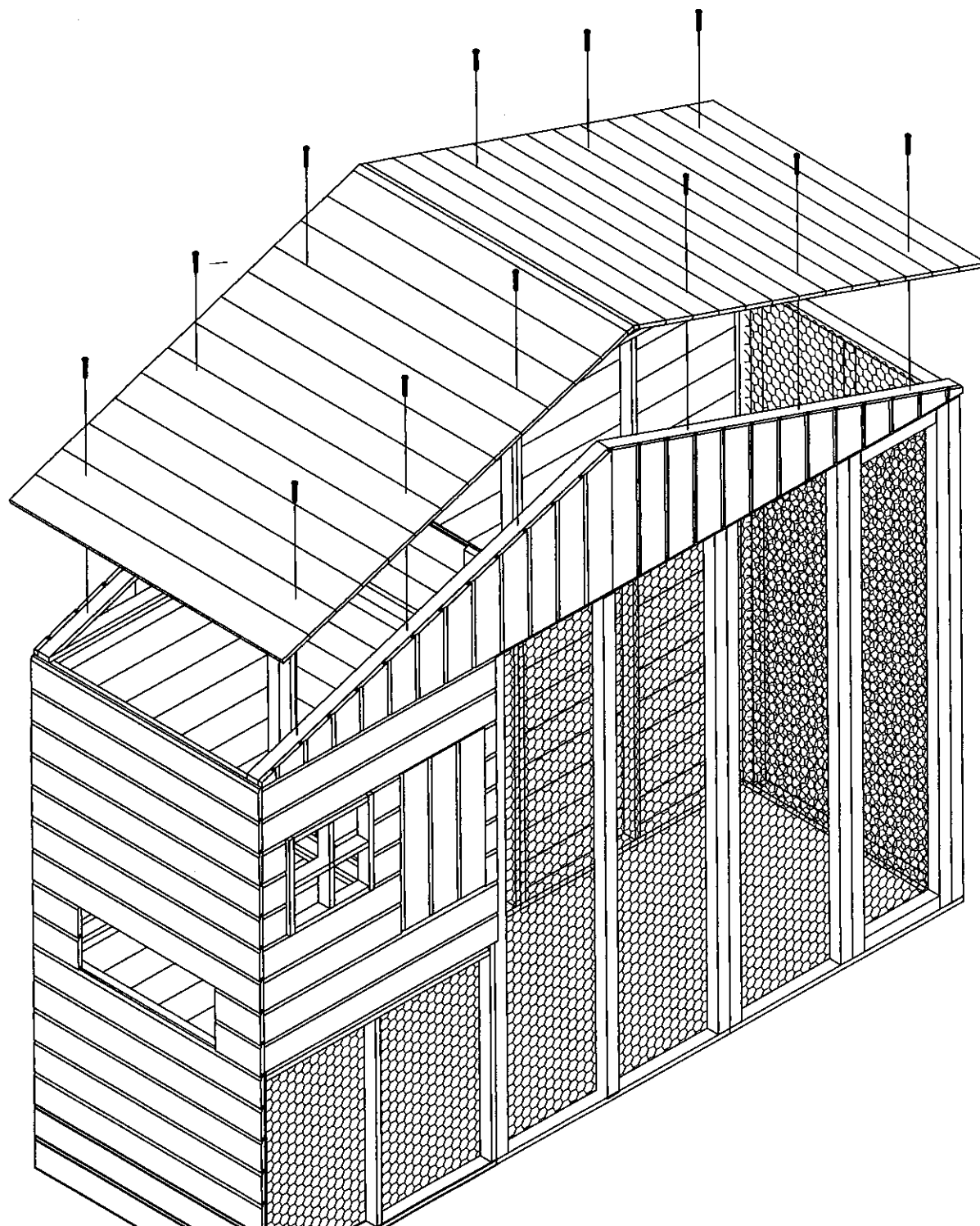
10.01.2011

Page:

8/14



12 x Ø4x40mm  
wood screw



Article:

Kip - Konijn - Vogelkooi

Article nr:

69

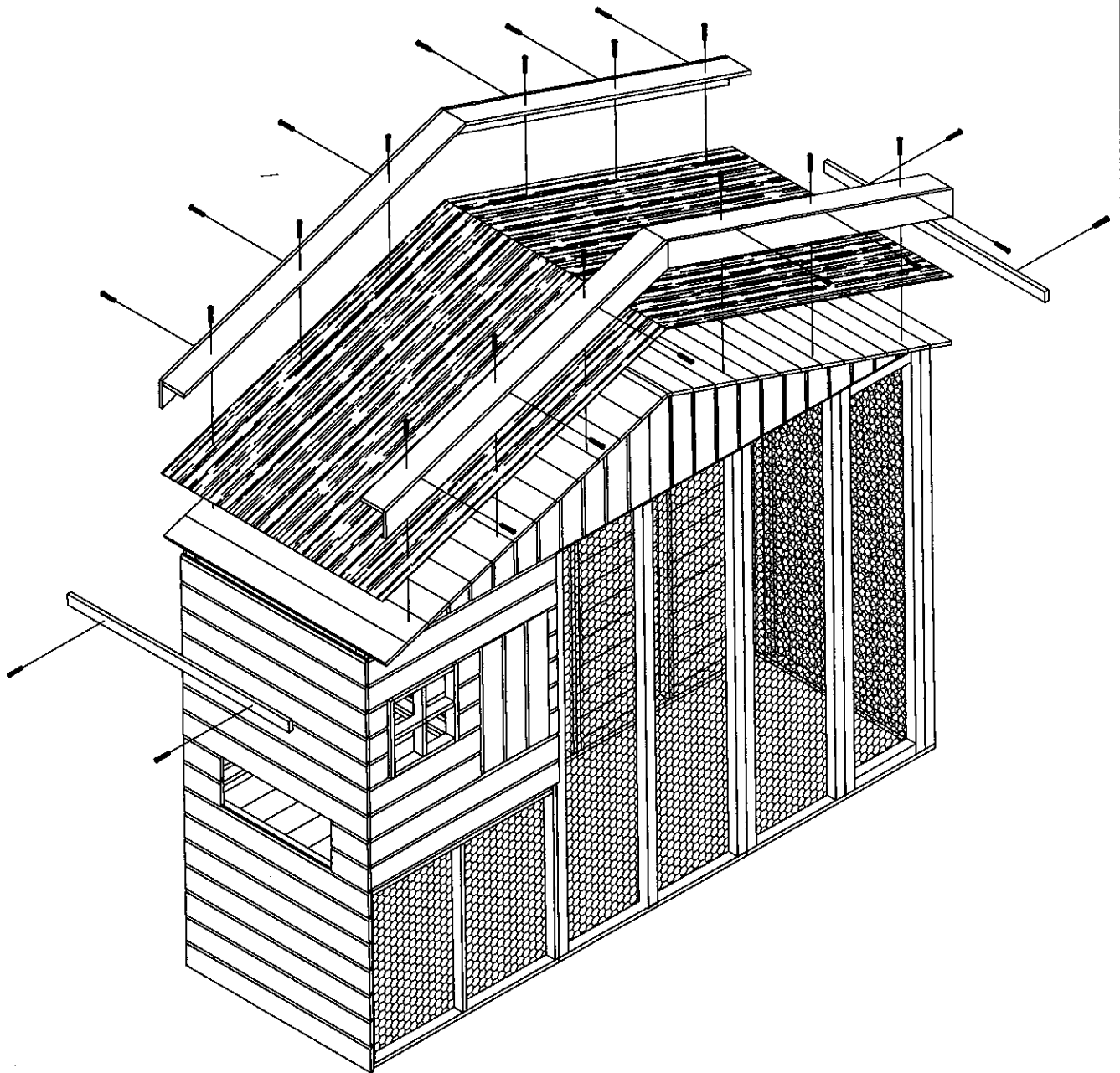
Last modified:

10.01.2011

Page:

9/14

28 x Ø4x40mm  
wood screw



Article:

Kip - Konijn - Vogelkooi

Article nr:

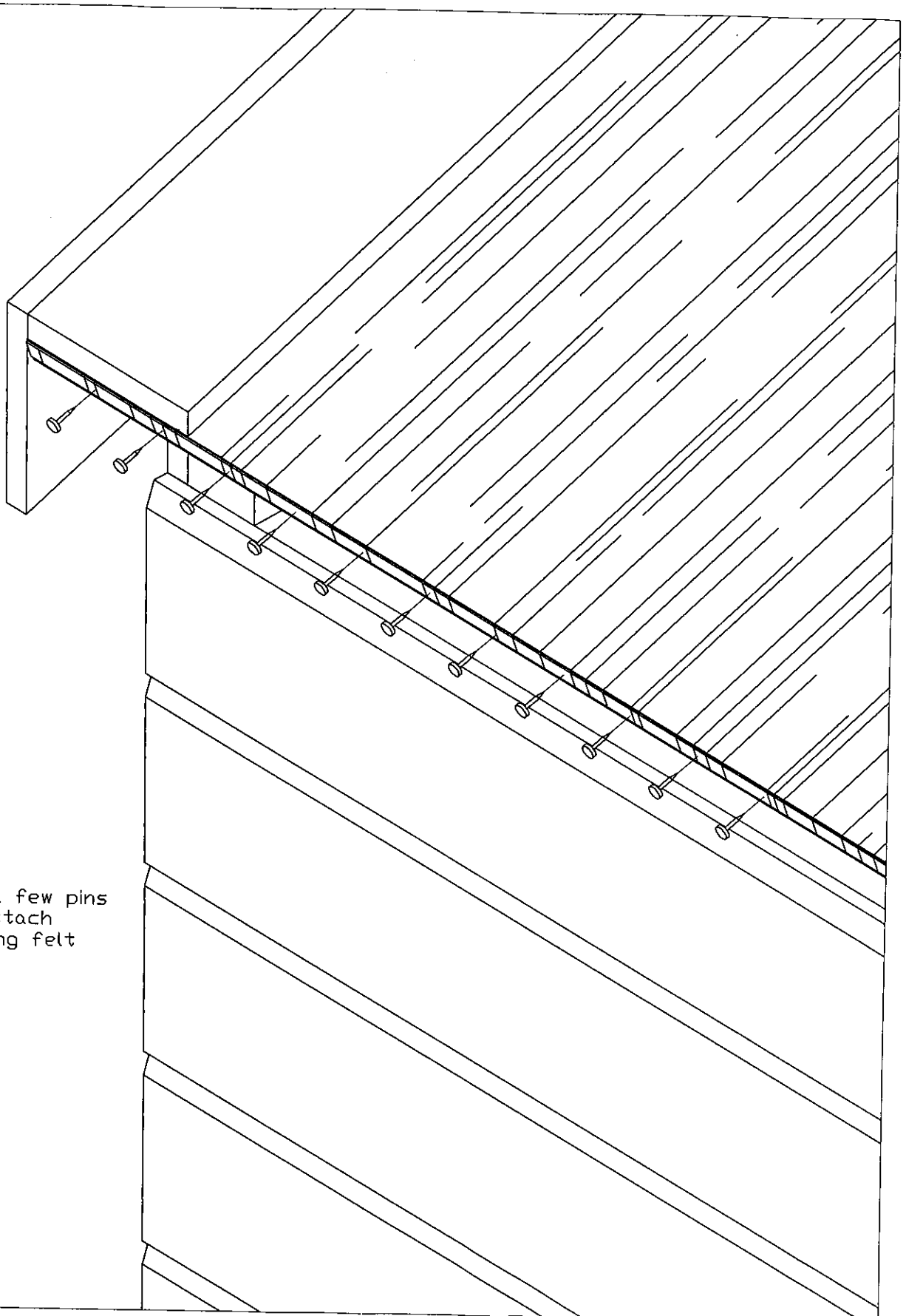
69

Last modified:

10.01.2011

Page:

10/14



Use a few pins  
to attach  
roofing felt

Article:

Kip - Konijn - Vogelkooi

Article nr:

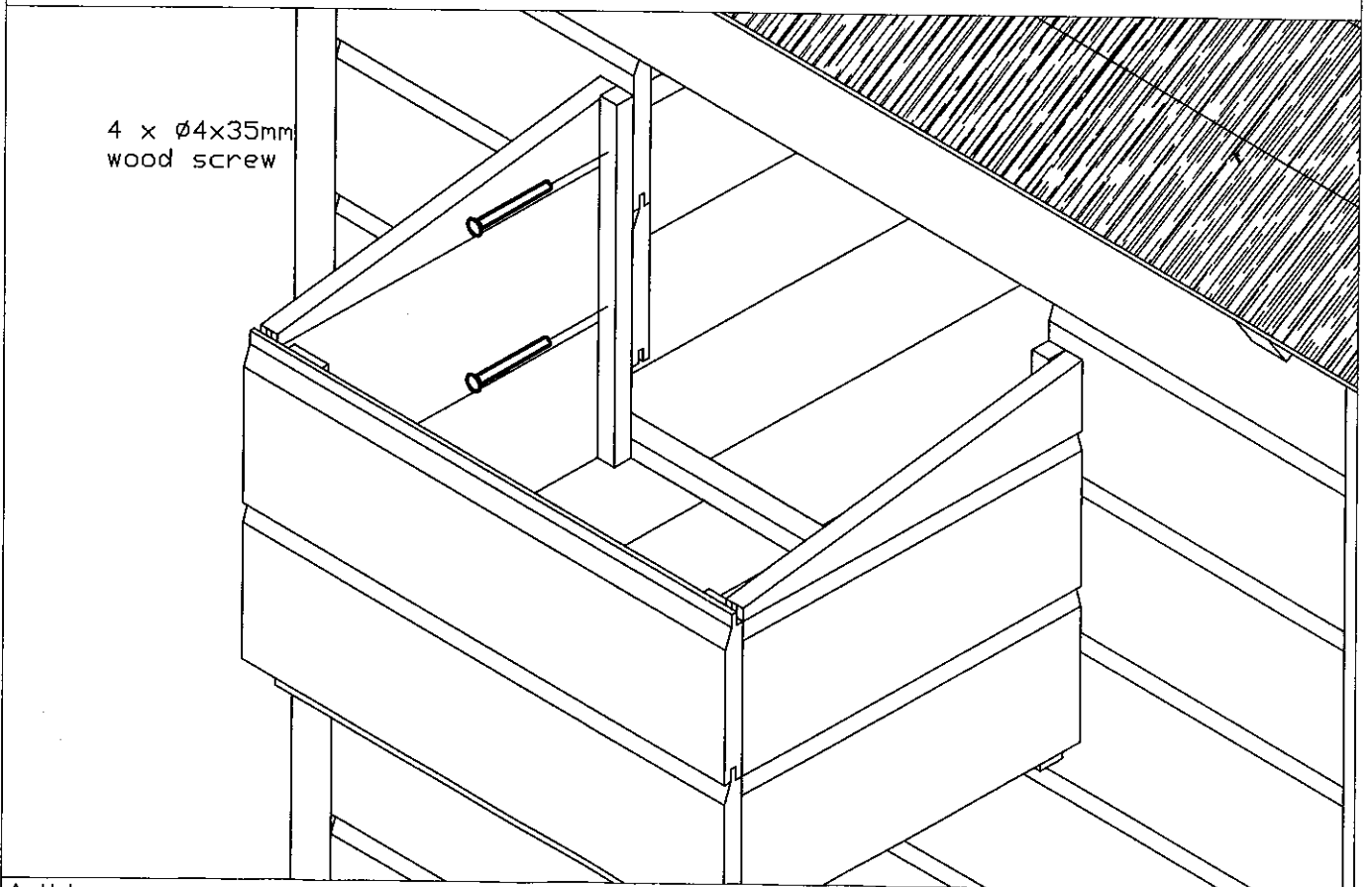
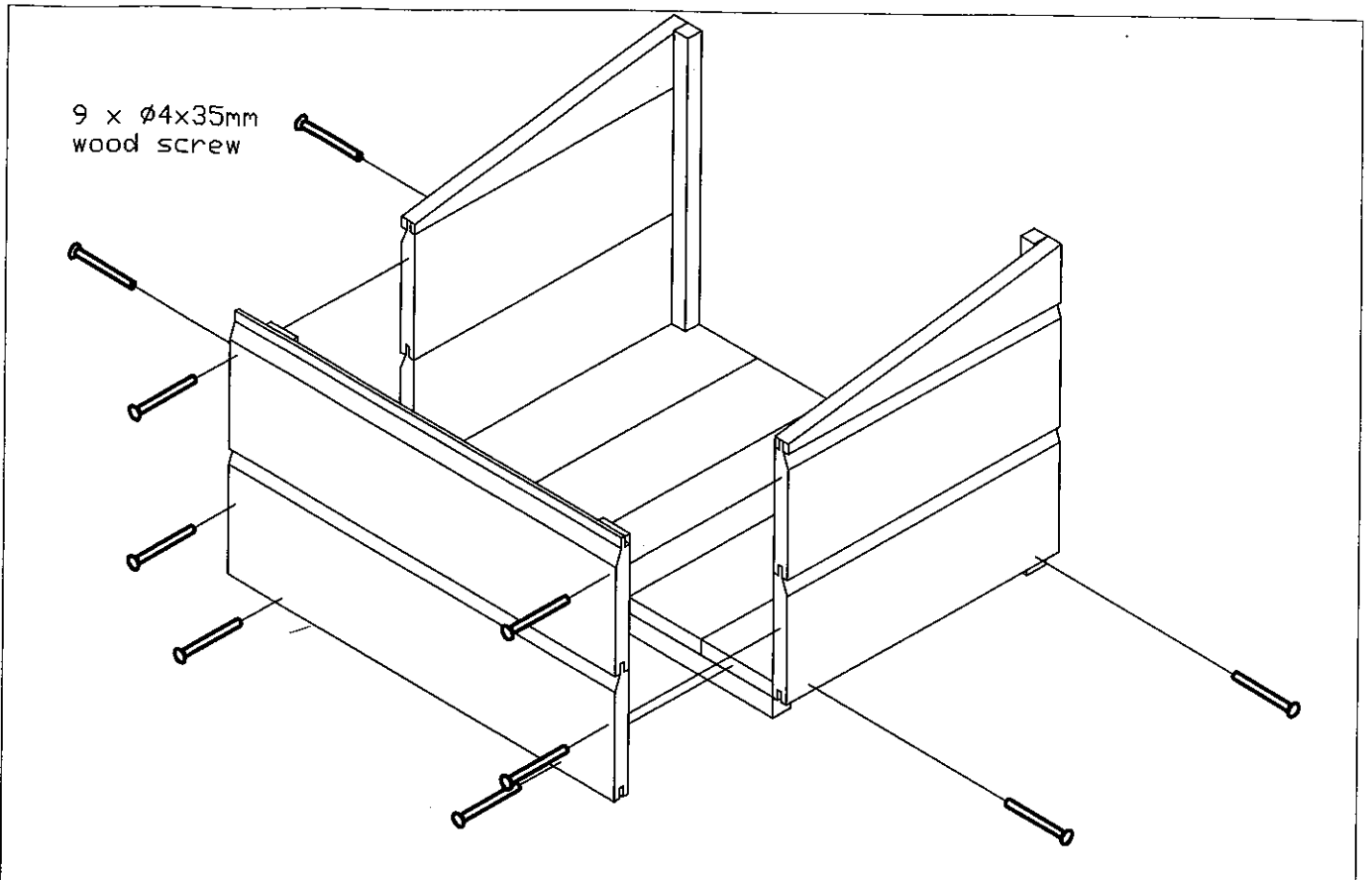
69

Last modified:

10.01.2011

Page:

11/14



Article:

Kip - Konijn - Vogelkooi

Article nr:

69

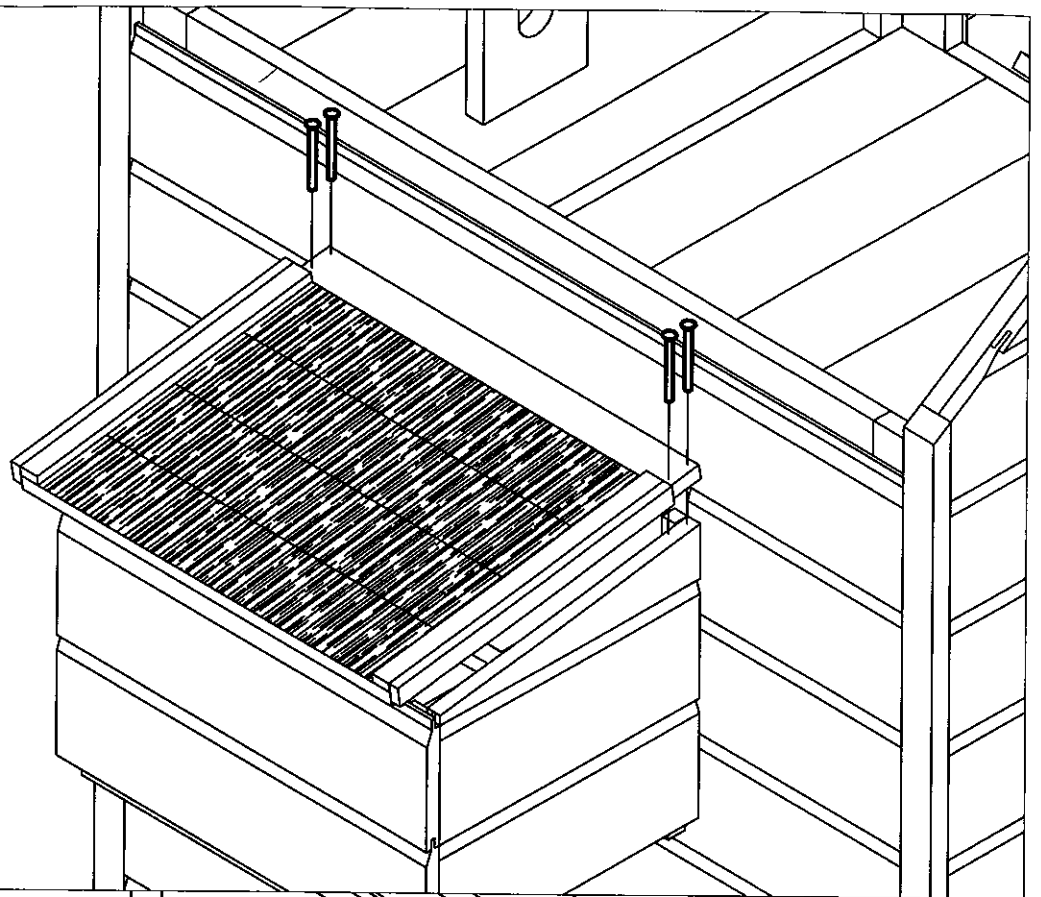
Last modified:

10.01.2011

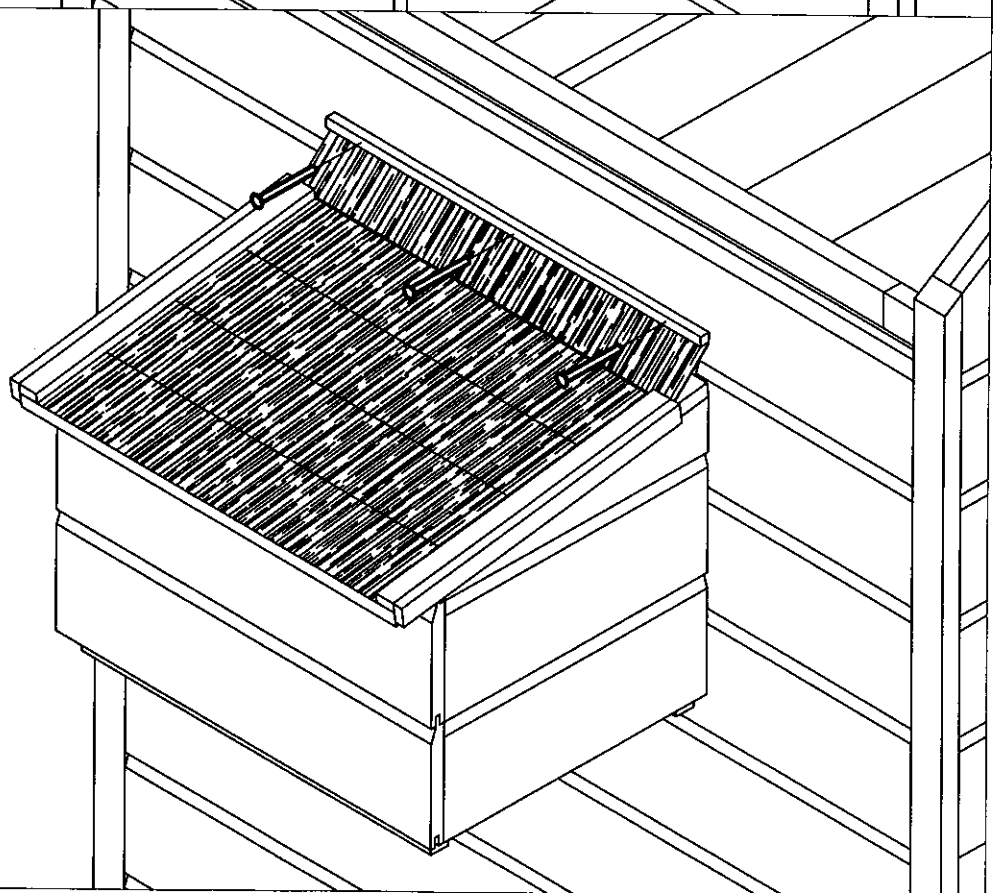
Page:

12/14

4 x Ø4x35mm  
wood screw



3 x Ø4x35mm  
wood screw



Article:

Kip - Konijn - Vogelkooi

Article nr:

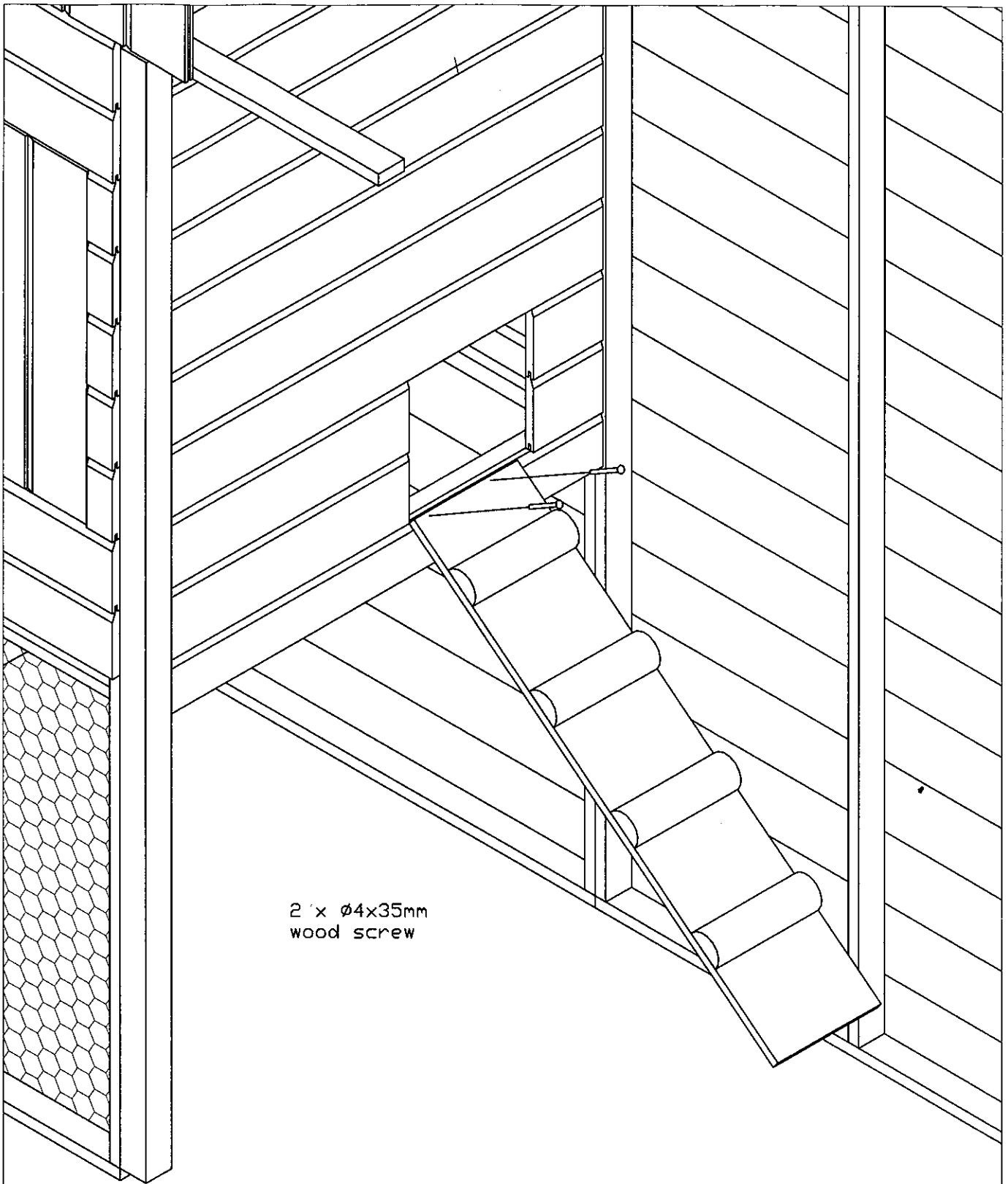
69

Last modified:

10.01.2011

Page:

13/14



2 x Ø4x35mm  
wood screw

Article:

Kip - Konijn - Vogelkooi

Article nr:

69

Last modified:

10.01.2011

Page:

14/14