

# FARMHOUSE 60 X



- Assembly on a vanity unit
- Installation in natural or artificial stone countertops recommended
- Minimum width of undersink cabinet: 60 cm
- **Note for planning:** The rear is unglazed and the projection is 50 cm. Overhang varies depending on the furniture manufacturer.
- Compatible with all soap dispensers on page 93
- Further selection of cover caps for turn lever on page 97



| Ref.       | Description (for XX, please enter colour number)       | € excl. VAT |             |
|------------|--|-------------|-------------|
|            |  | Classicline | Premiumline |
| 6360 01 XX | Single-bowl Sink inclusive Waste system, hand-operated | 801,00      | 898,00      |
| 6360 02 XX | Single-bowl Sink inclusive Waste system, pop-up        | 898,00      | 995,00      |

## Classicline CeramicPlus



## Premiumline CeramicPlus

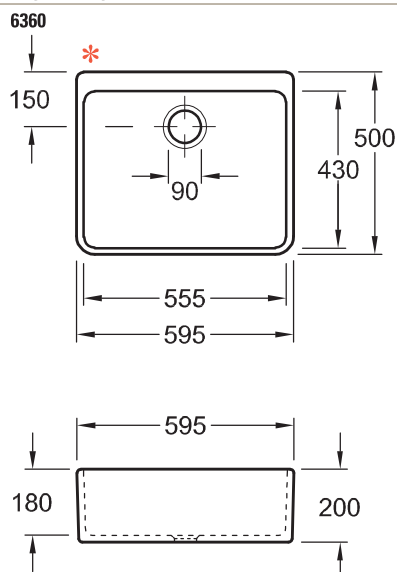


| Ref.       | Optional accessories / spare parts    | € excl. VAT |
|------------|---------------------------------------|-------------|
| 9K08 00 K1 | Rolling mat, stainless steel          | 118,-       |
| 9624 15 LC | Cap waste cover, stainless steel      | 37,-        |
| 8270 00 61 | Waste system hand-operated, chrome    | 68,-        |
| 8286 10 00 | Waste system pop-up without Cover cap | 165,-       |



## View of holes for tap fittings

## Engineering data



\* unglazed edge  
Please refer to the assembly instructions

All dimensions in mm