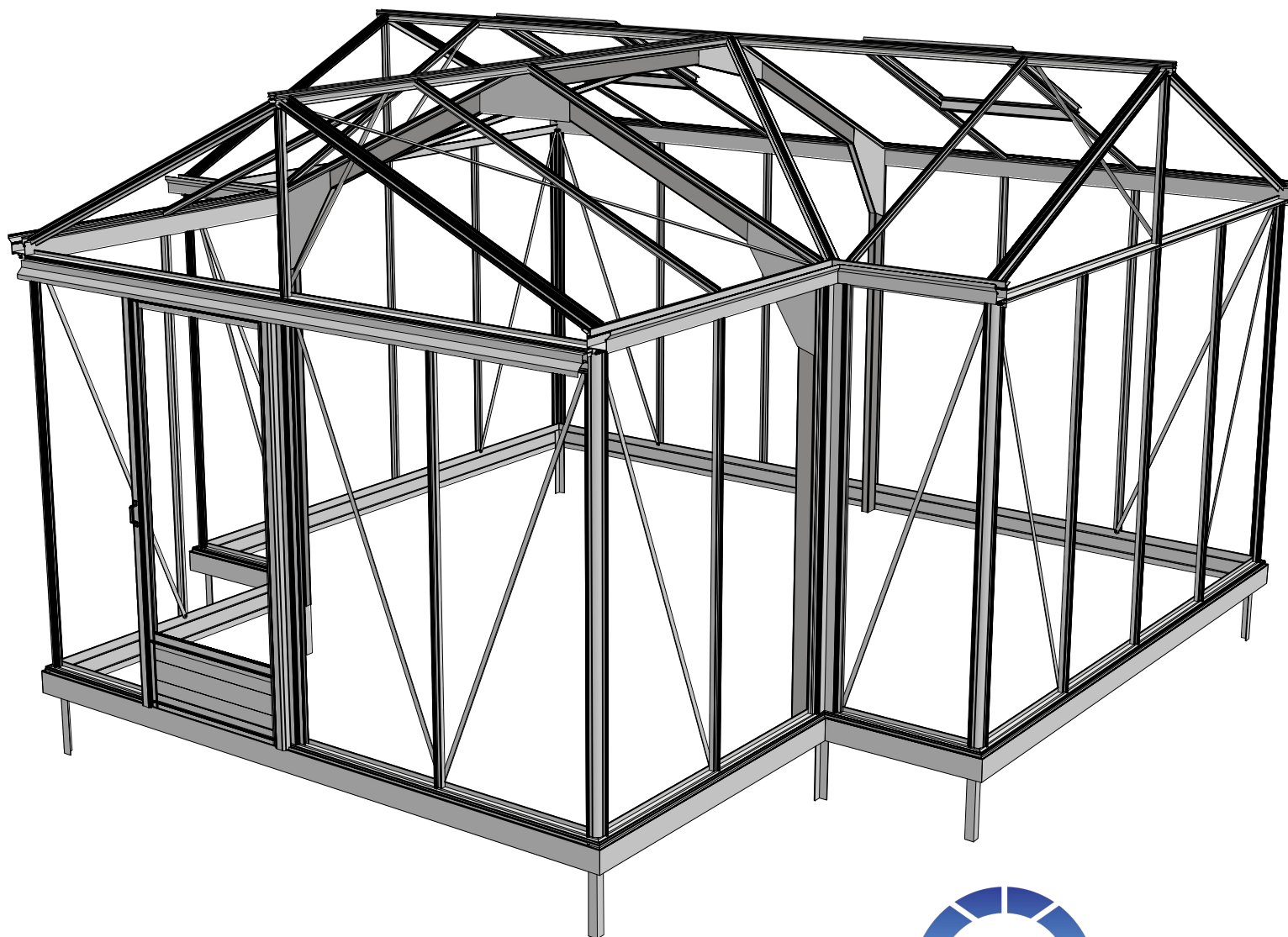
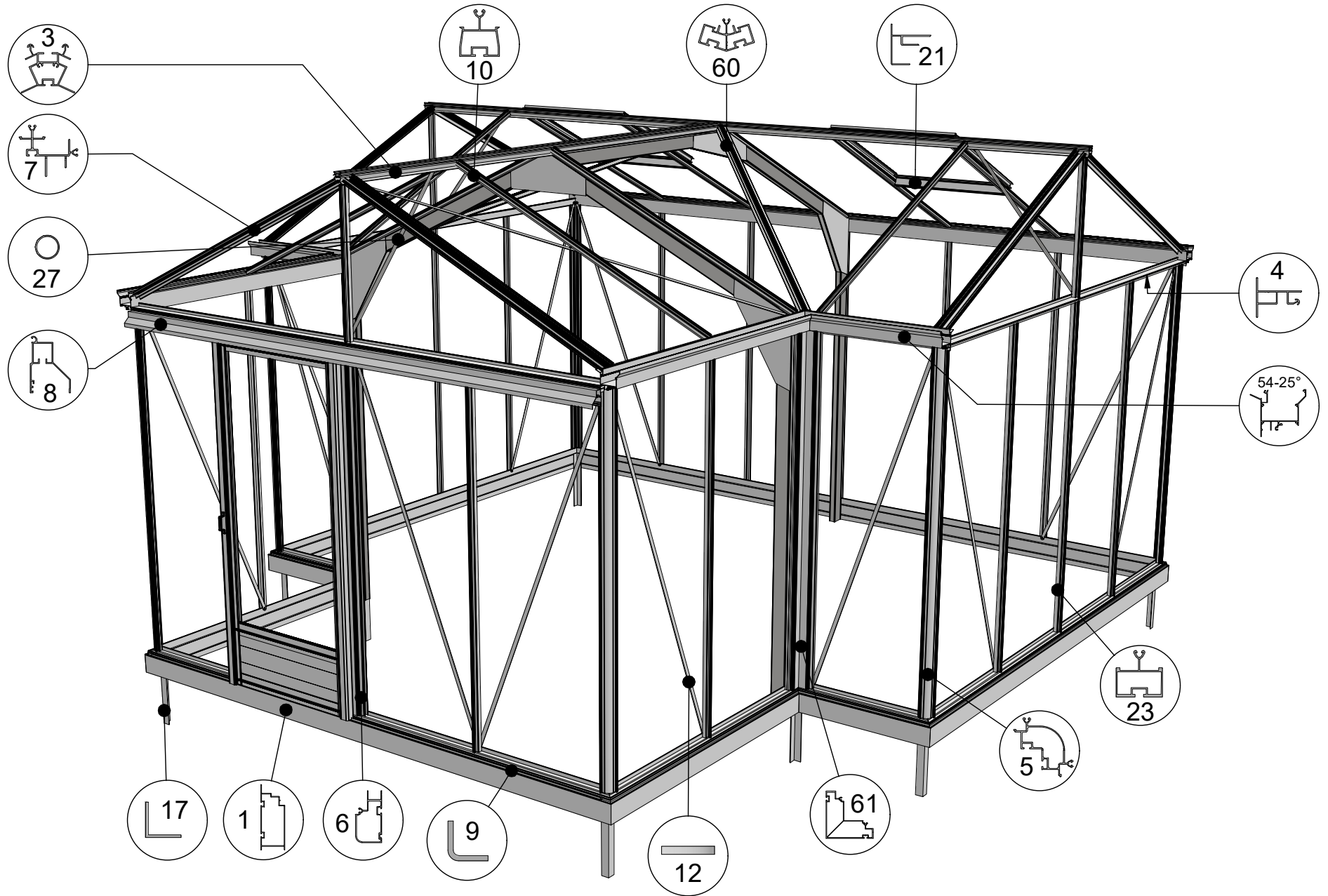
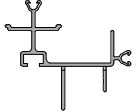
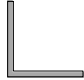
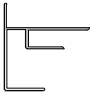

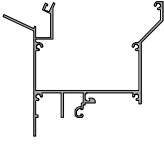
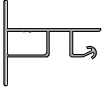
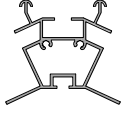

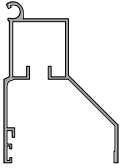
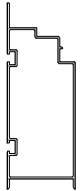

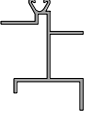
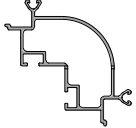

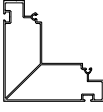
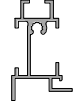
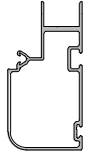
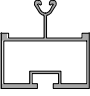

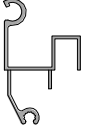


# T-Classic 3,09

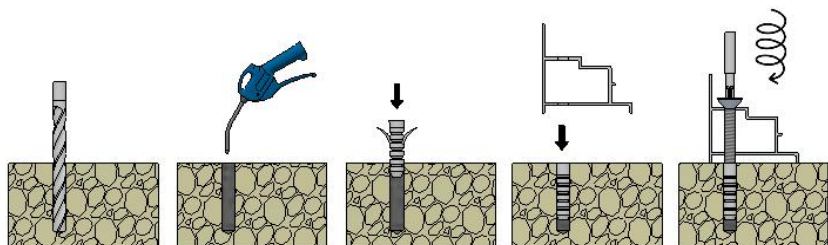



08-11-2023




Profile list											
-	NR	Profile NR	-	NR	Profile NR	-	NR	Profile NR	-	NR	Profile NR
	7	7151		17	L40/40/2		21	29577		12	7070
	54	8478		4	17549		3	8642		27	B18
	8	7633		1	17538		9	L15/15/2		19	17543
	5	17548		10	17541		61	13994		20T	28513
	6	9915		23	17703		60	13995		18	17542

- Attention! Check inside the foundation for more profiles.
- Please fasten screws and nuts hand-tight.
- Achtung! Prüfen sie das fundament für weitere profile.
- Schraube und Mutter bitte handfest festziehen.
- Opgelet! kijk in de fundering voor andere profielen.
- Bout en moer a.u.b. handvast aandraaien.
- Attention! Regarde à l'intérieur du fondation pour plussier profils.
- Serrez les écrous et vis à la main s.v.p.
- Observera at en del profiler ligger i sockelprofilen!!
- Dra åt skruven och muttern handfast.

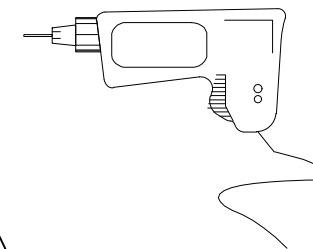


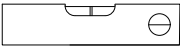

 = 8x40

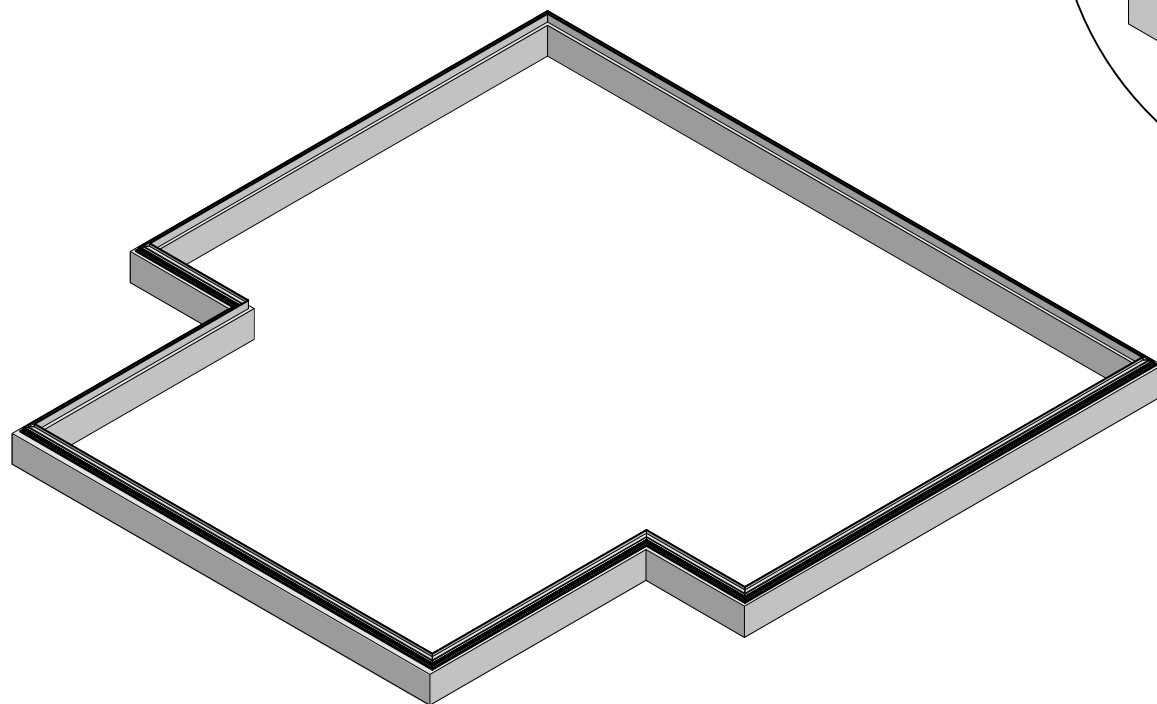
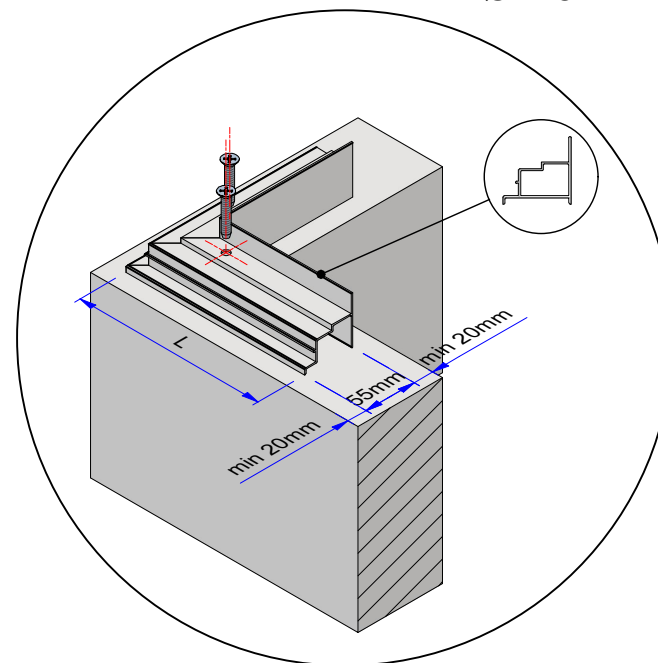


 = 6x120

Ø = 8mm



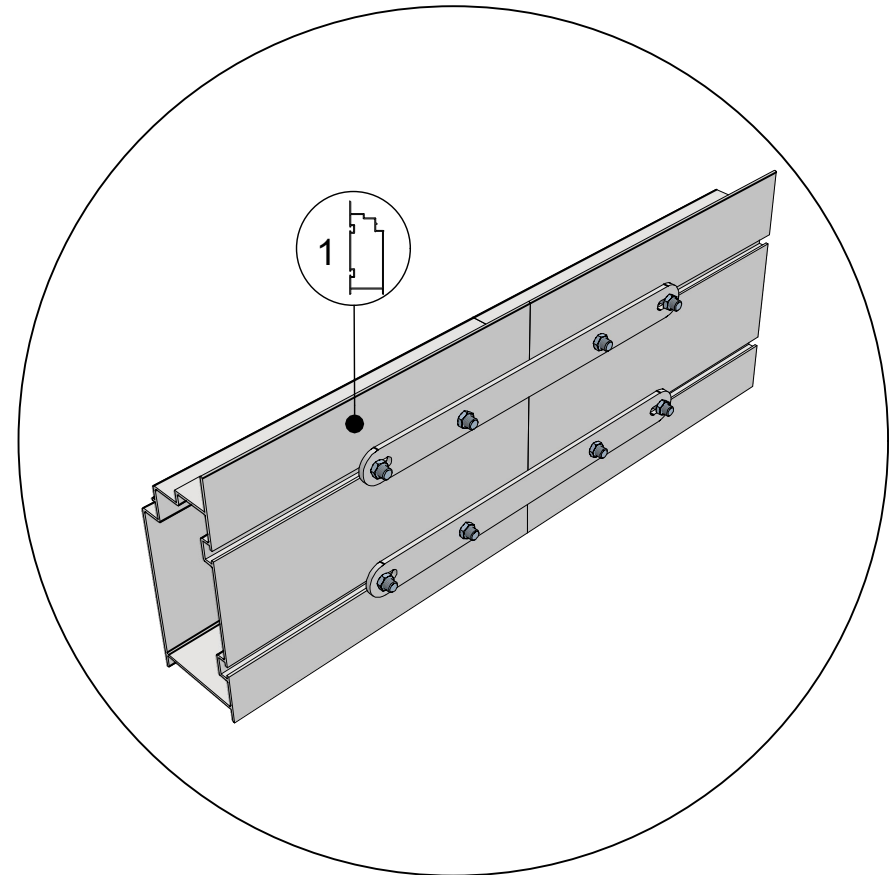
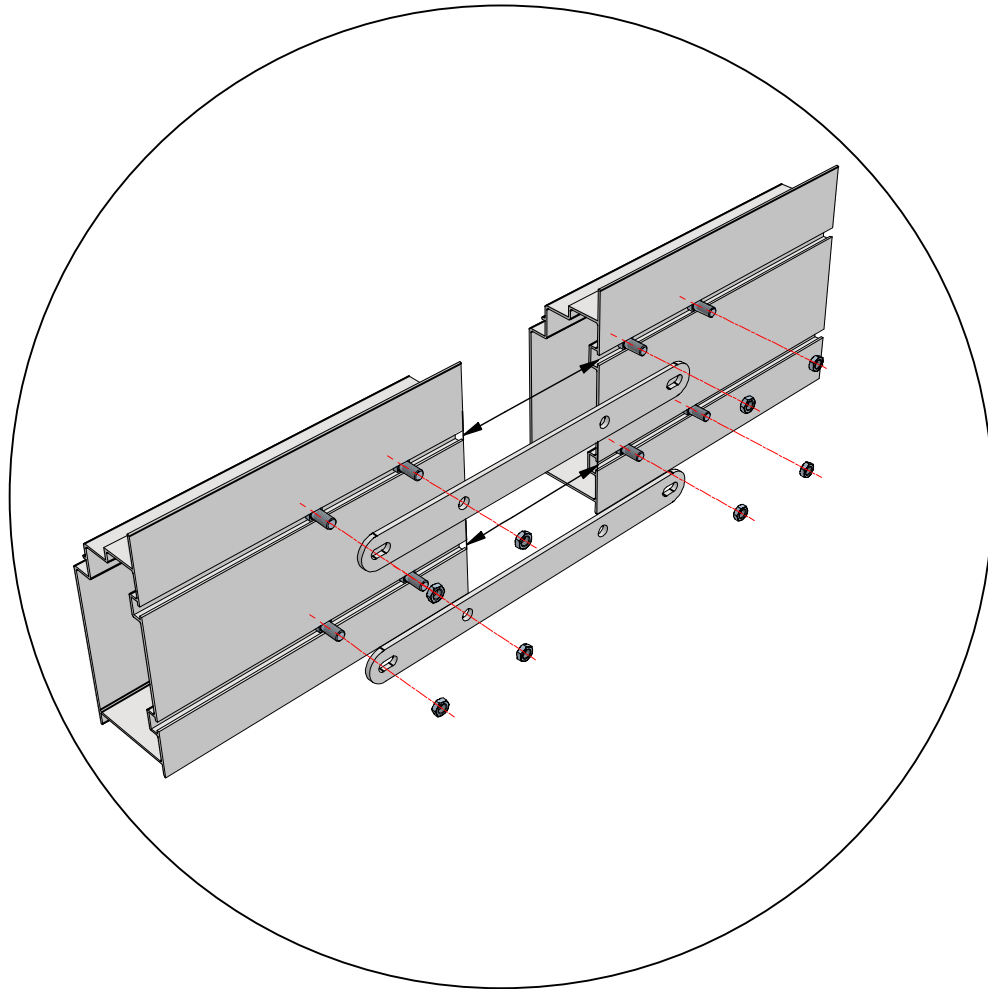
100%  & 90° 




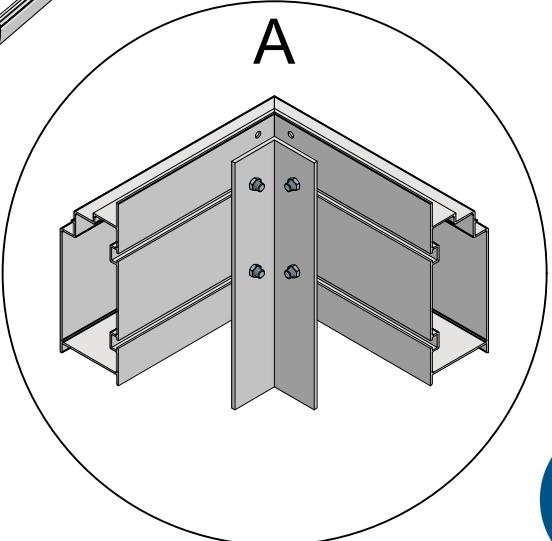
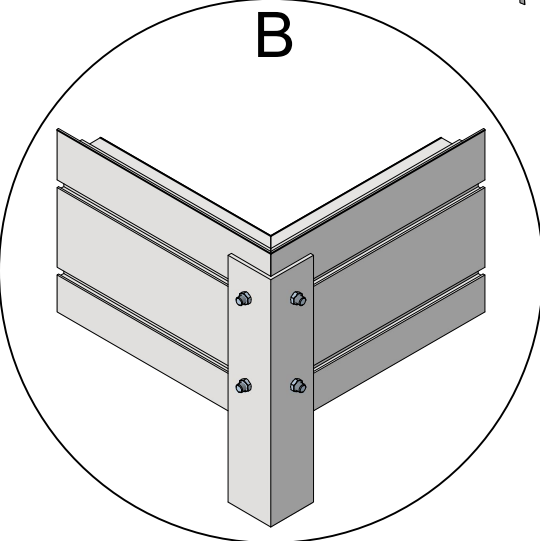
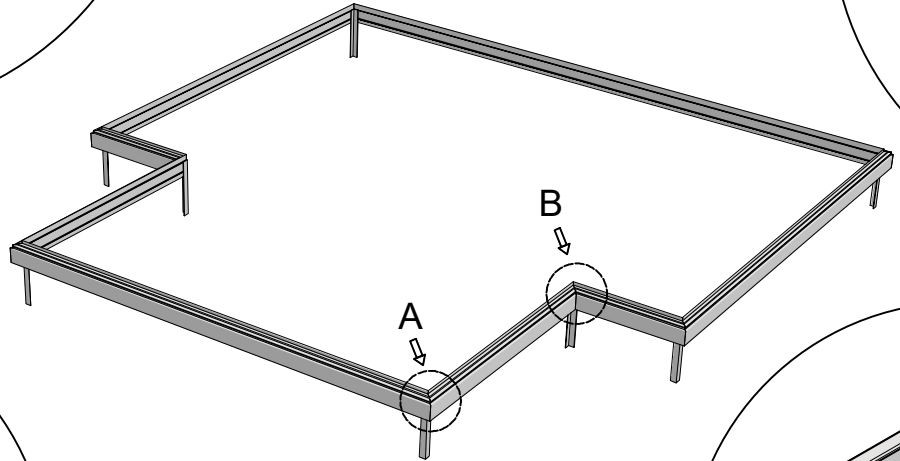
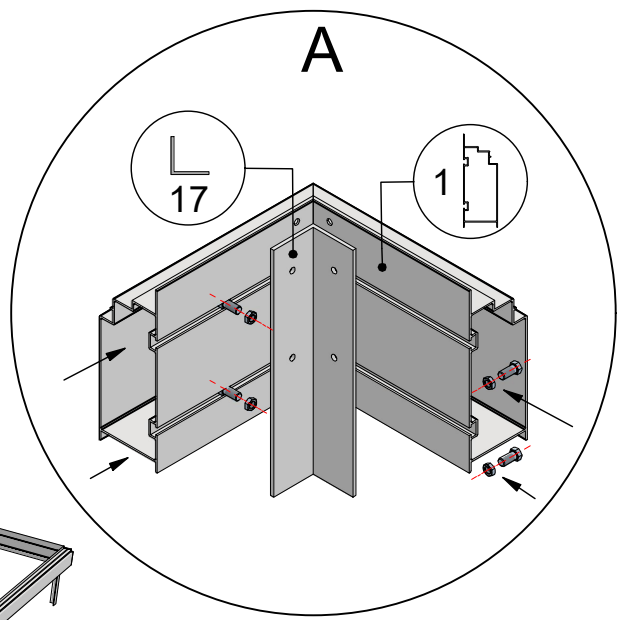
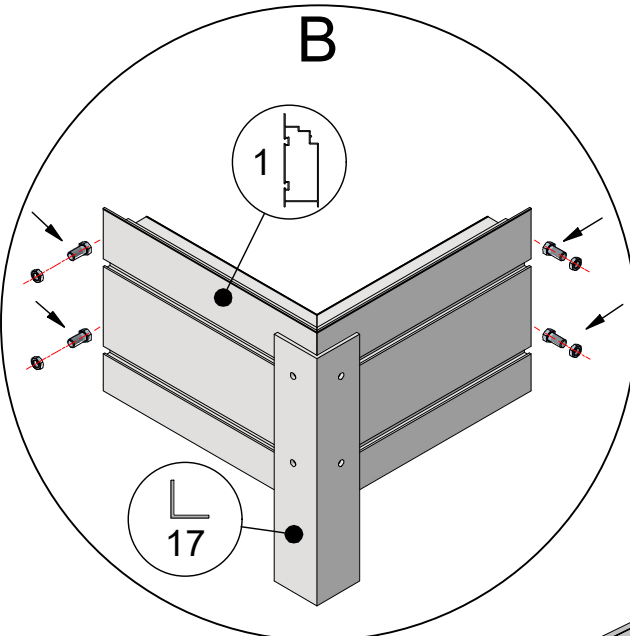
5

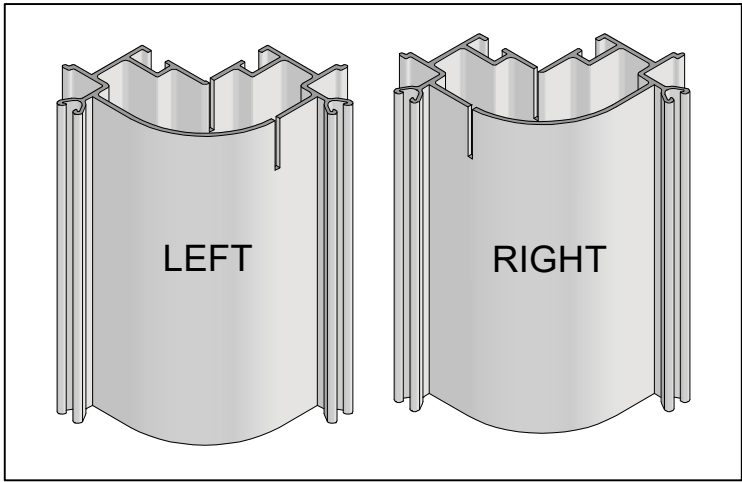
# Euro-Classic T > 6,04 M

 = M6x12 (8x)

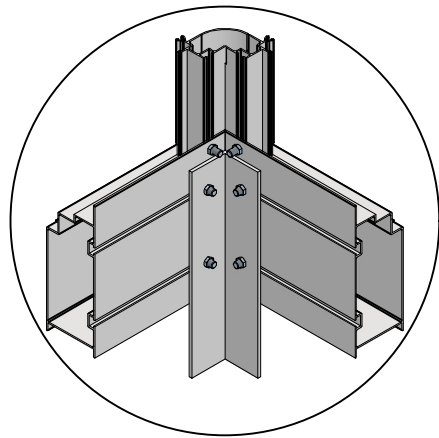
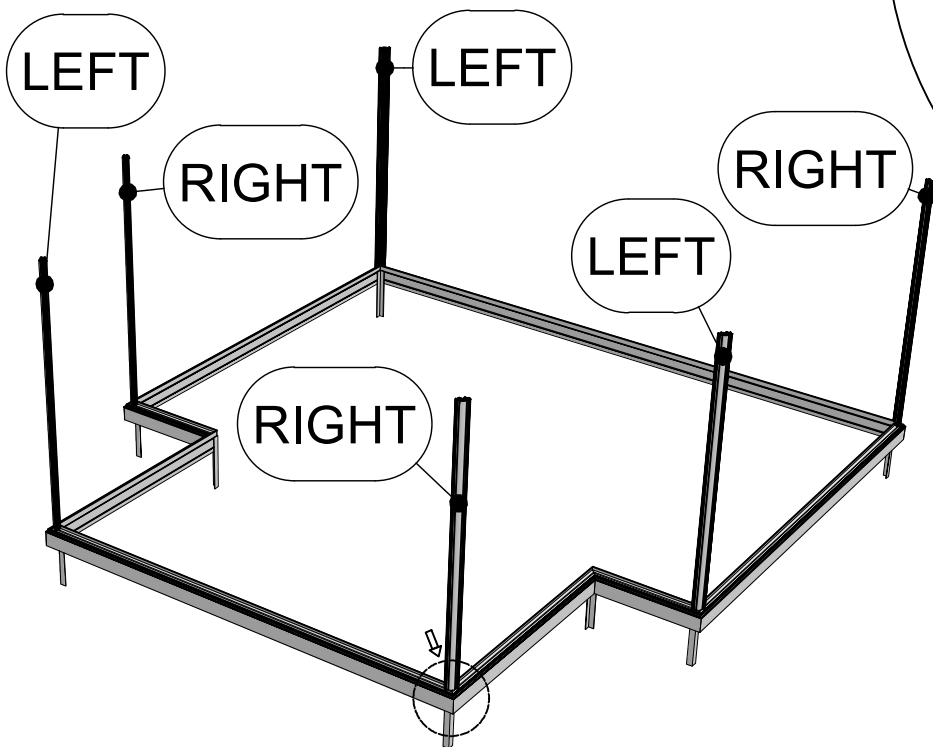
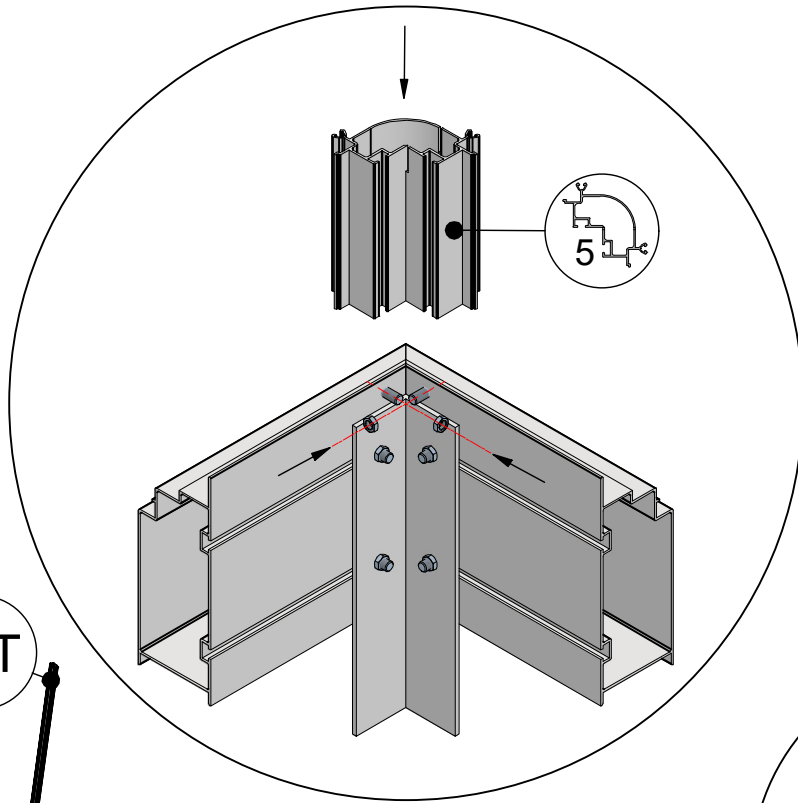


 = M6x12



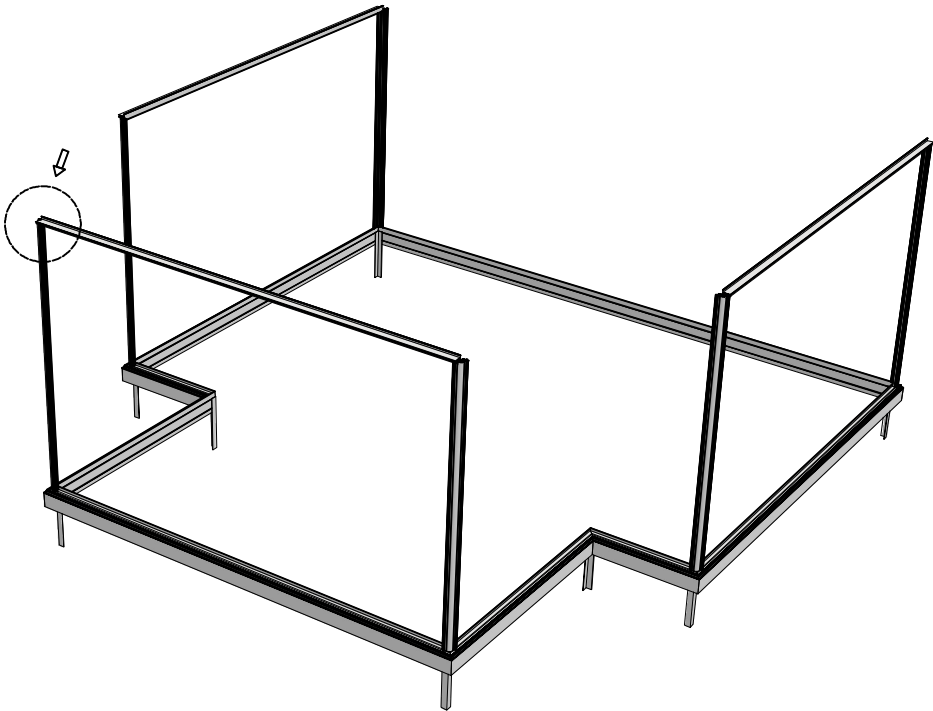
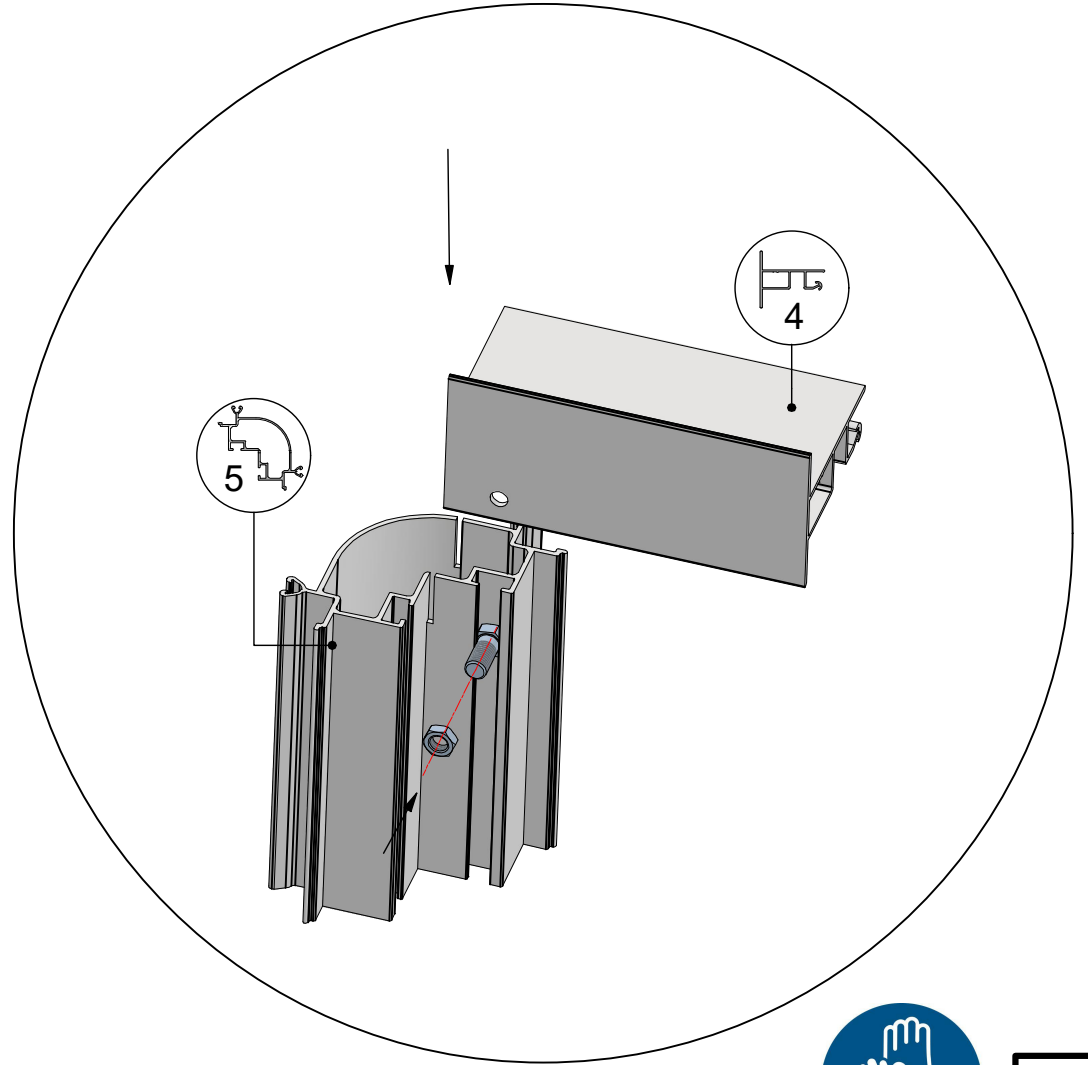
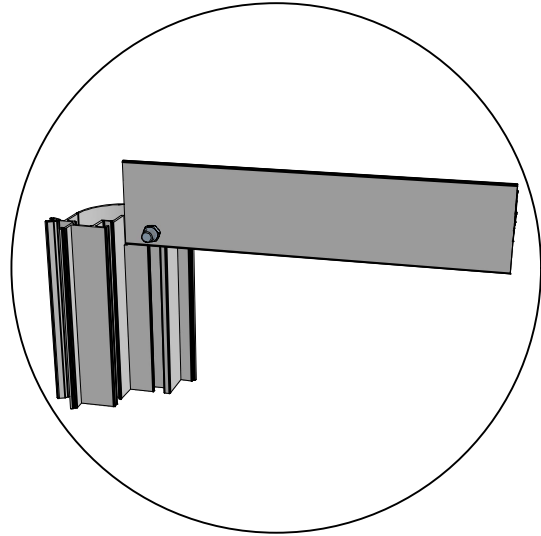


 = M6x12 (12x)

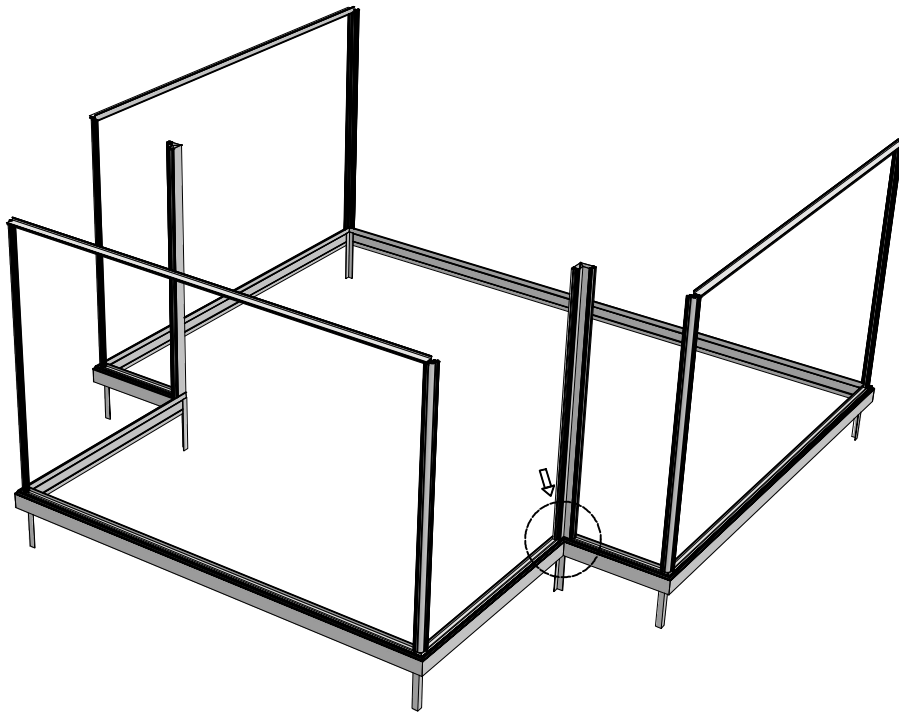
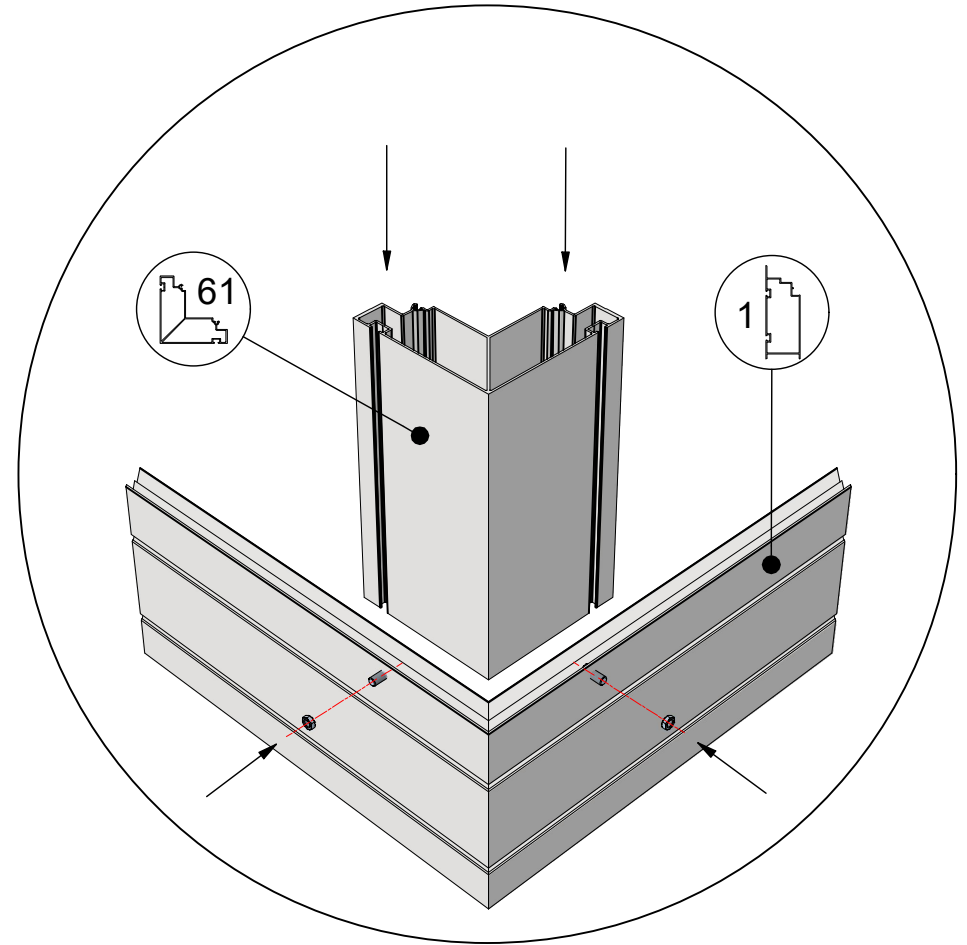
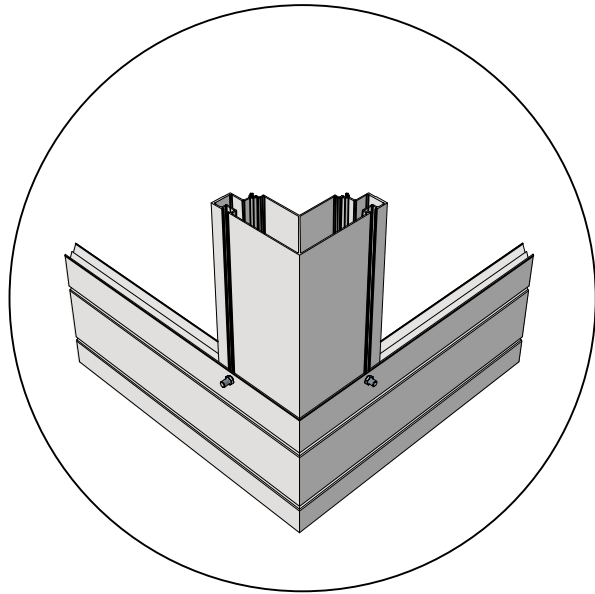




 = M6x12 (6x)

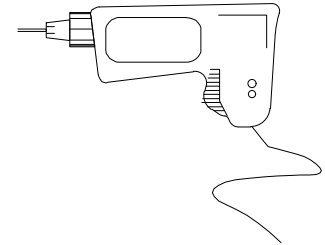


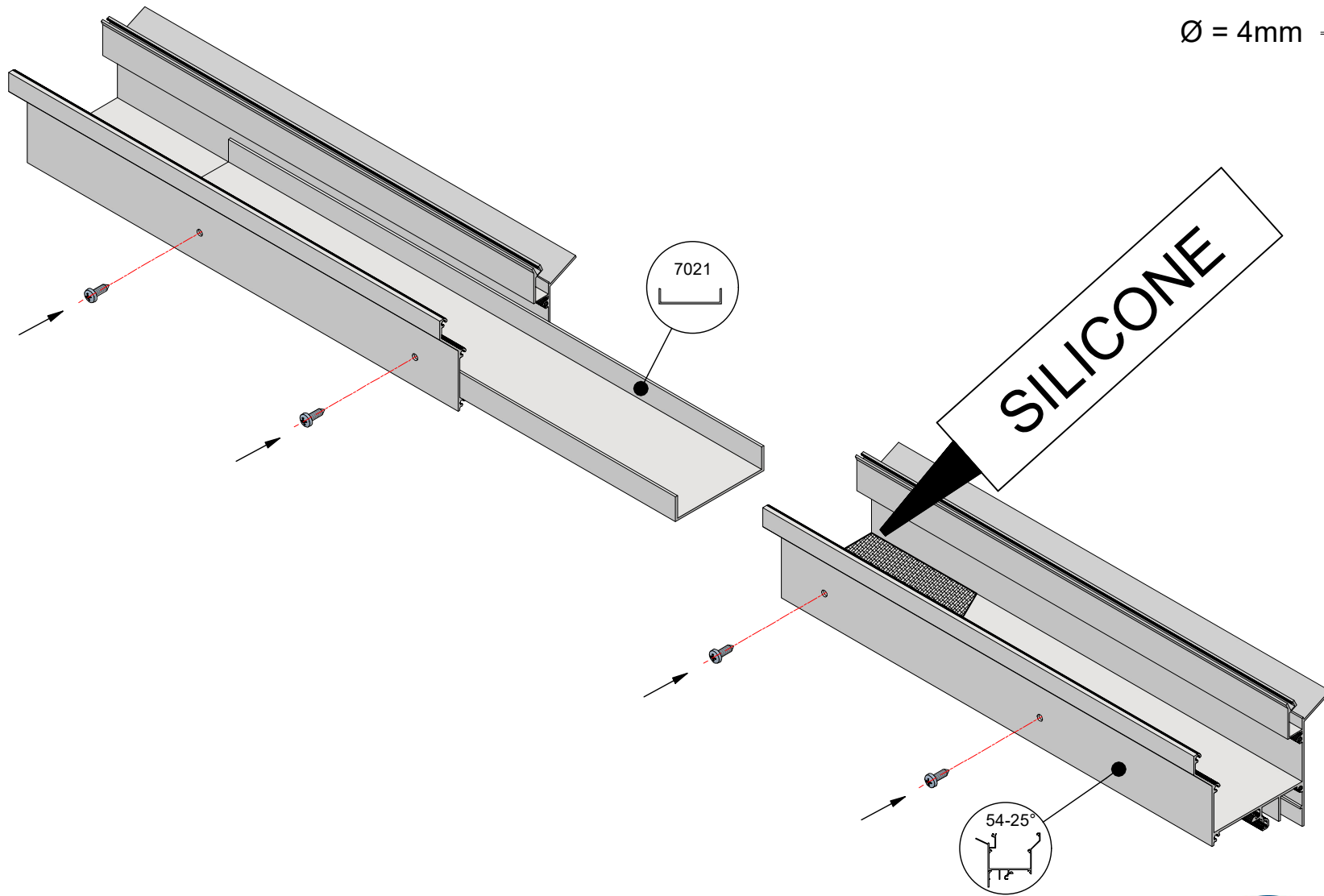
 = M6x12 (4x)

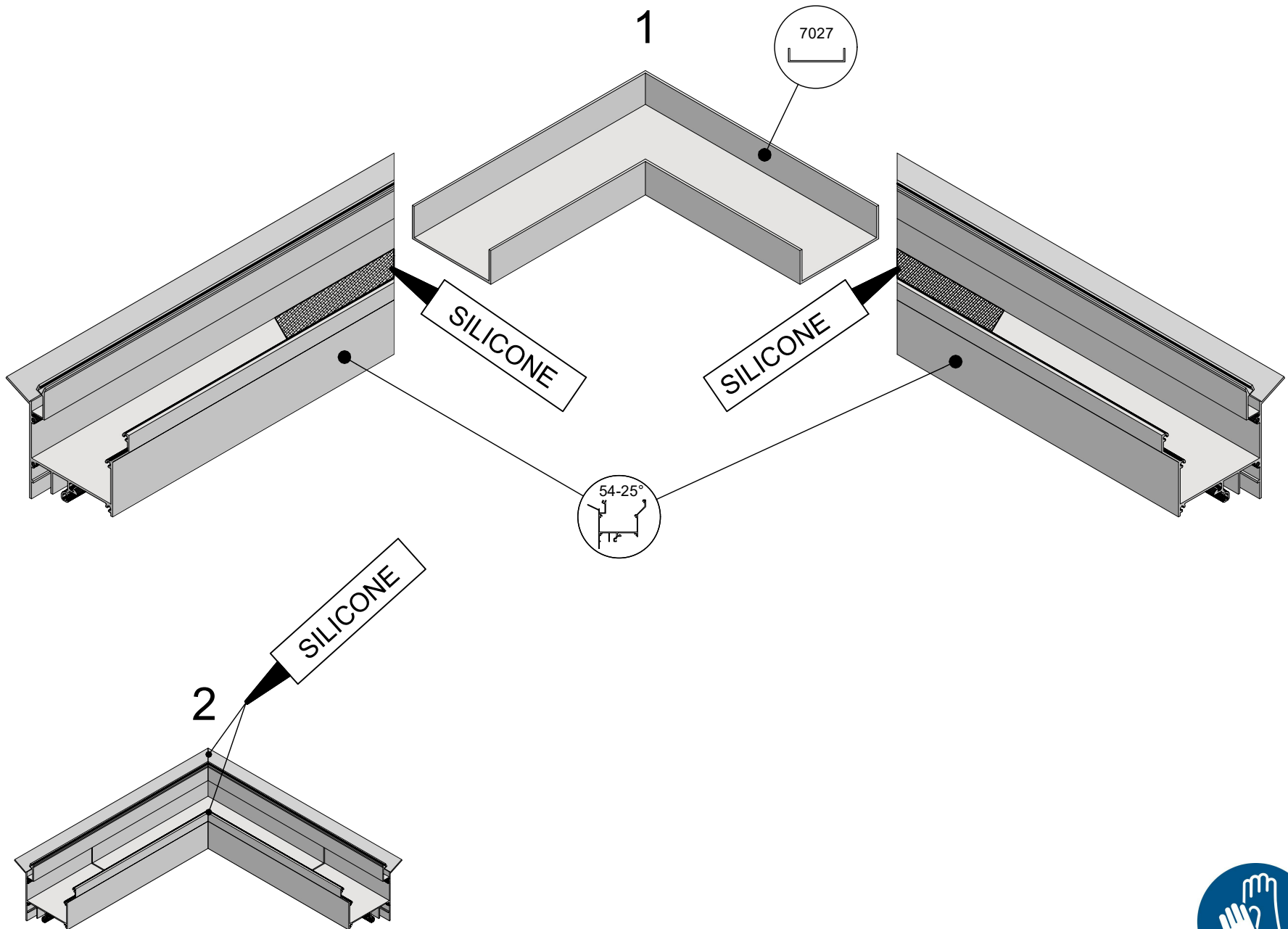



# Euro-Classic T > 6,04

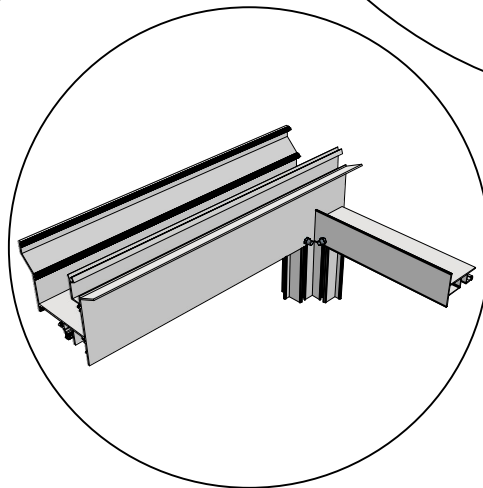
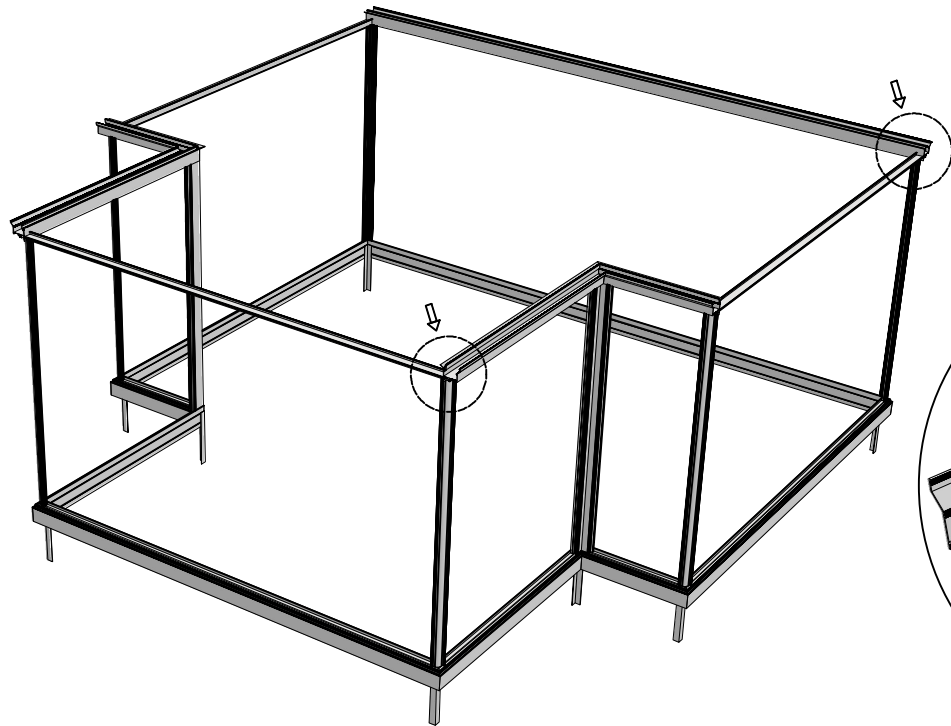
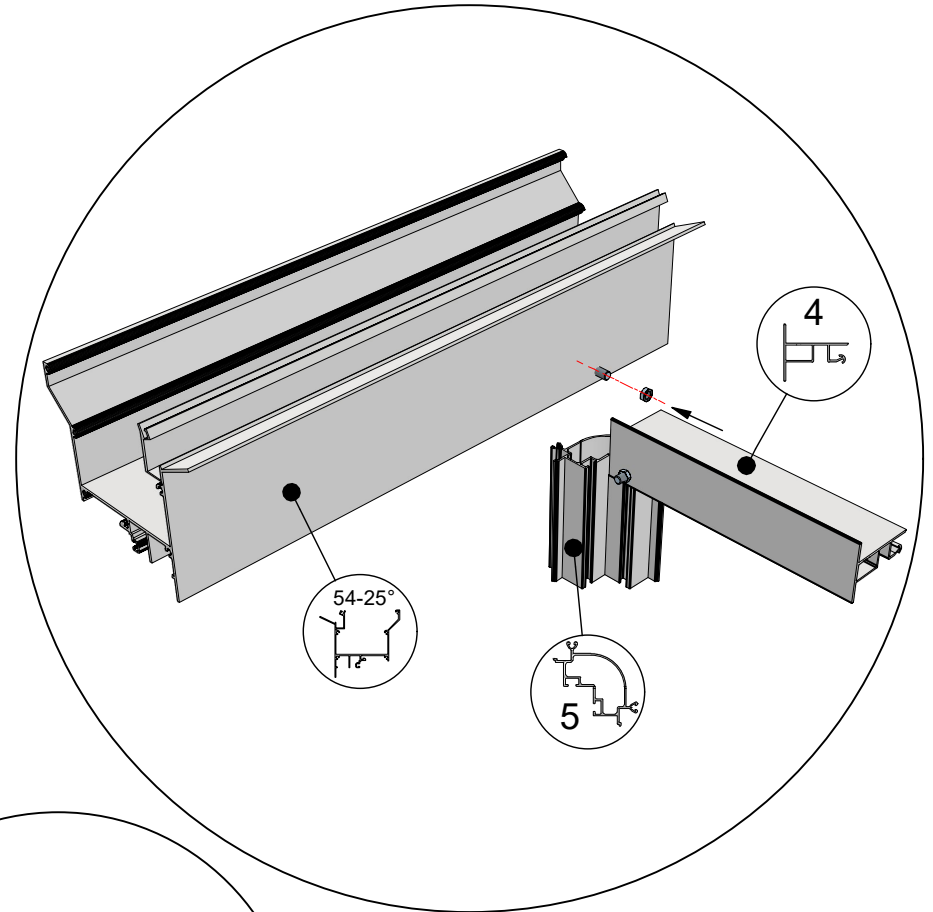
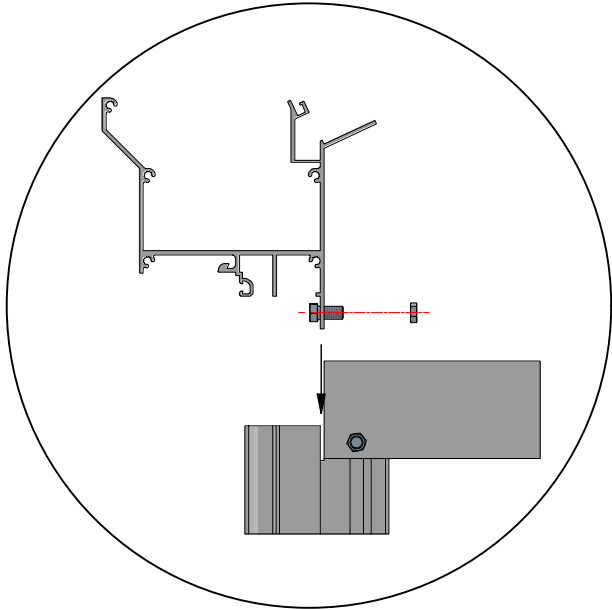
 = 4,8x16 (4x)


Ø = 4mm 

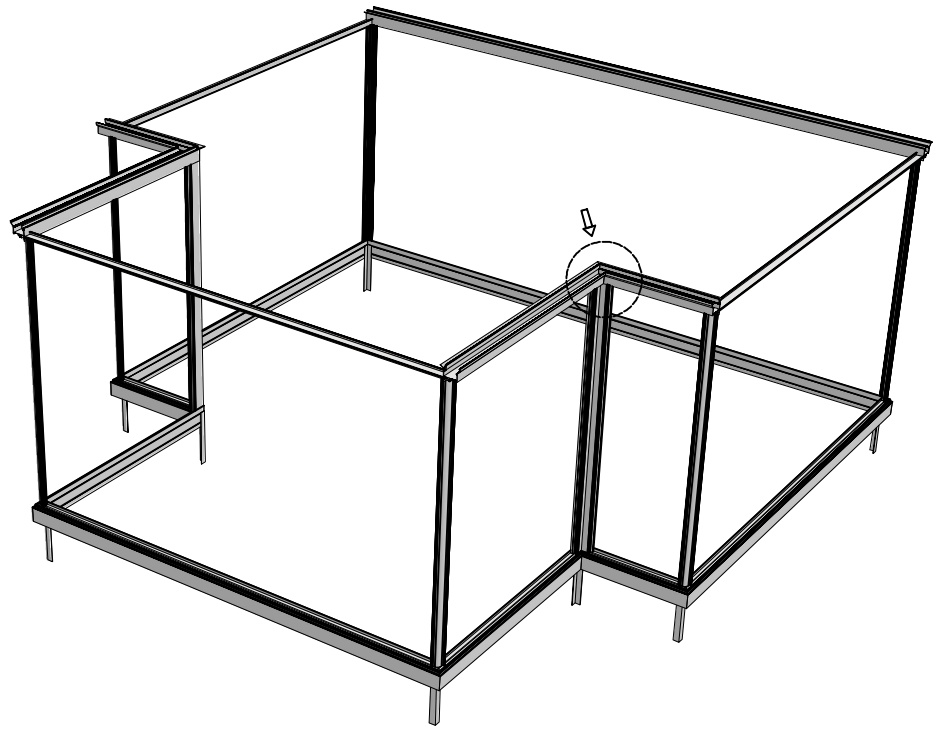
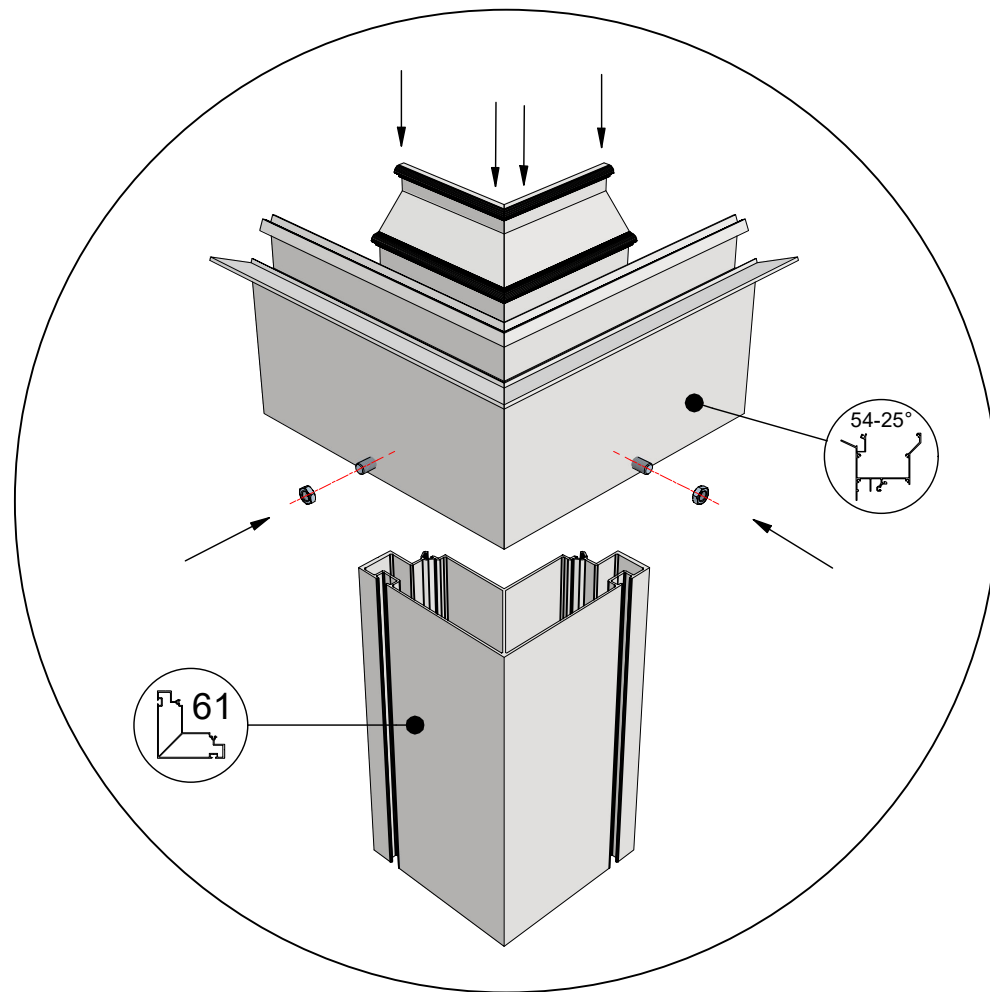
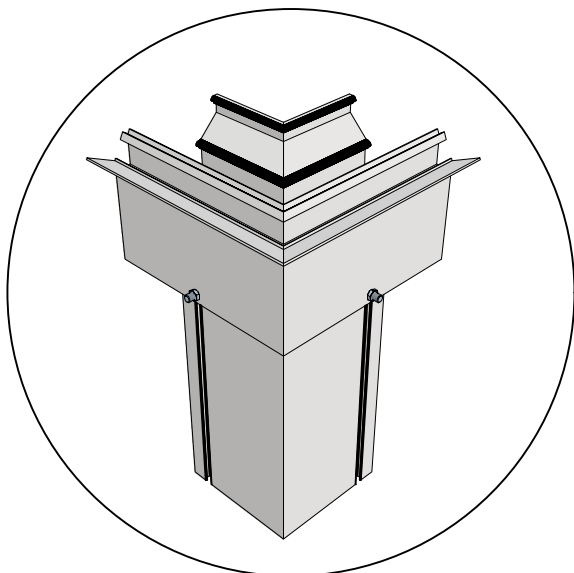





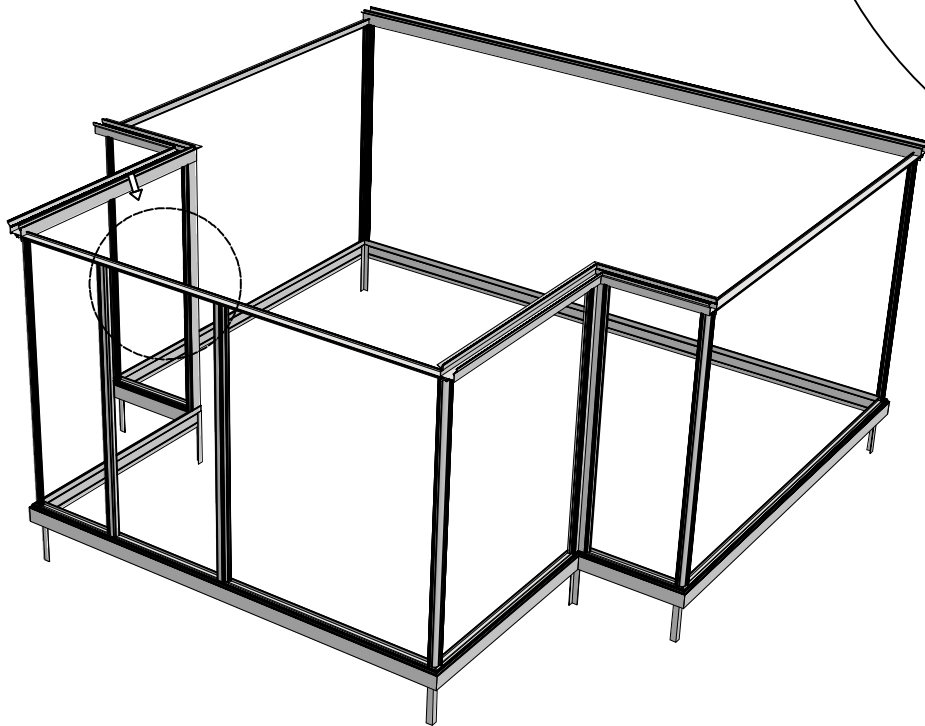
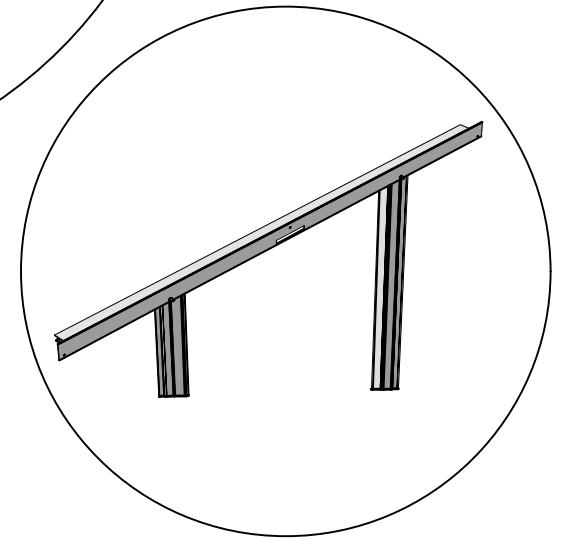
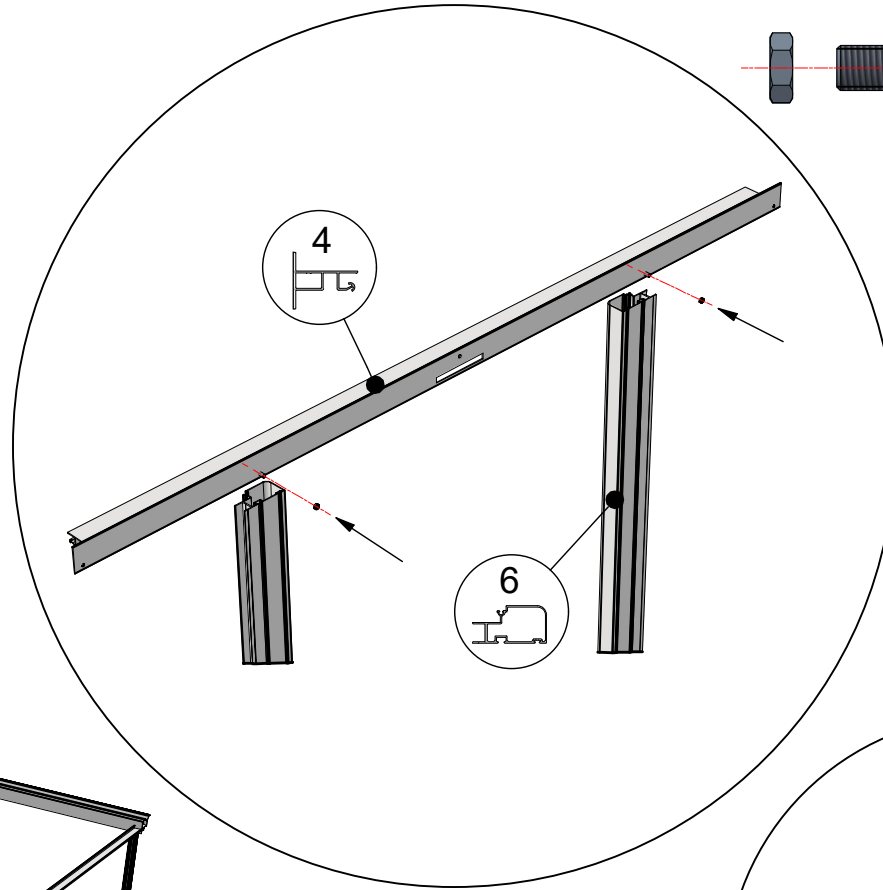
 = M6x12

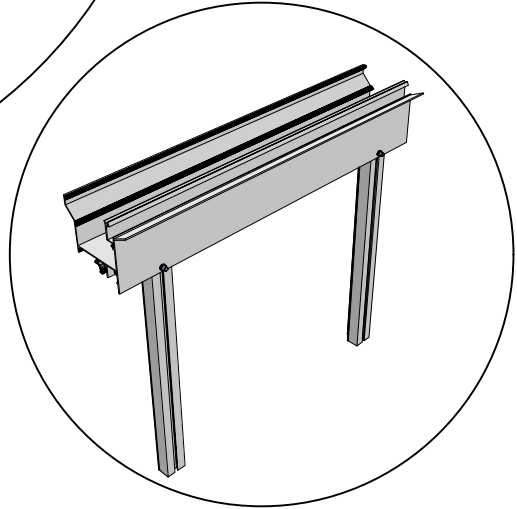
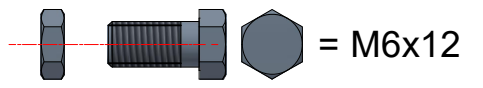
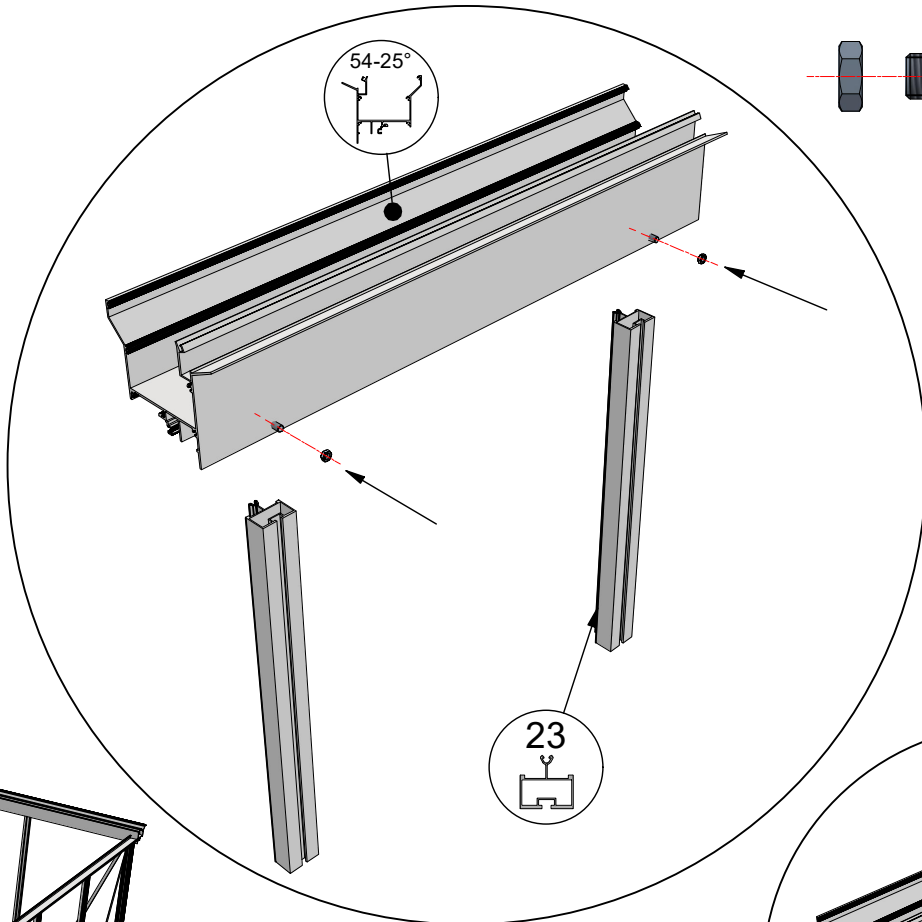
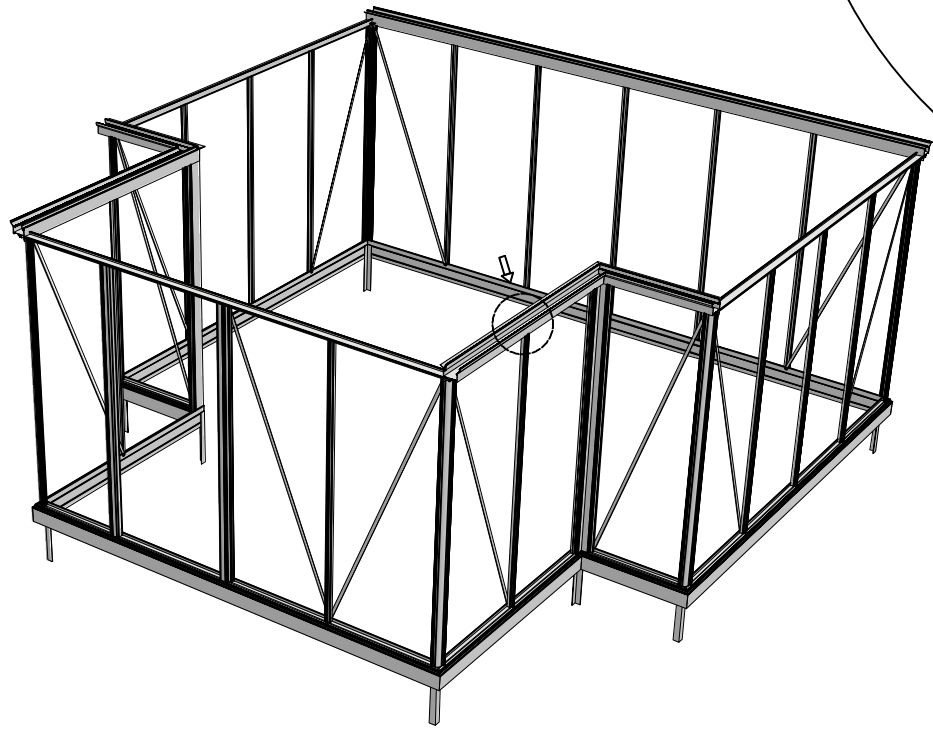


 = M6x12




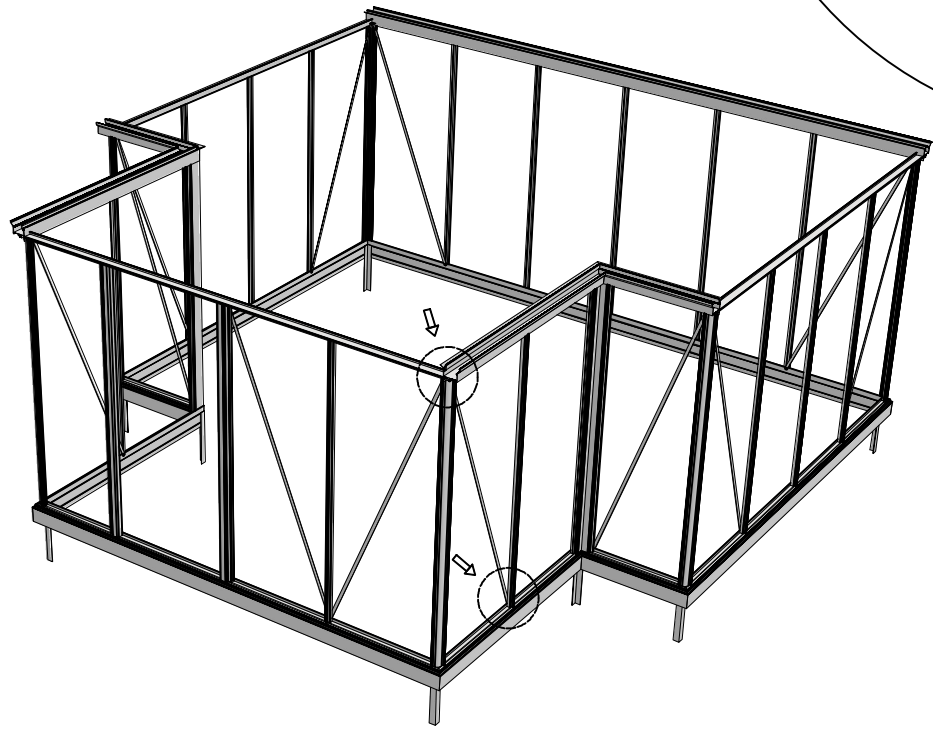
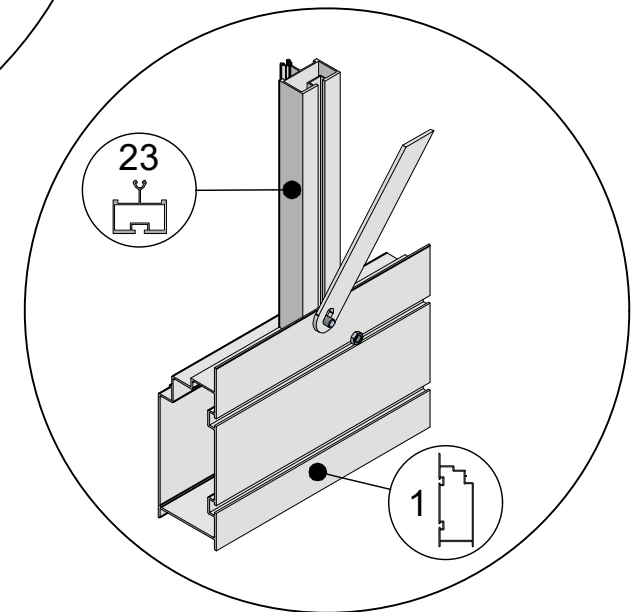
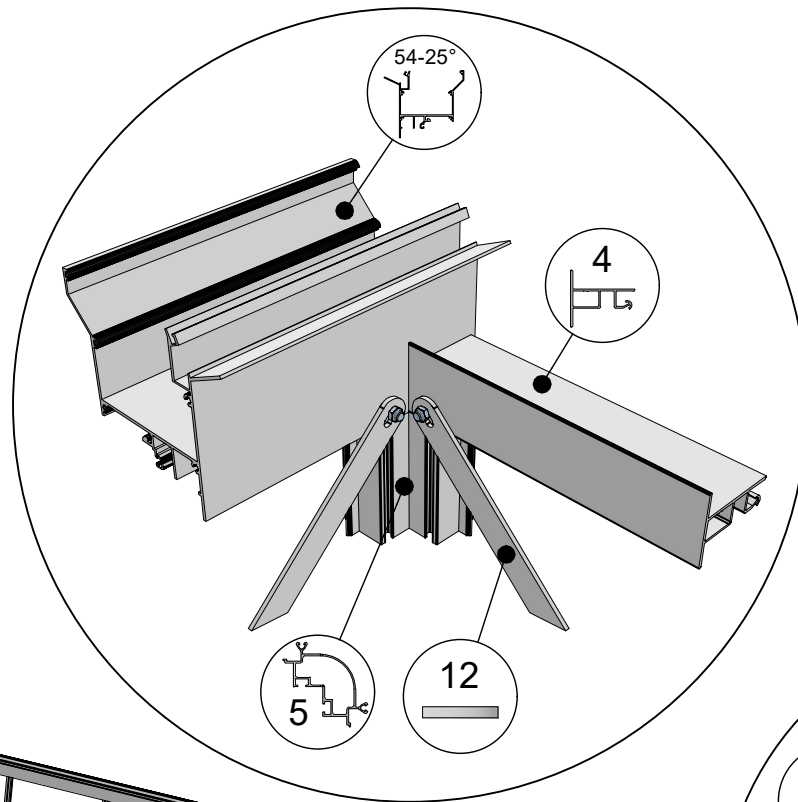
 = M6x12 (2x)

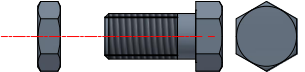


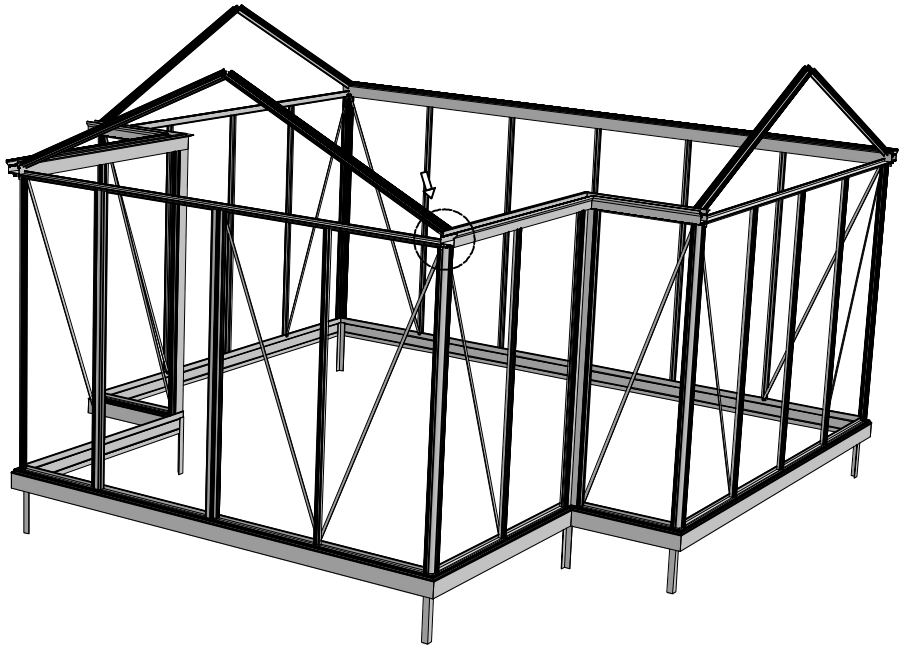
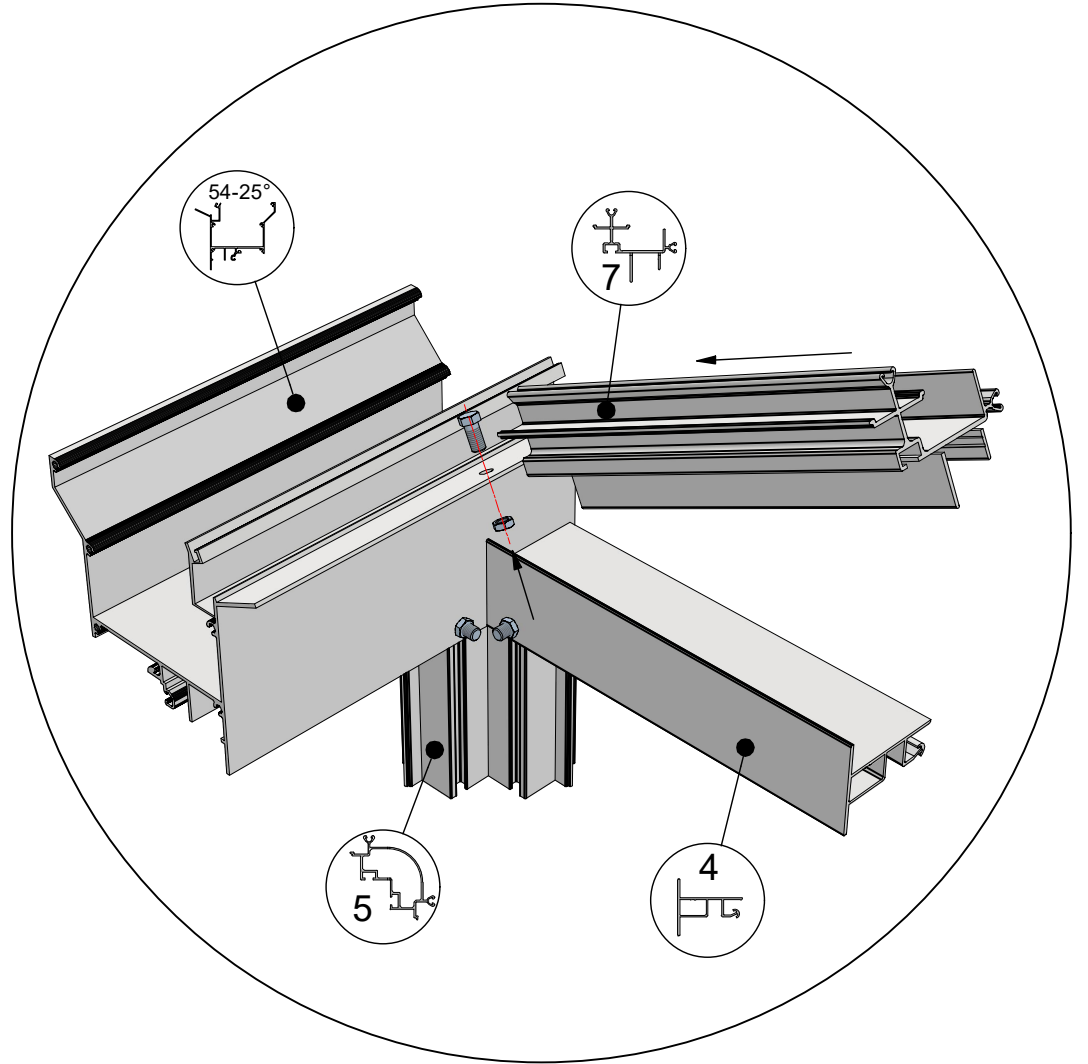
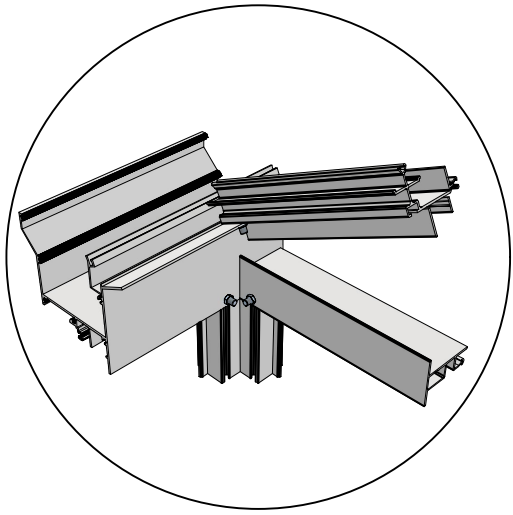





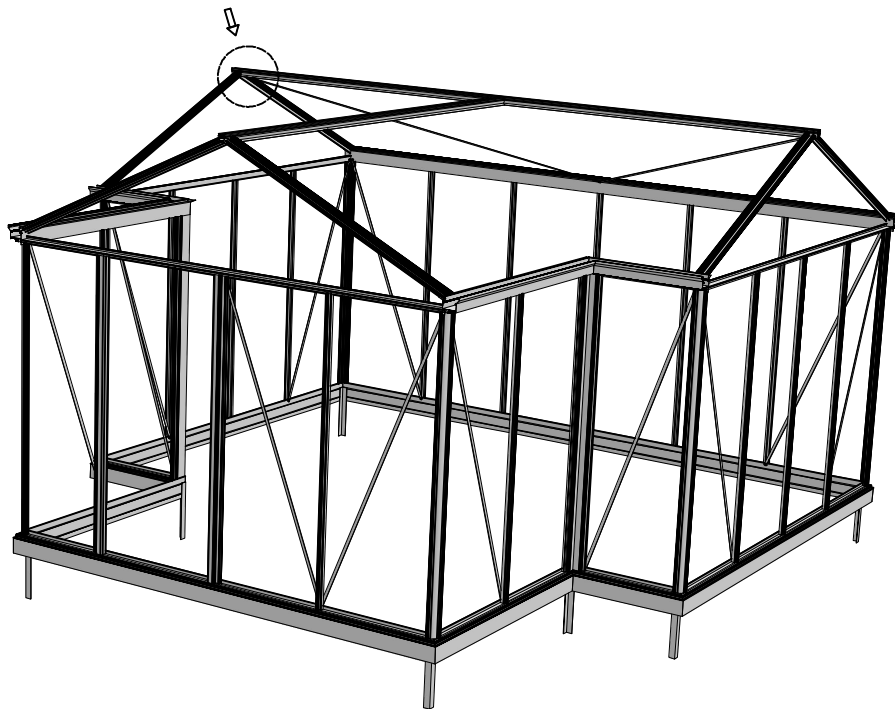
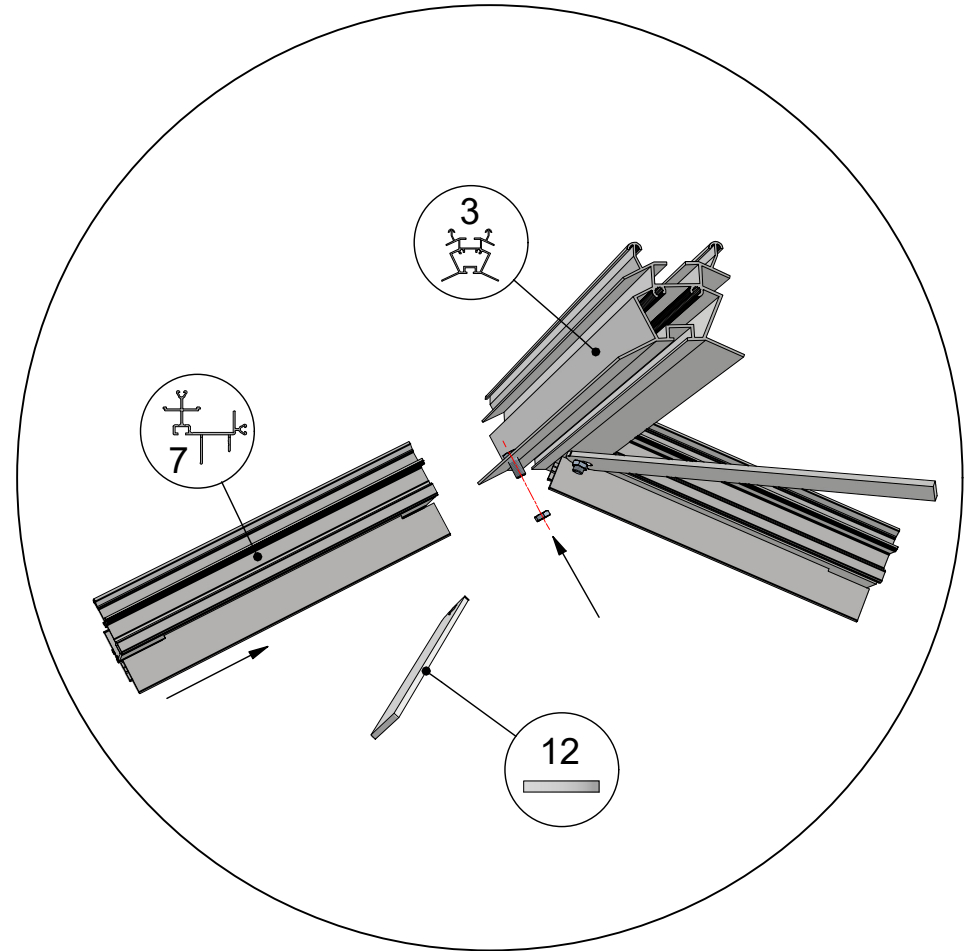
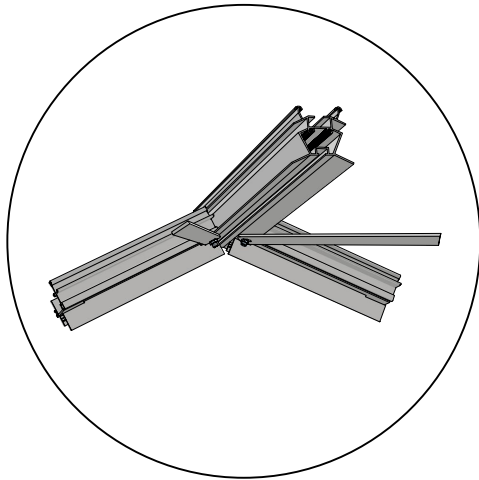
 = M6x12




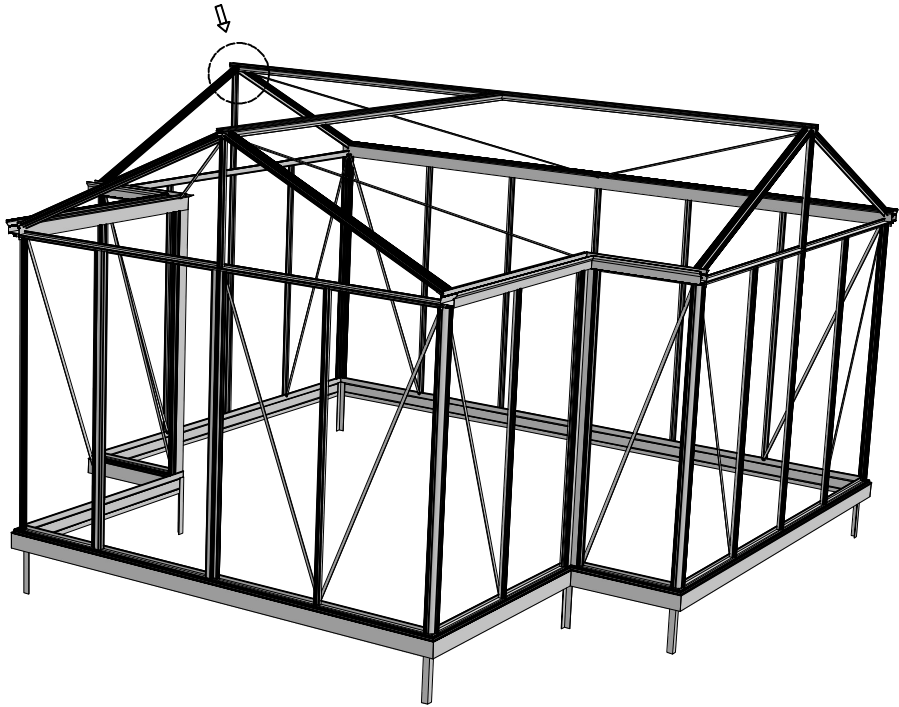
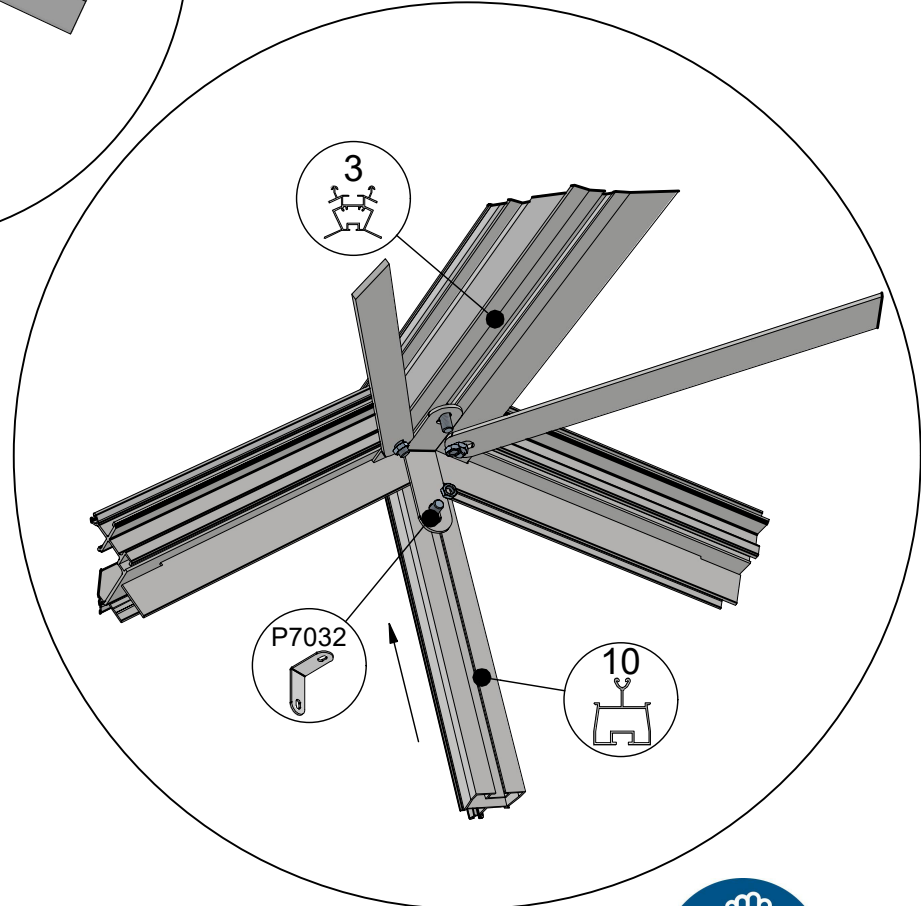
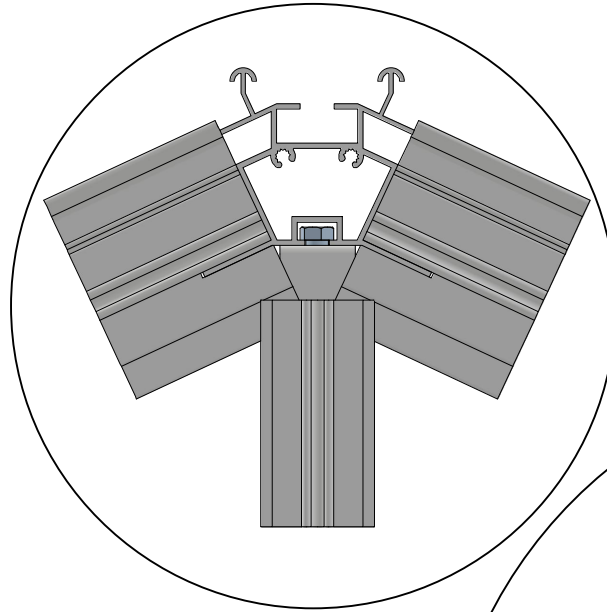
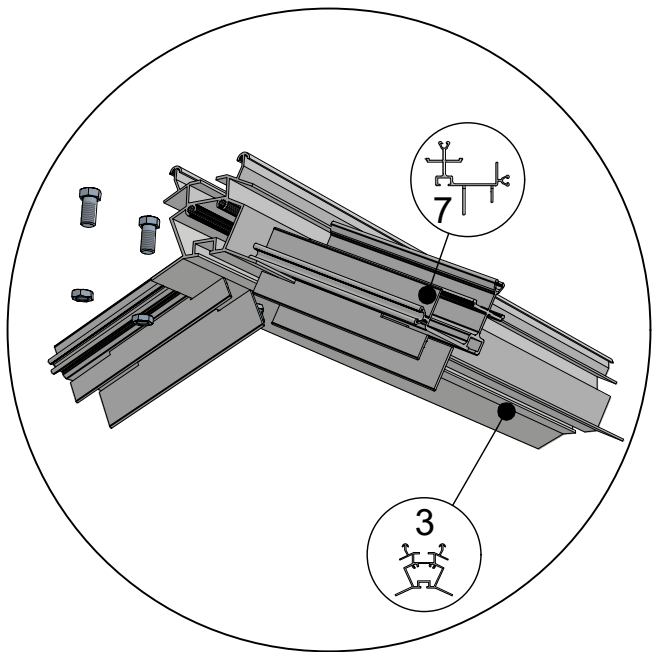
 = M6x12




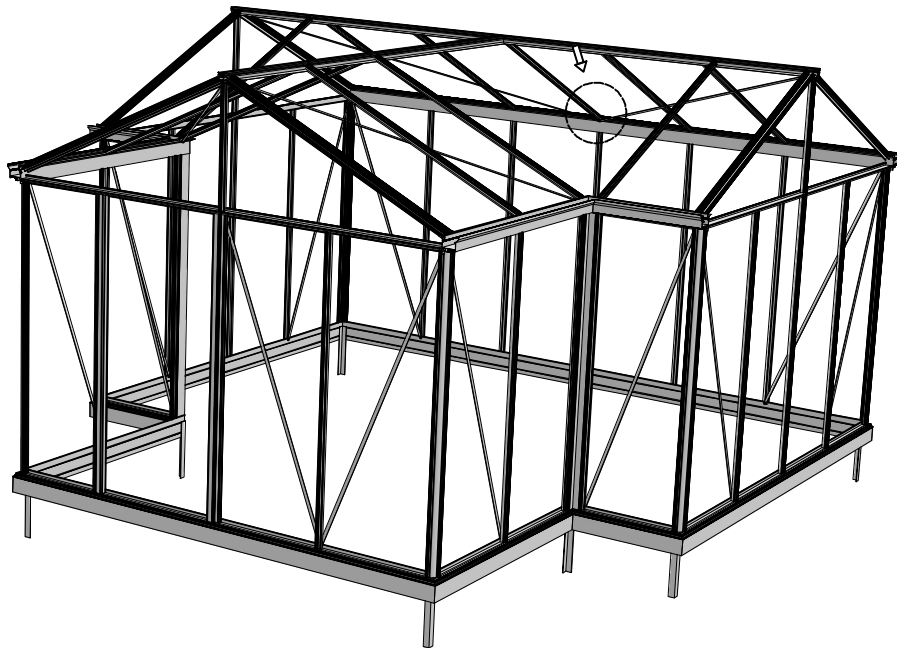
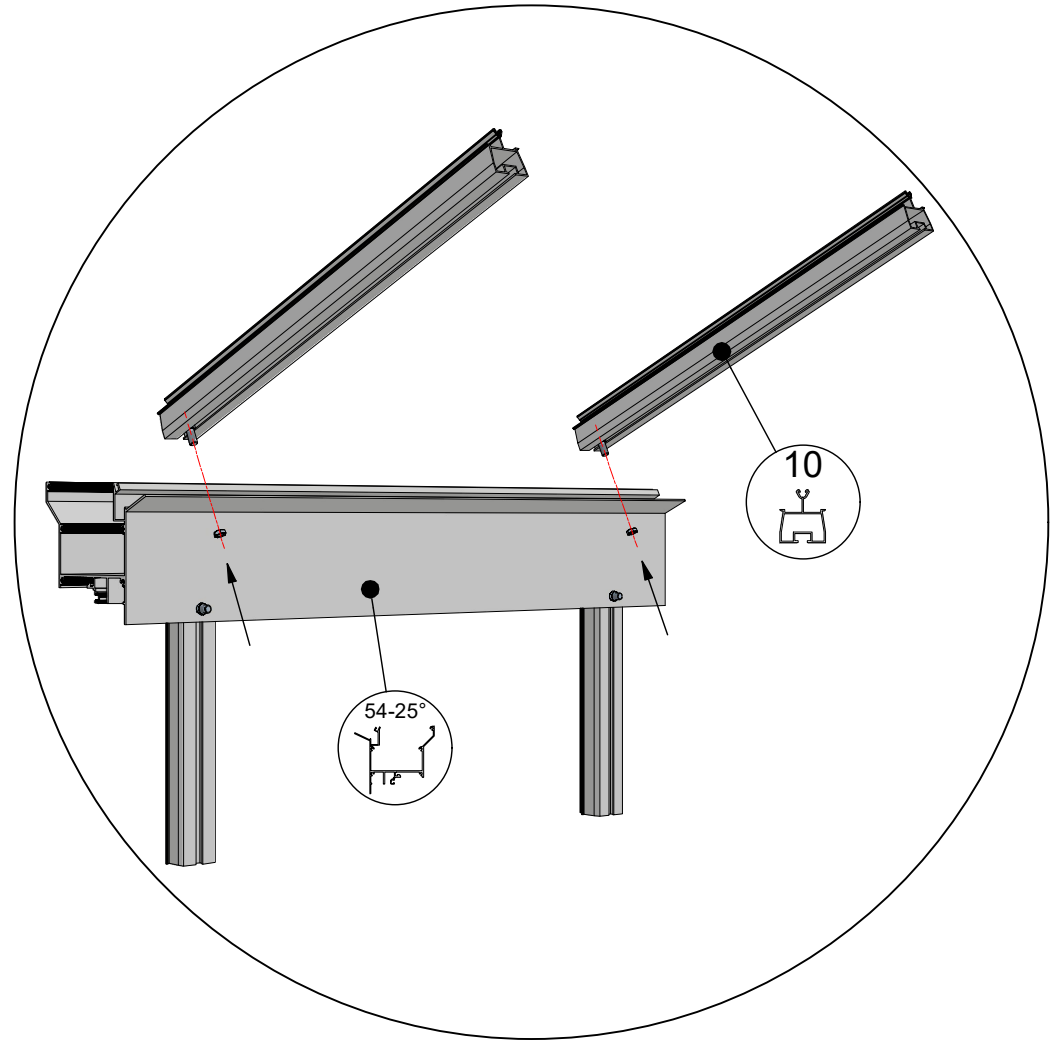
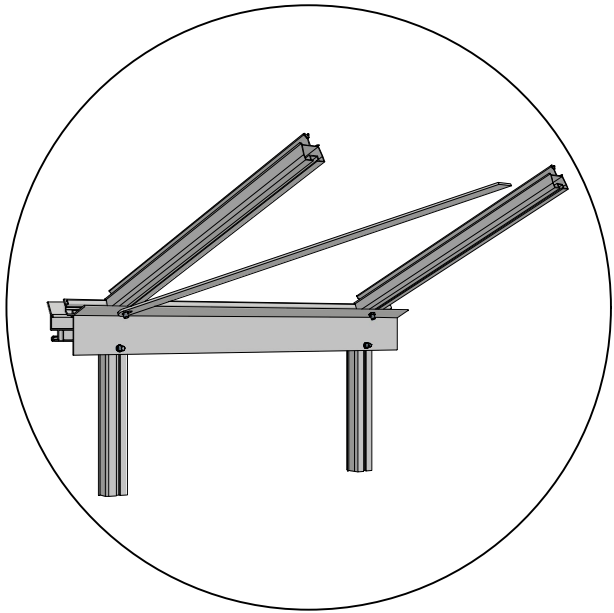
 = M6x12




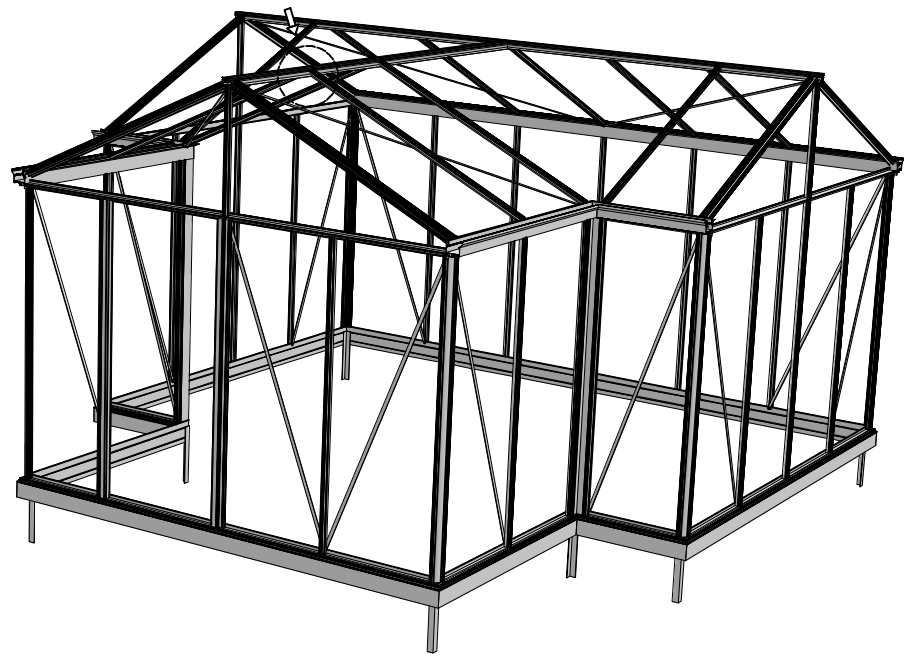
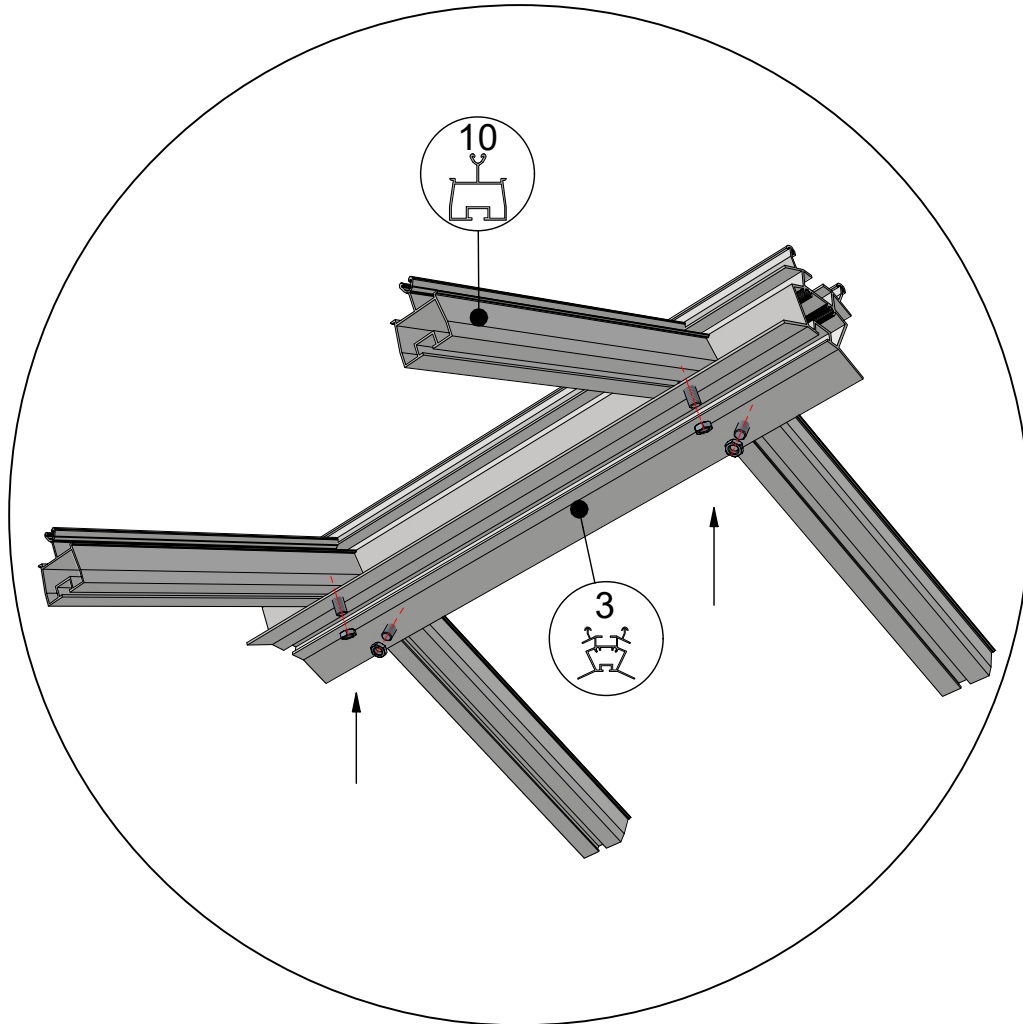
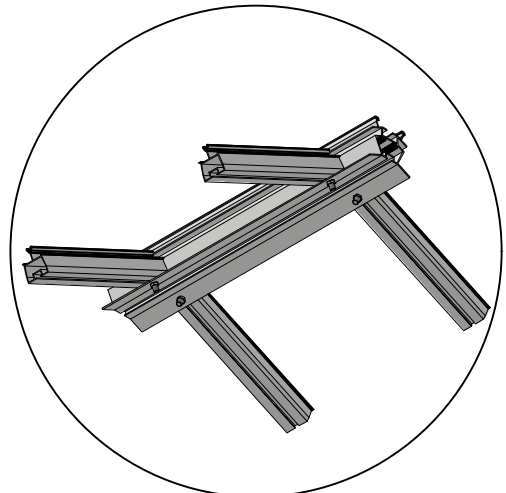
 = M6x12



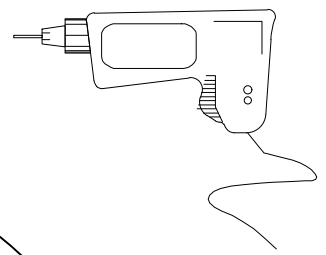
 = M6x12

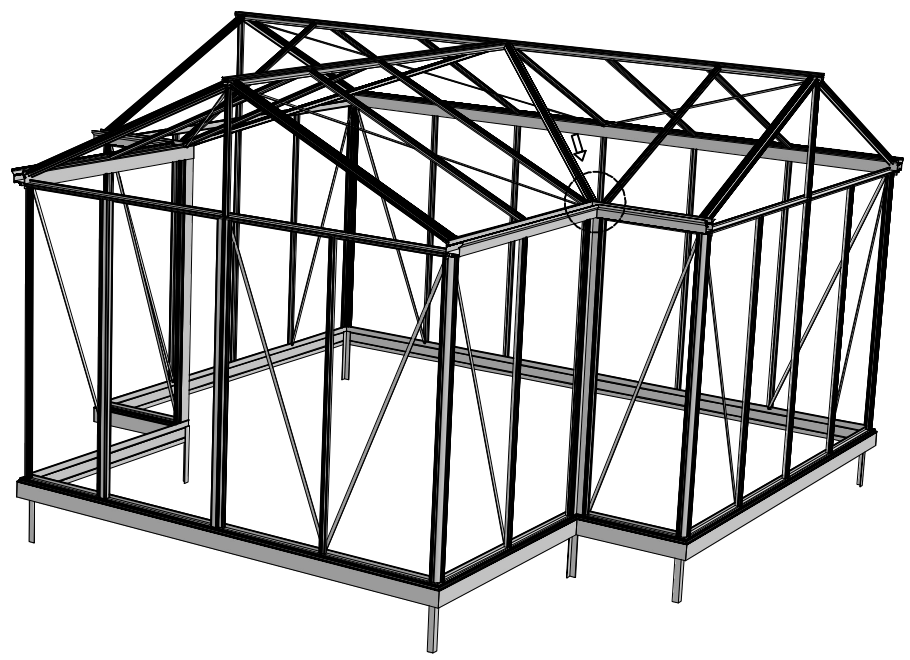
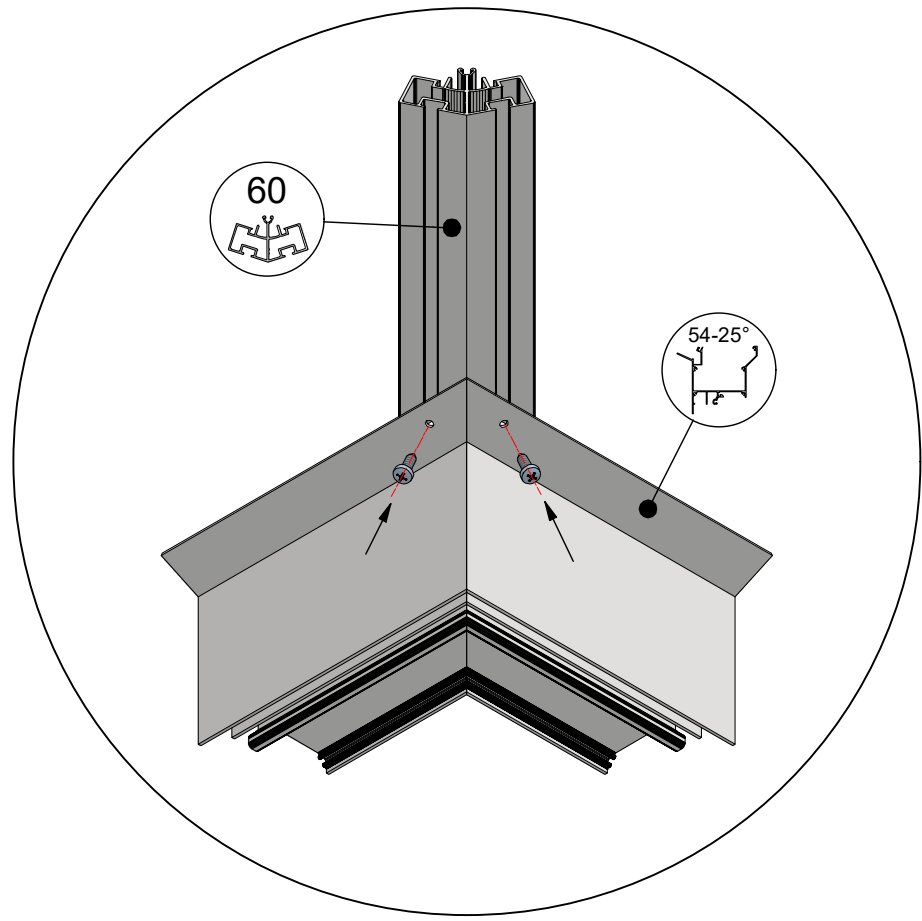
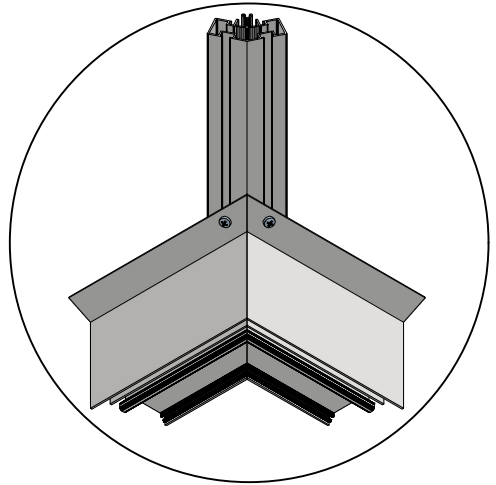


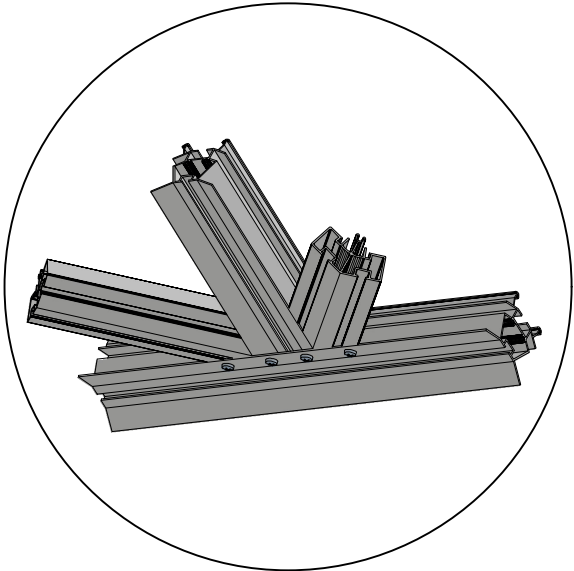
 = M6x12



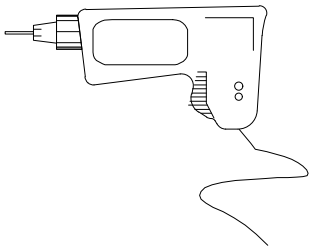
 = 4,8x16

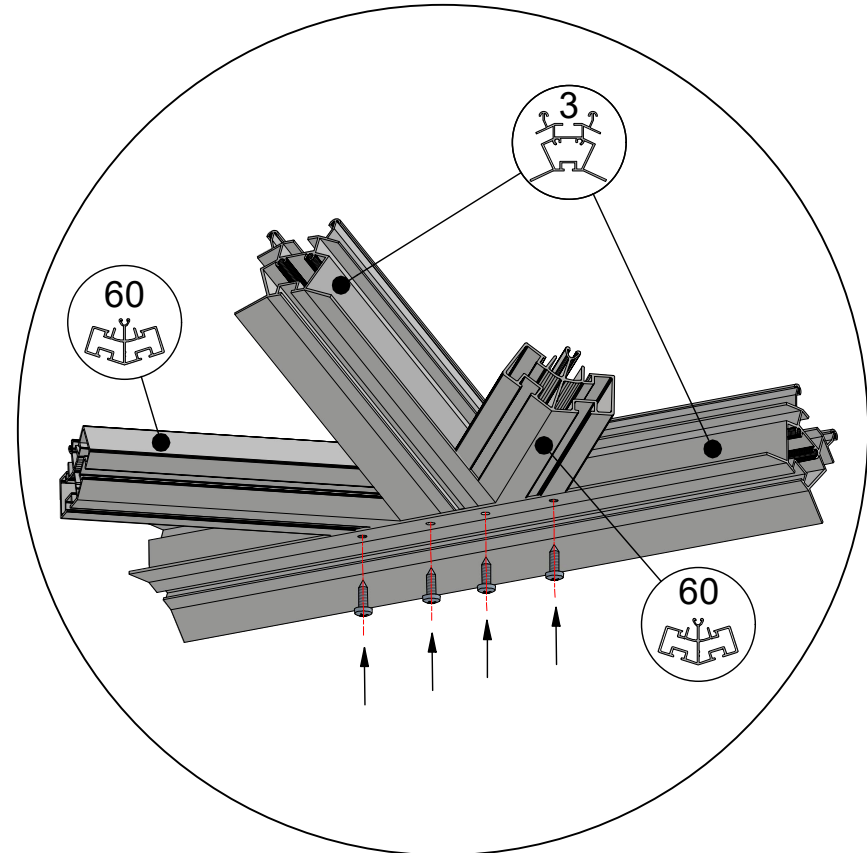
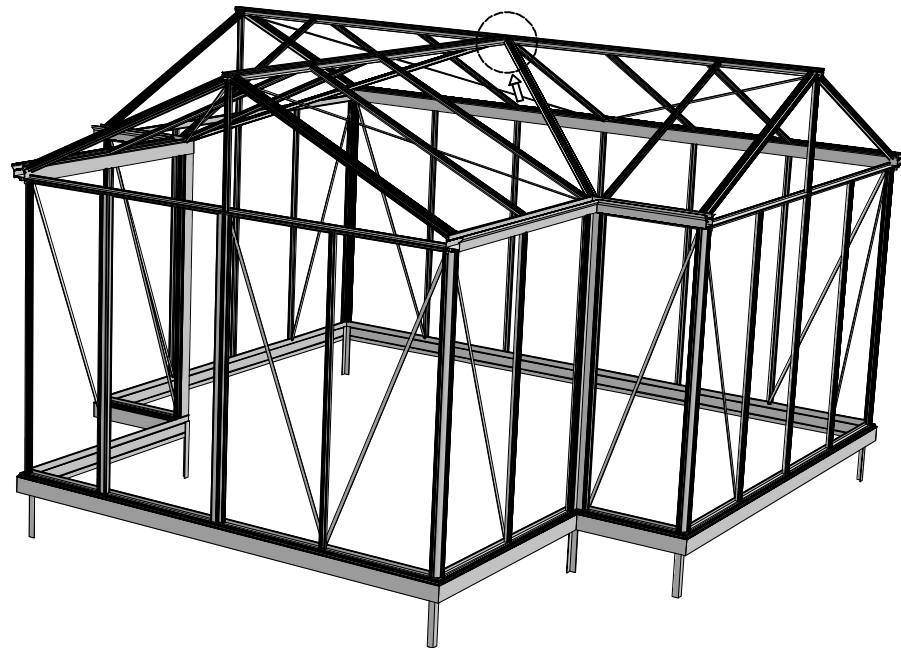
Ø = 4mm 






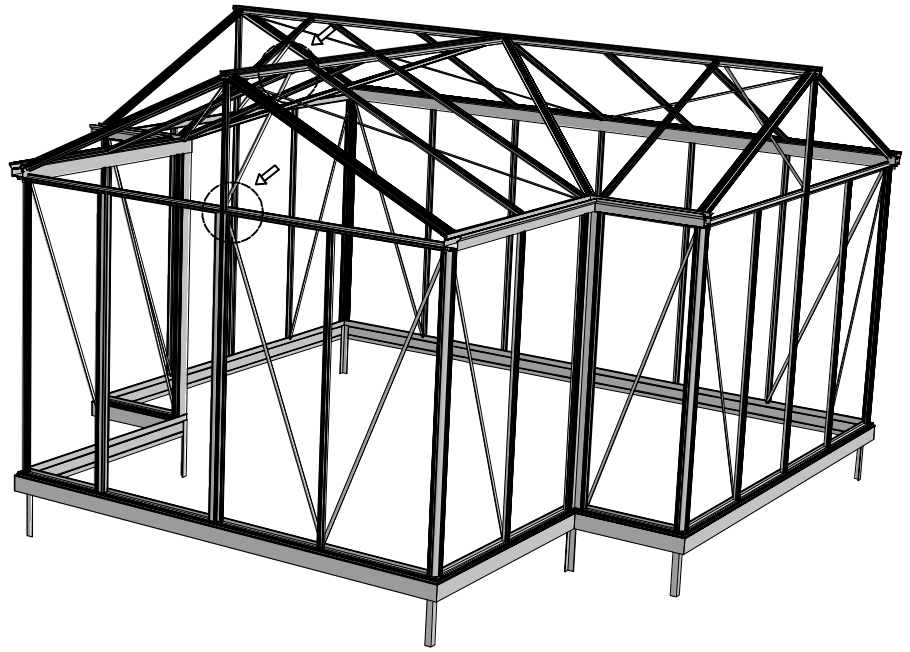
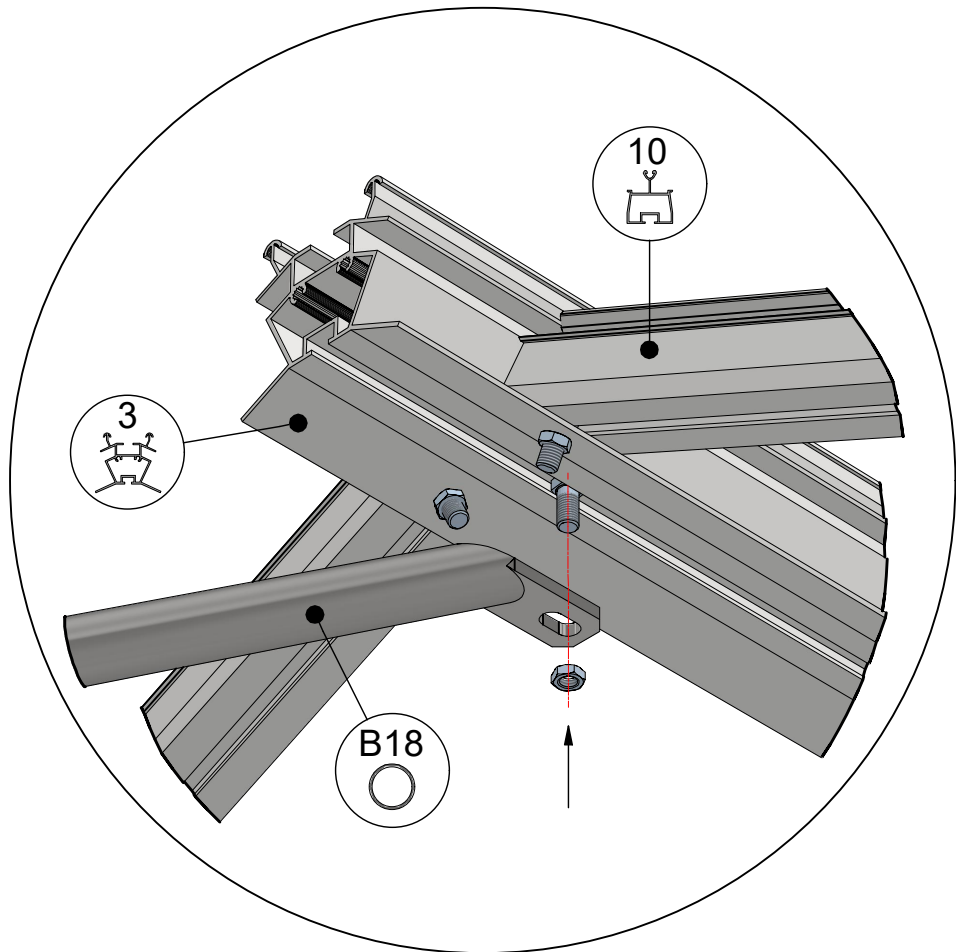
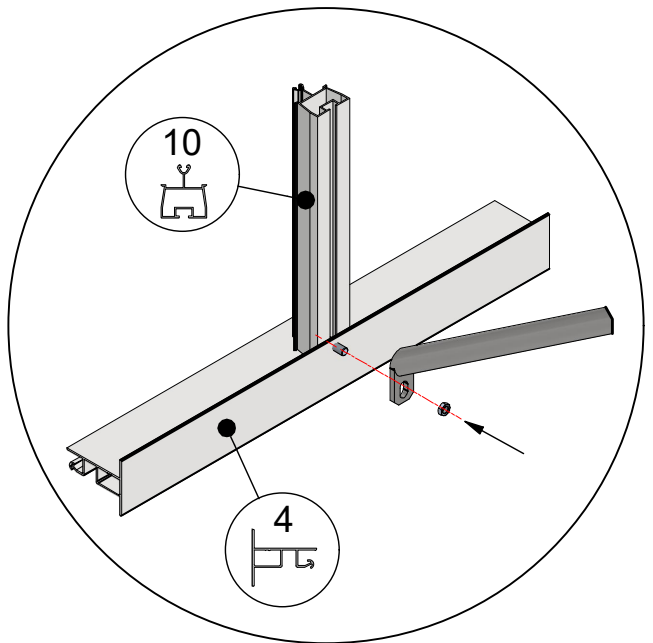
  = 4,8x16

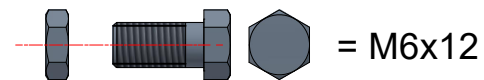
Ø = 4mm 

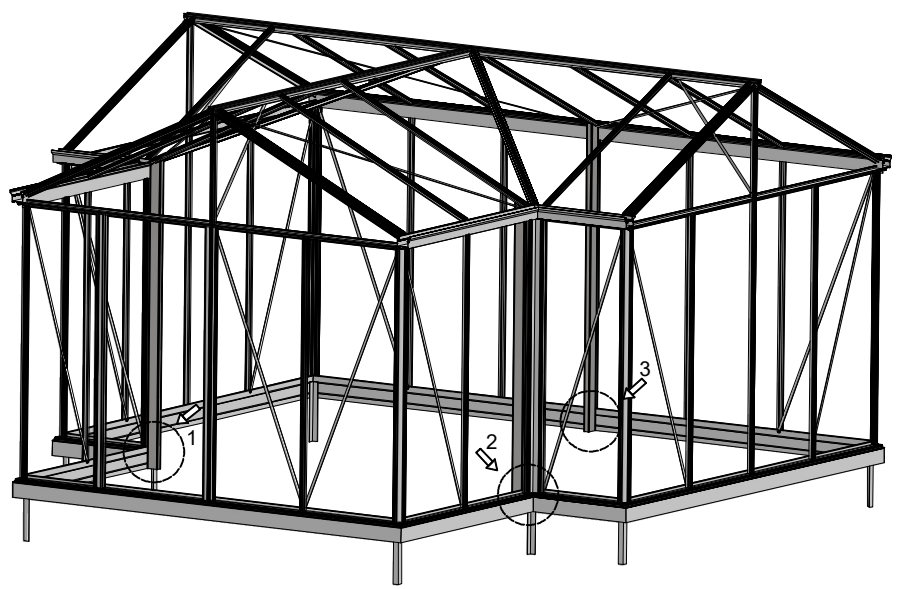
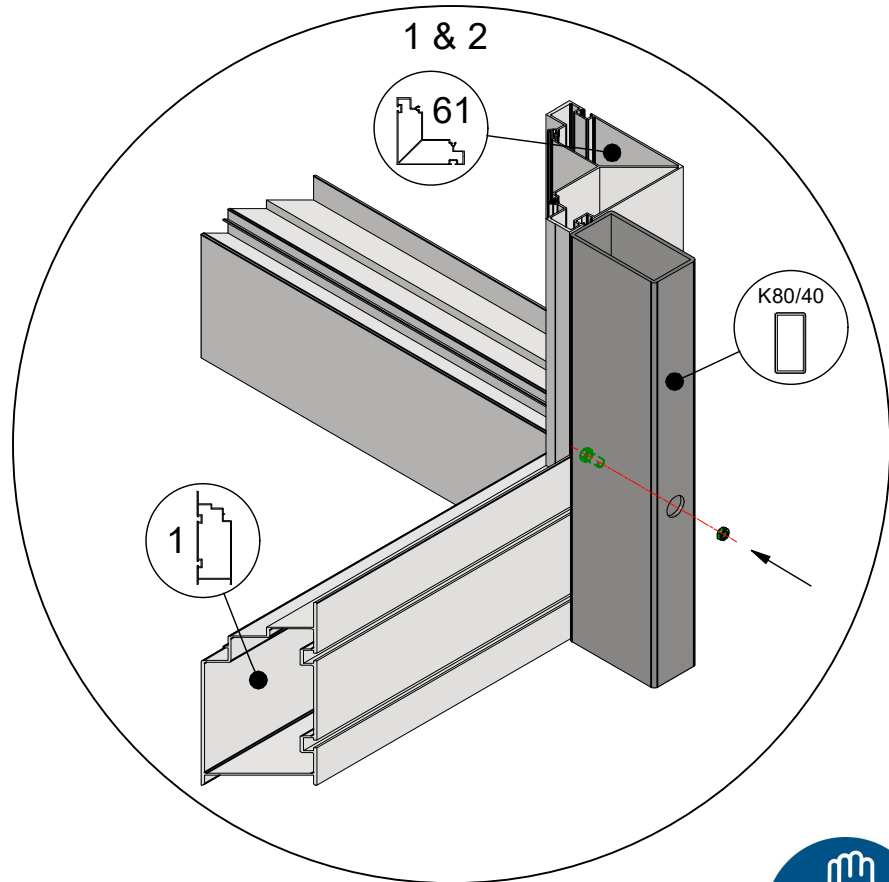
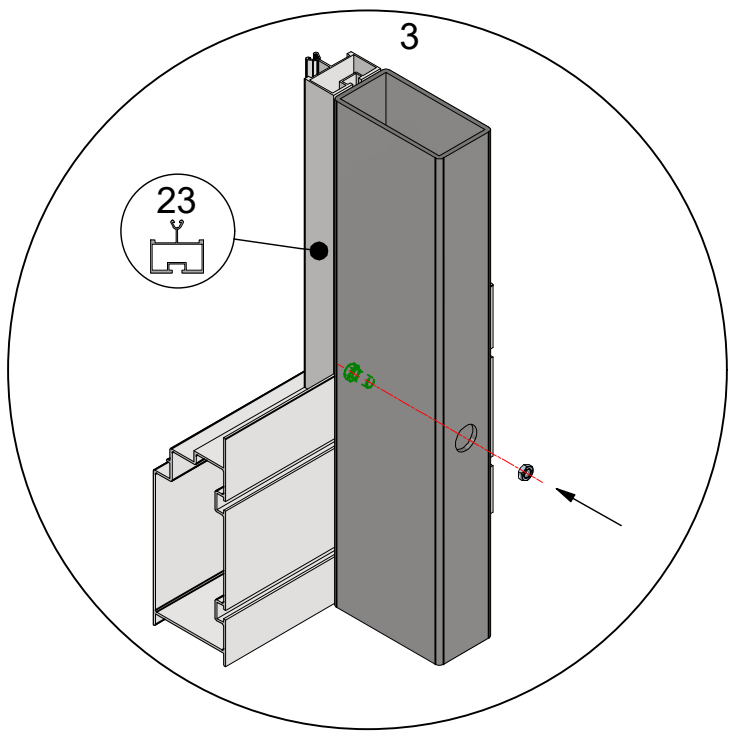





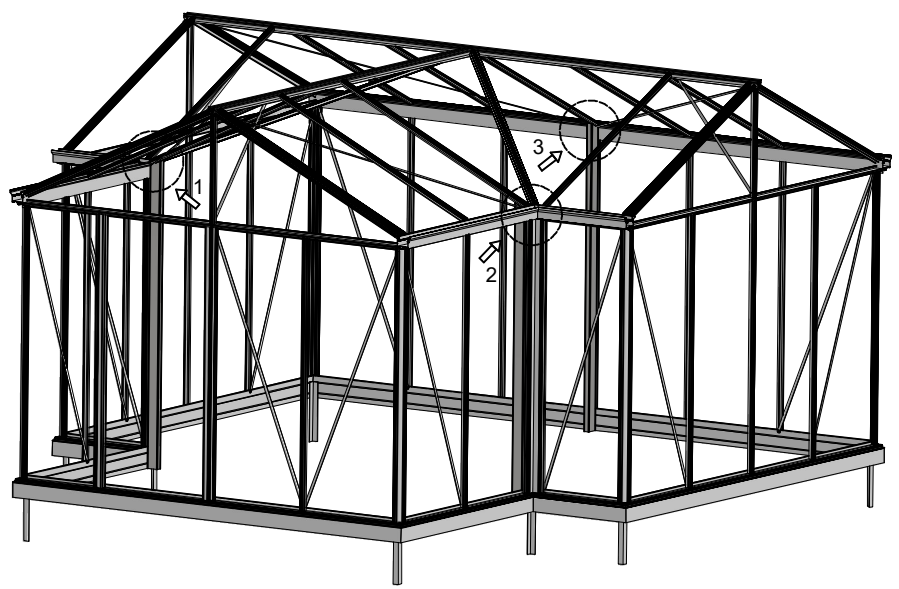
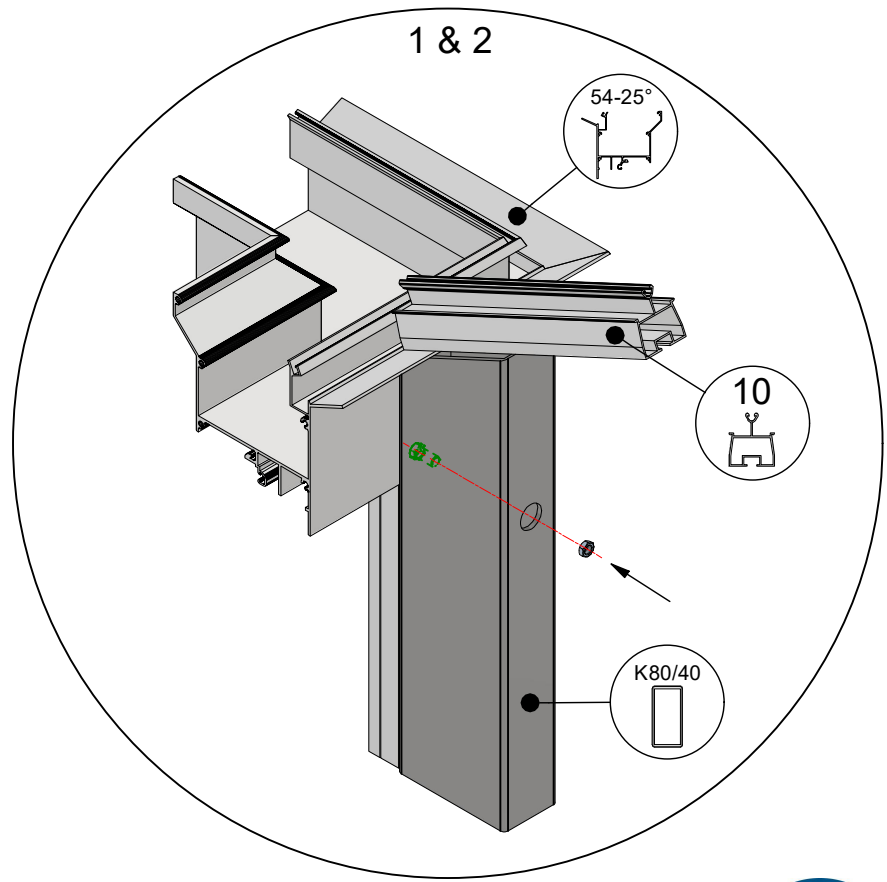
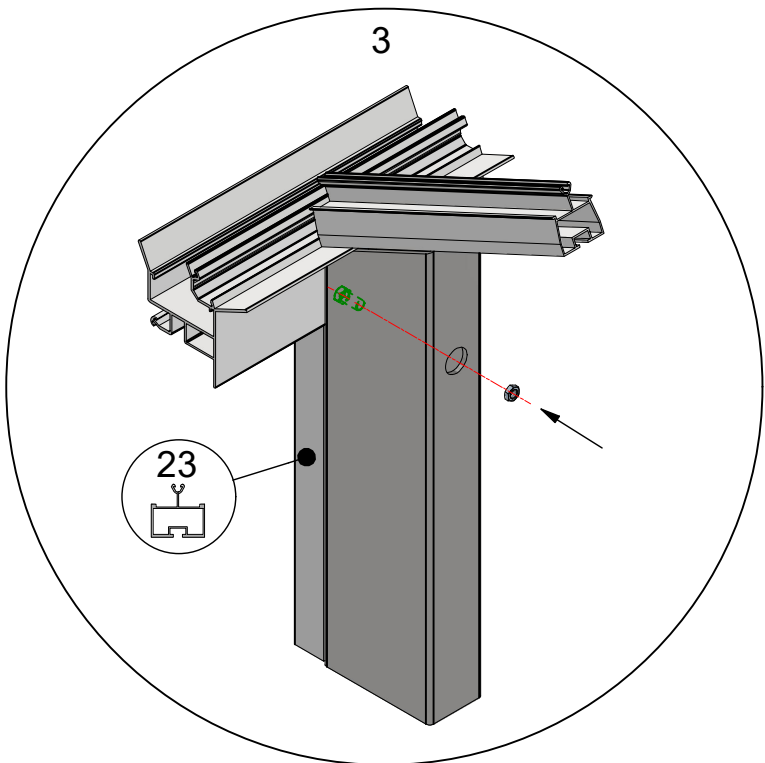
 = M6x12




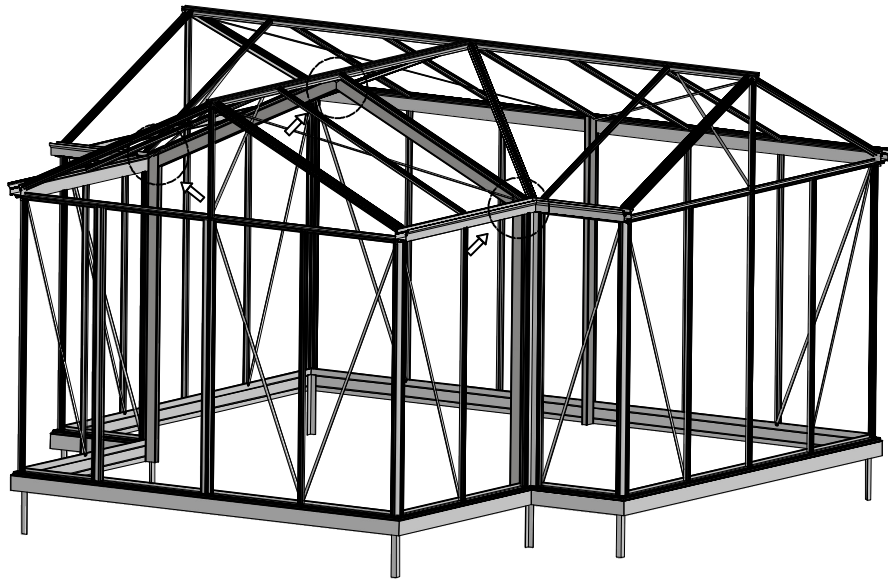
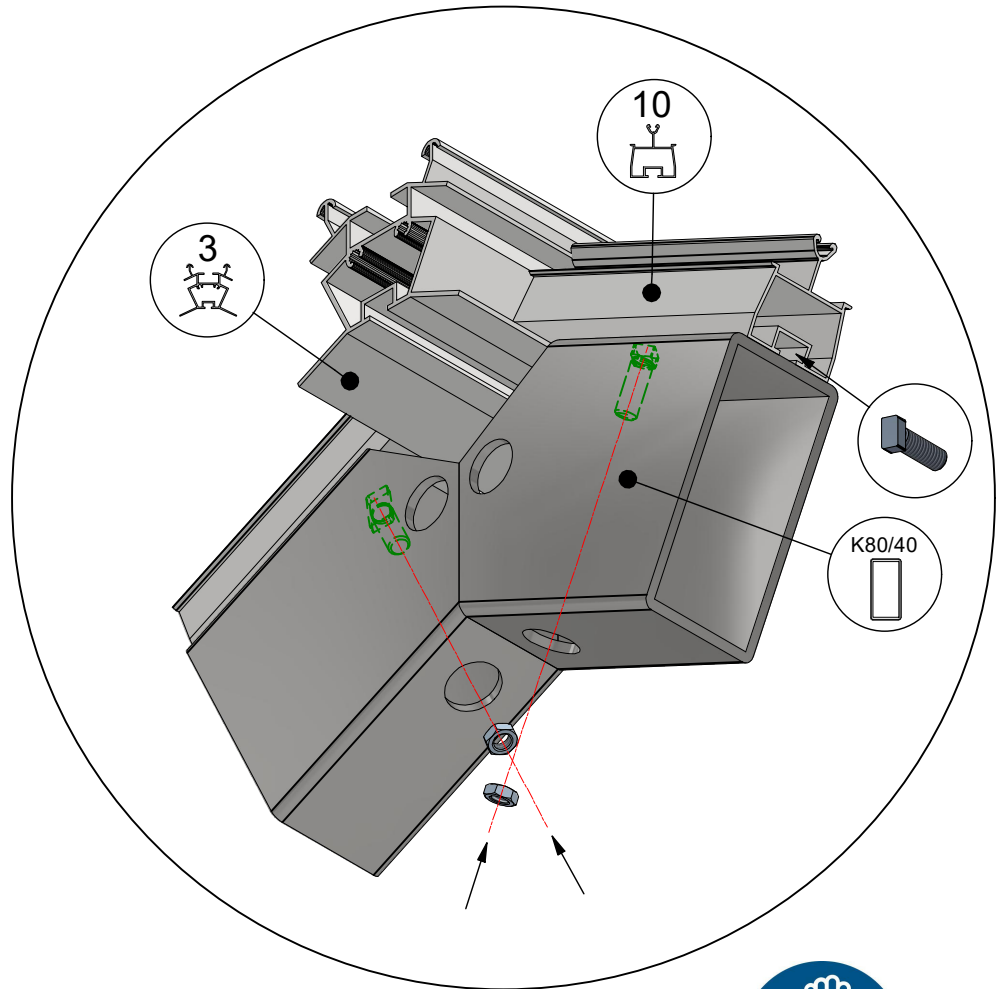
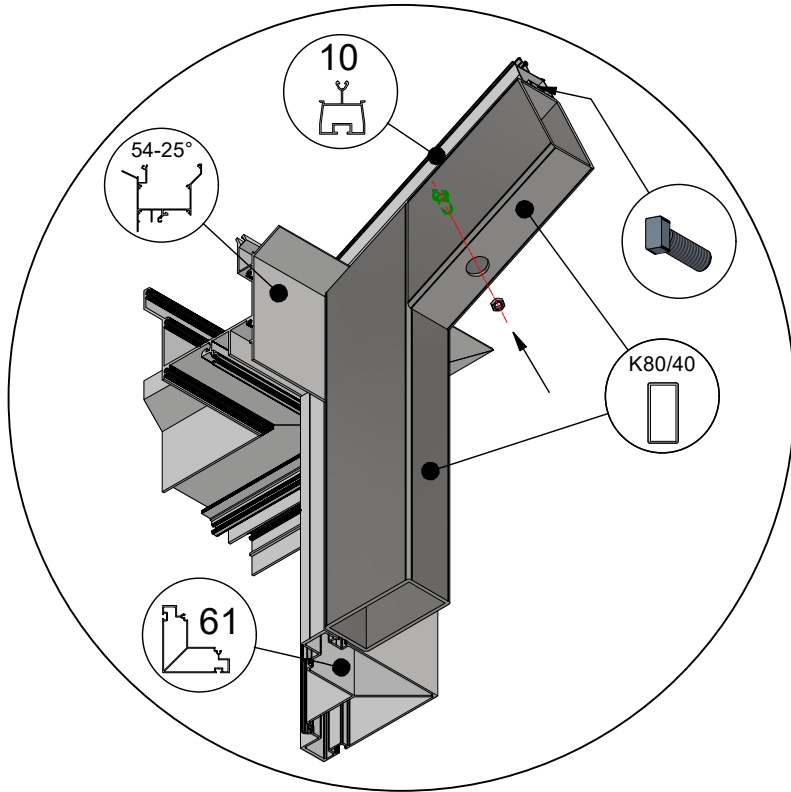
 = M6x12



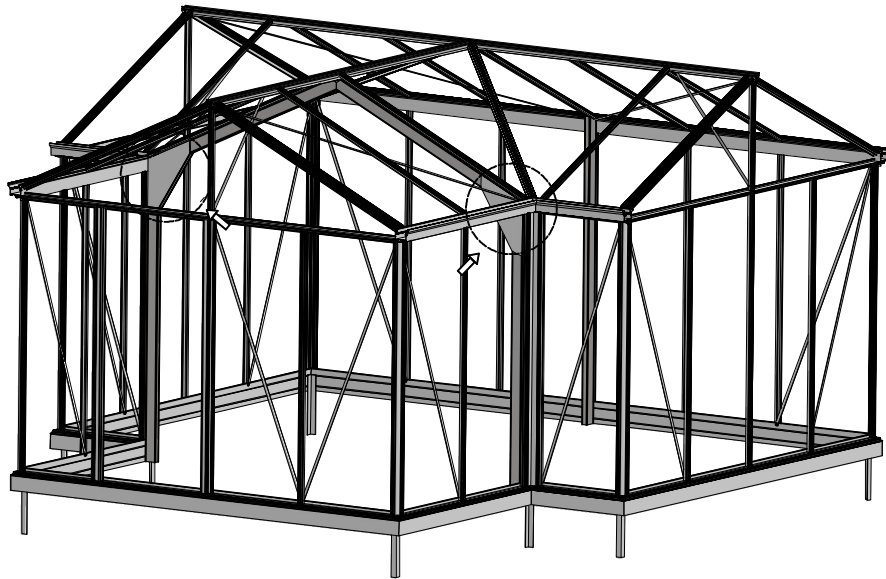
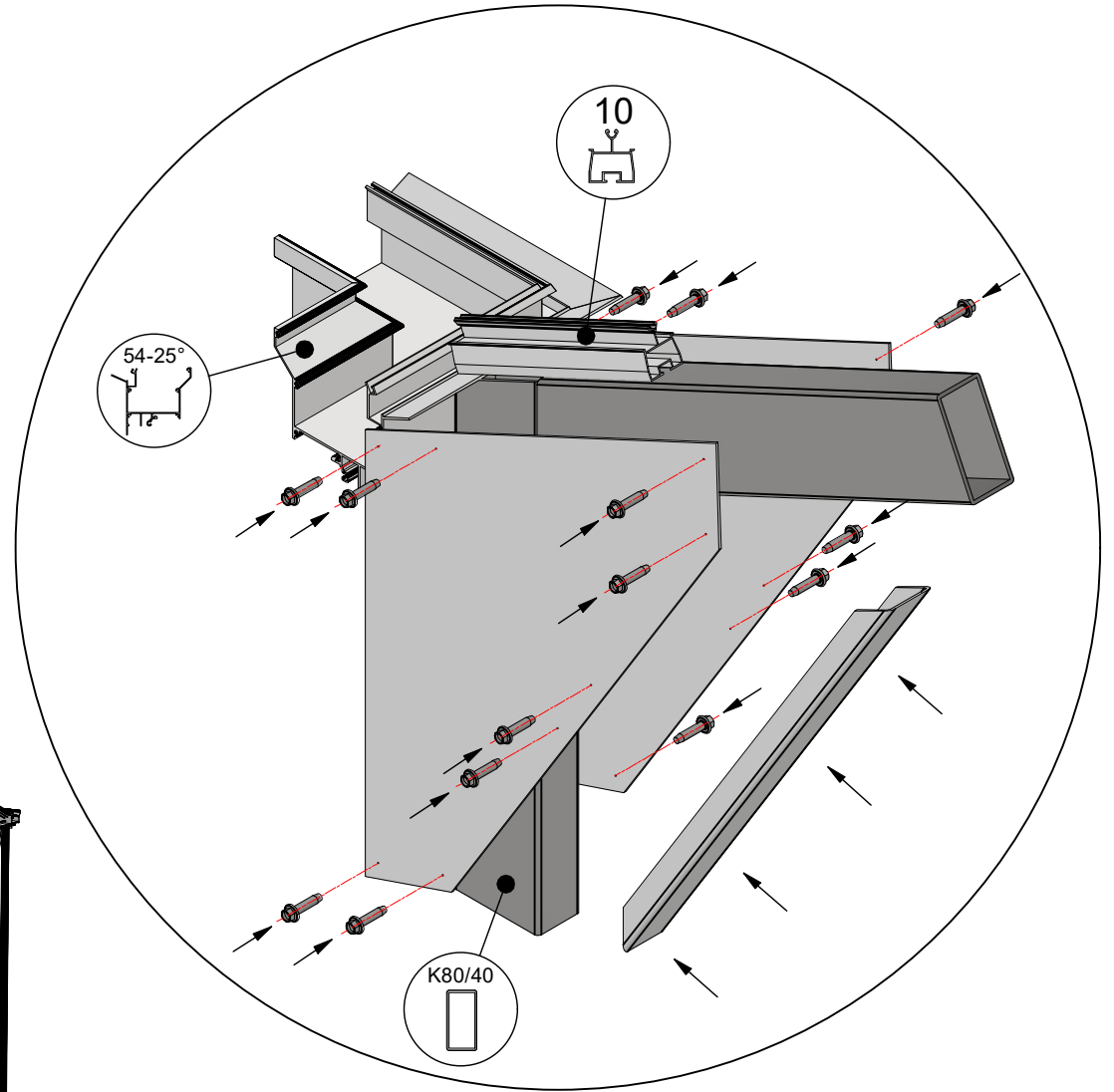
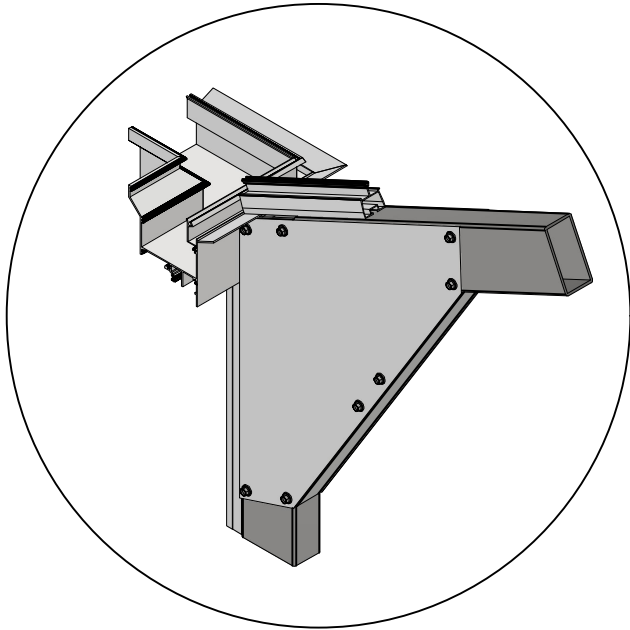
 = M6x12



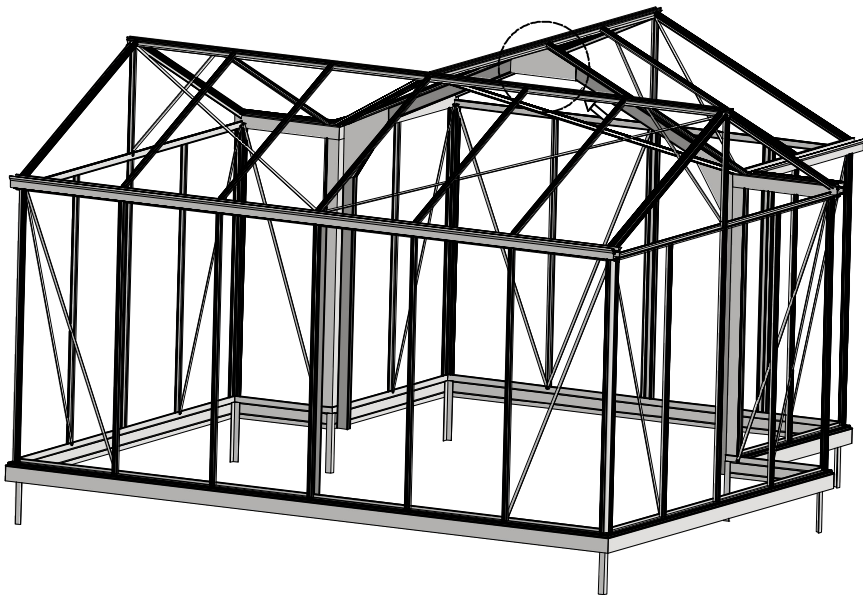
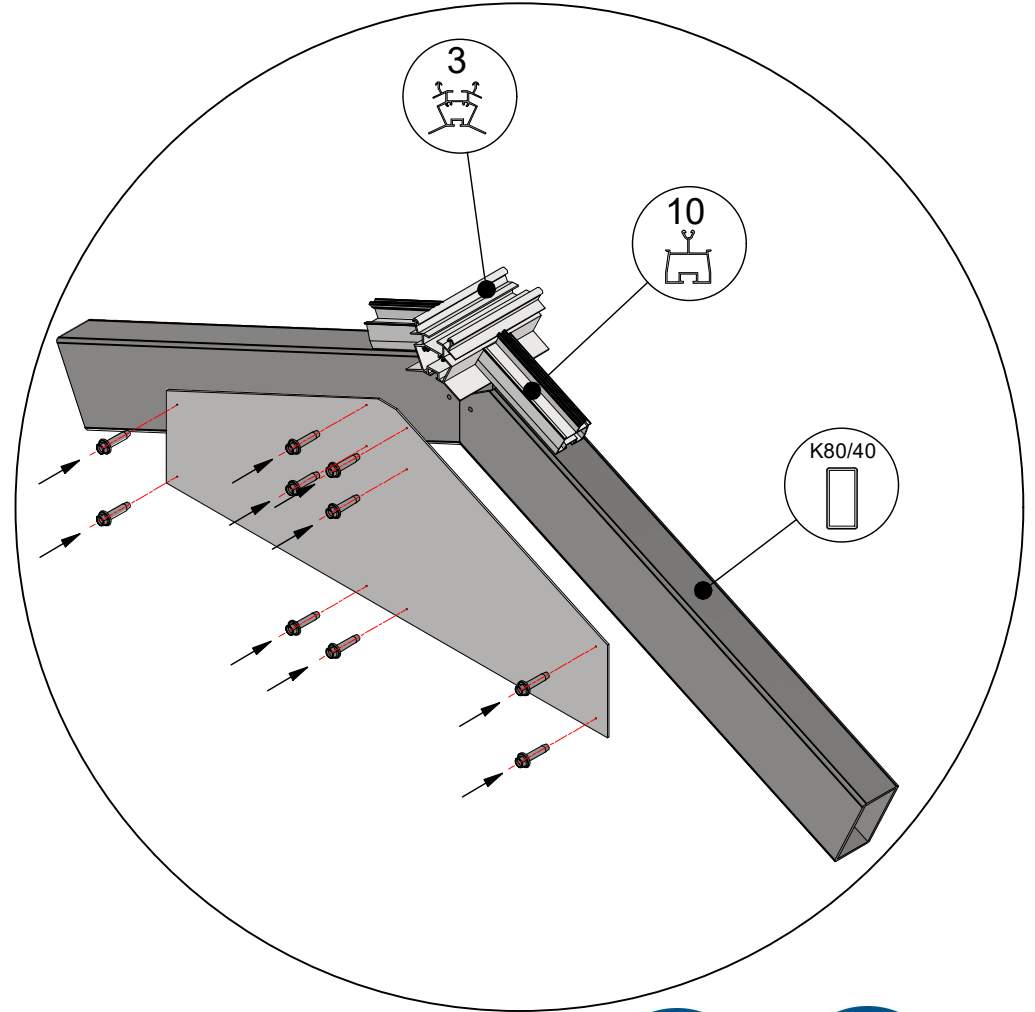
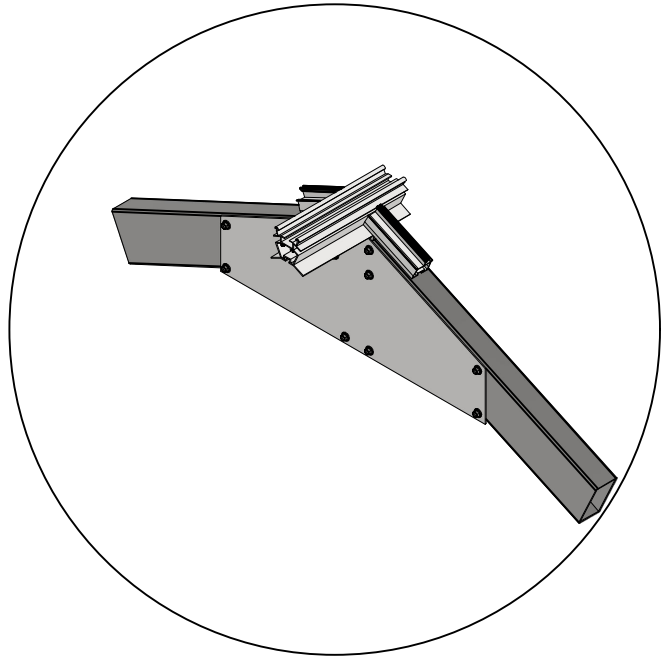
 = M6x16




 = M6x25

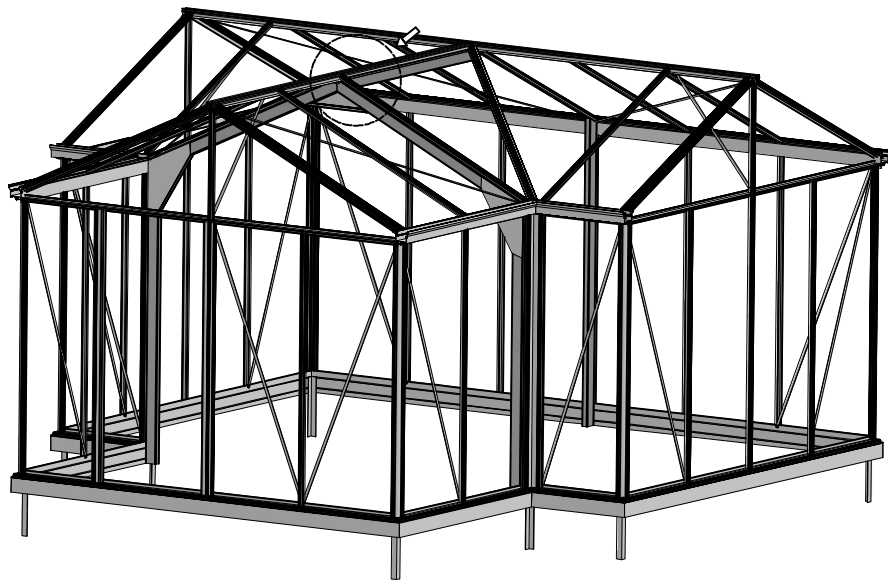
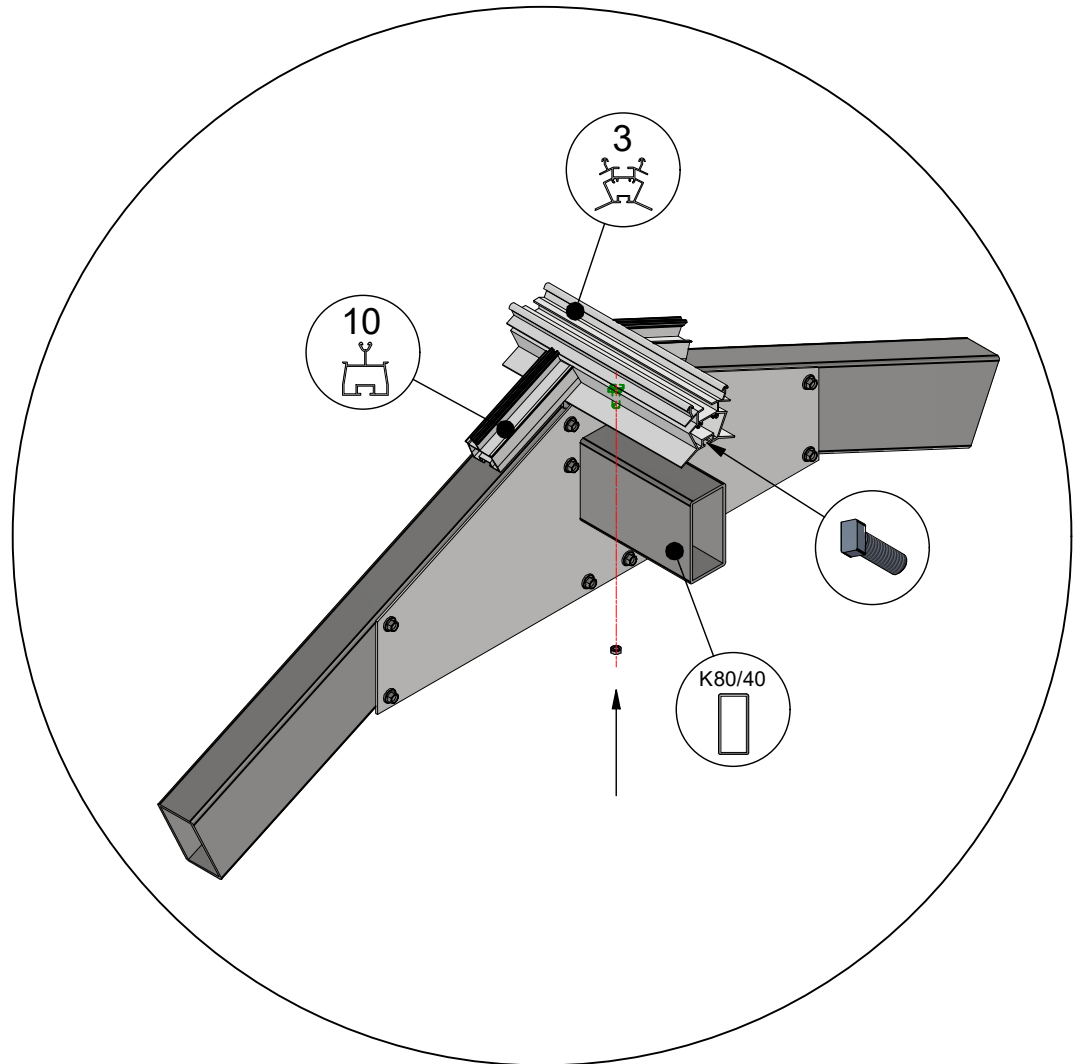
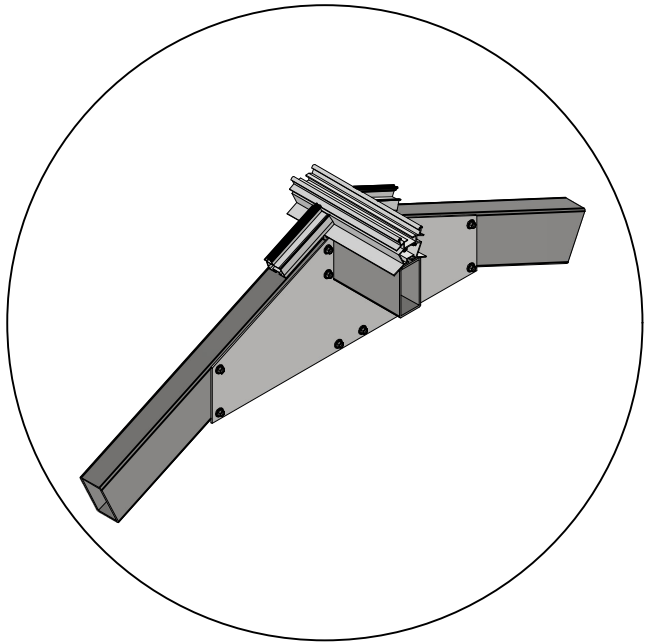



  = M6x25

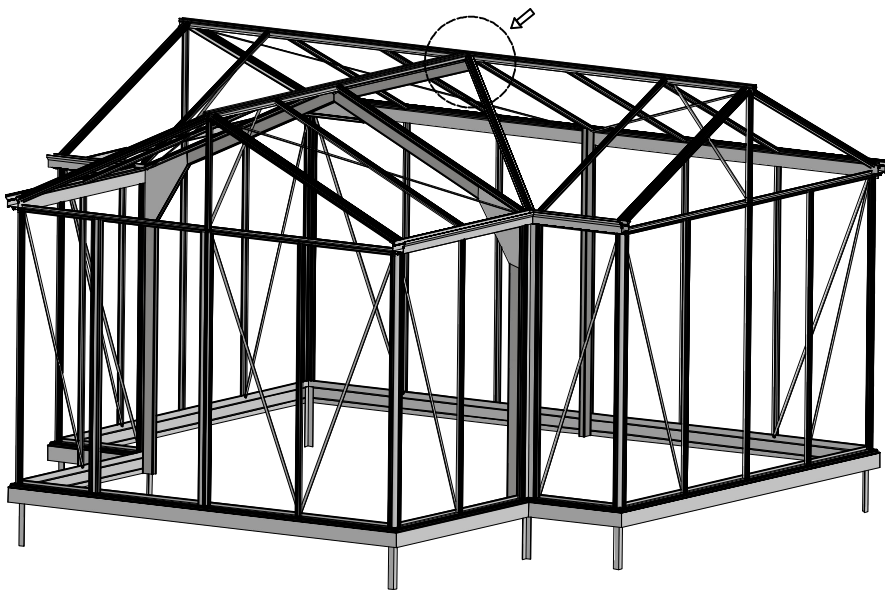
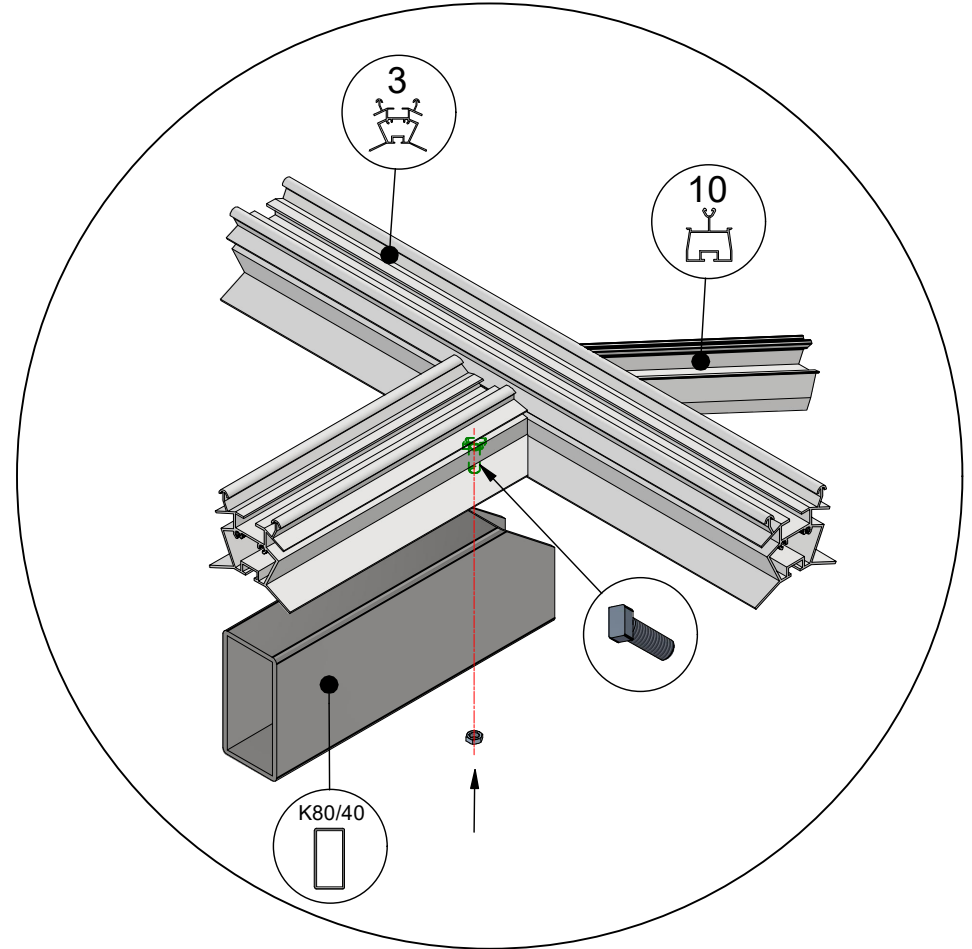
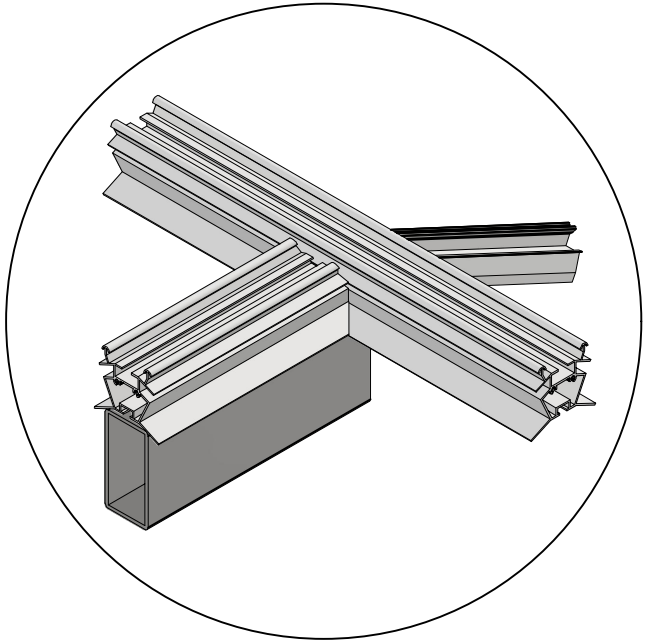


30

 = M6x16

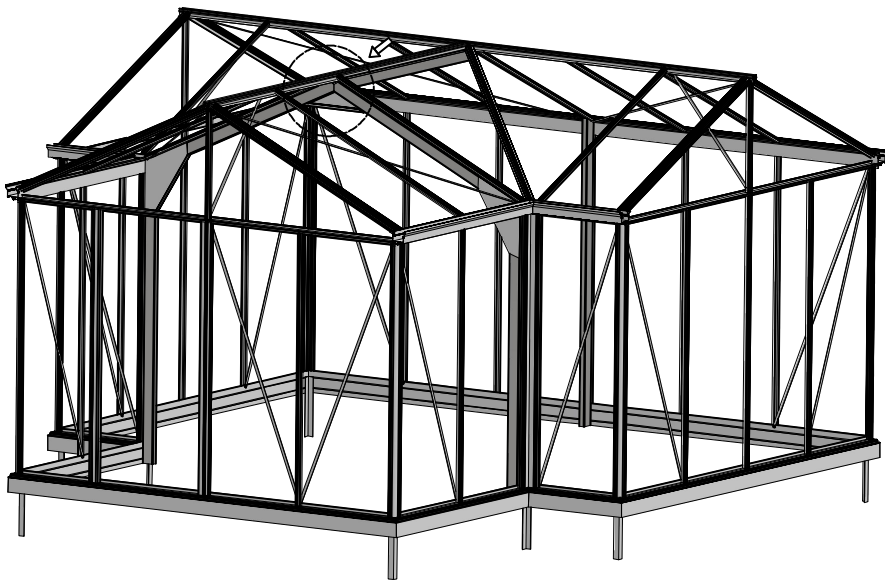
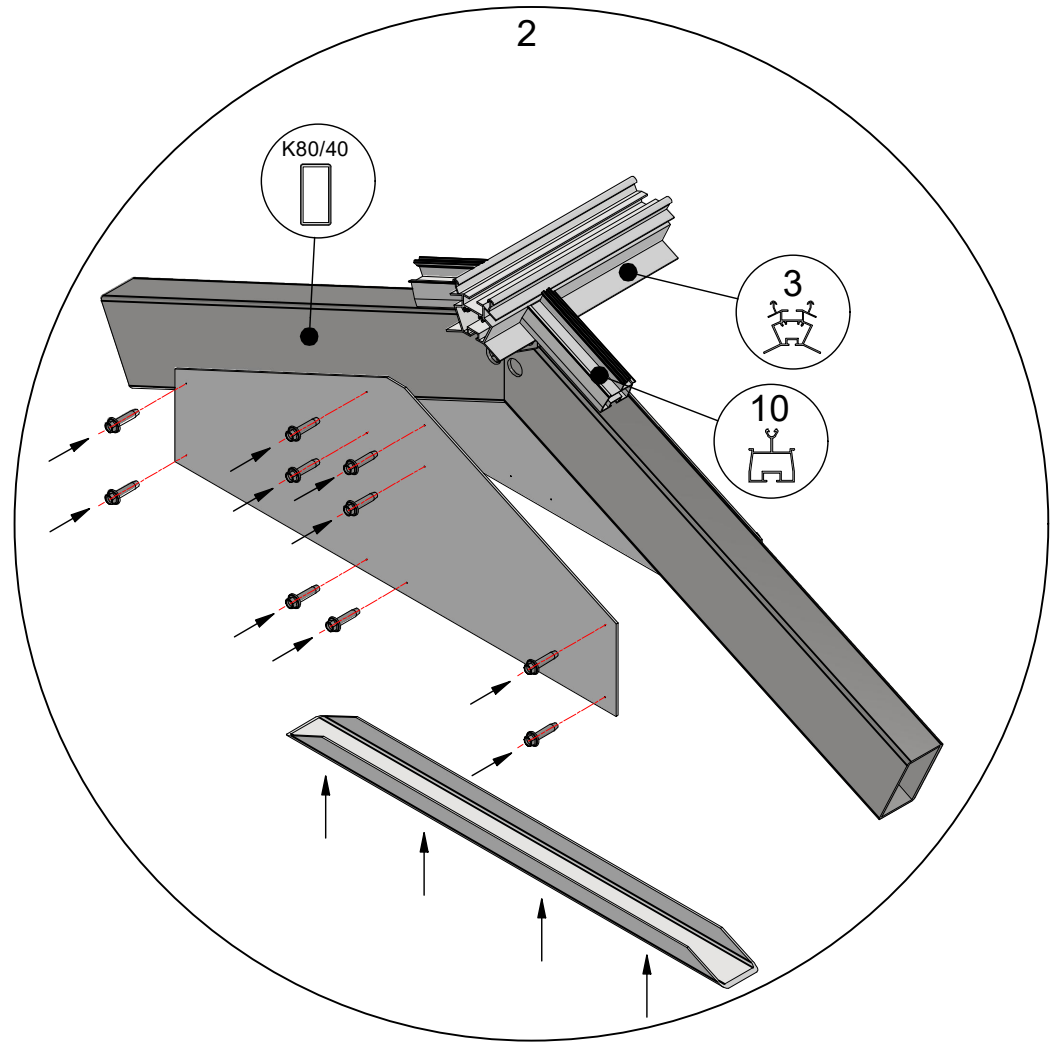
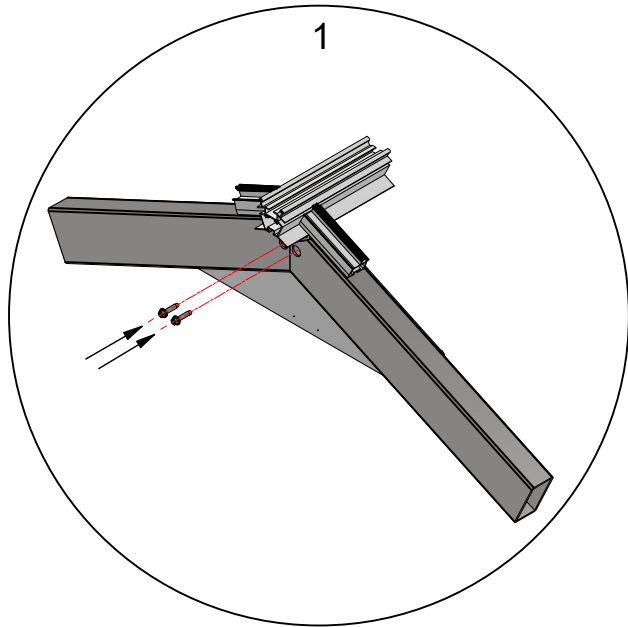



 = M6x16

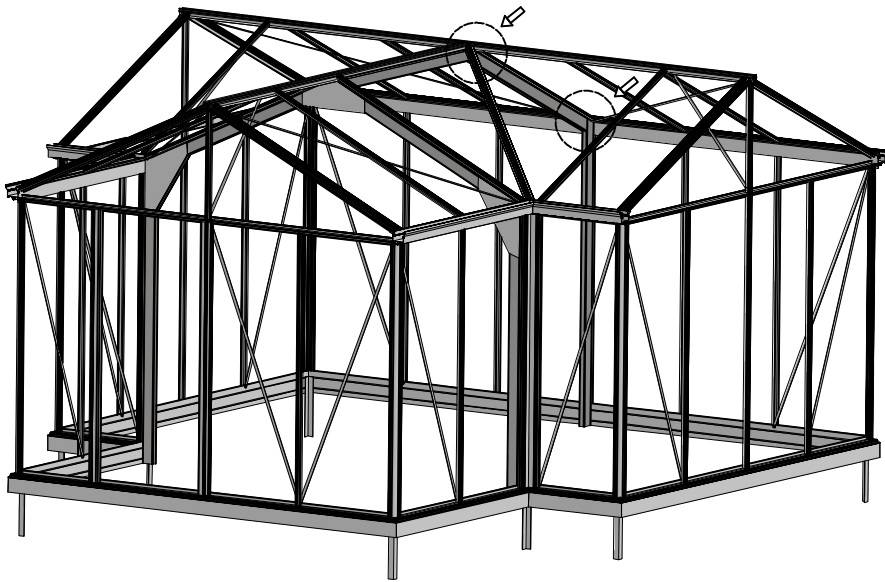
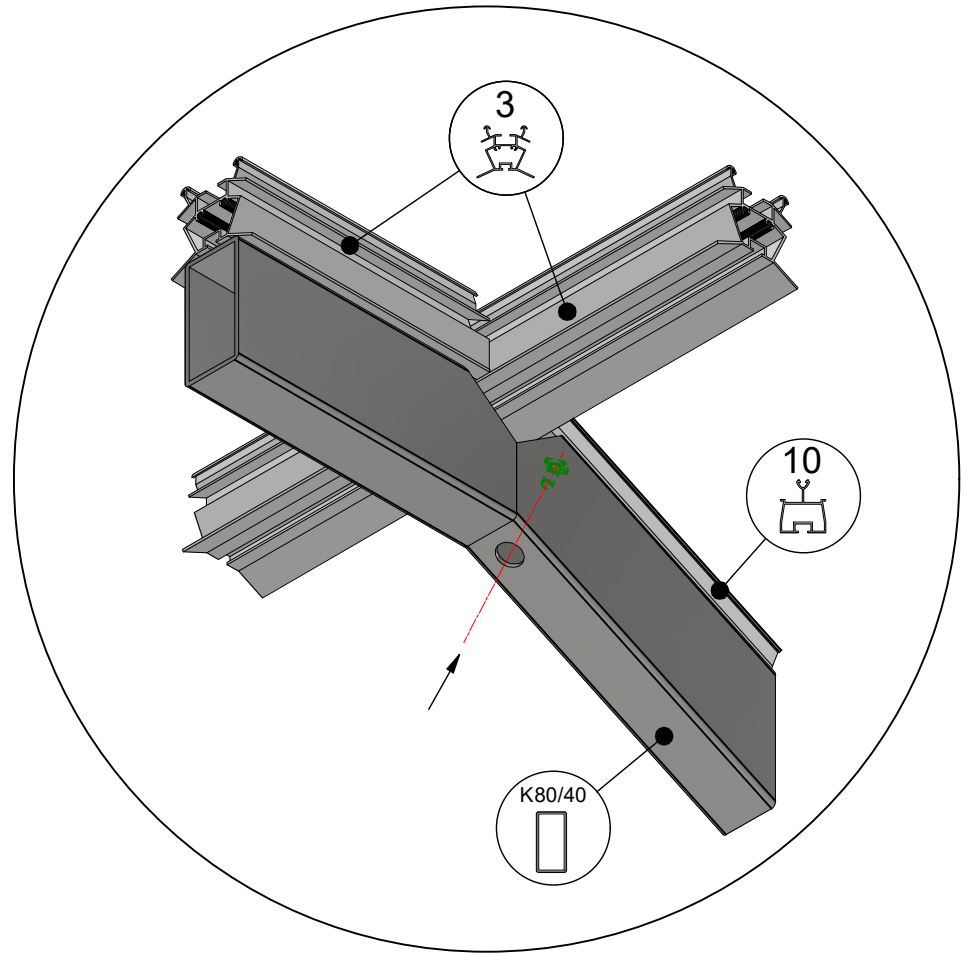
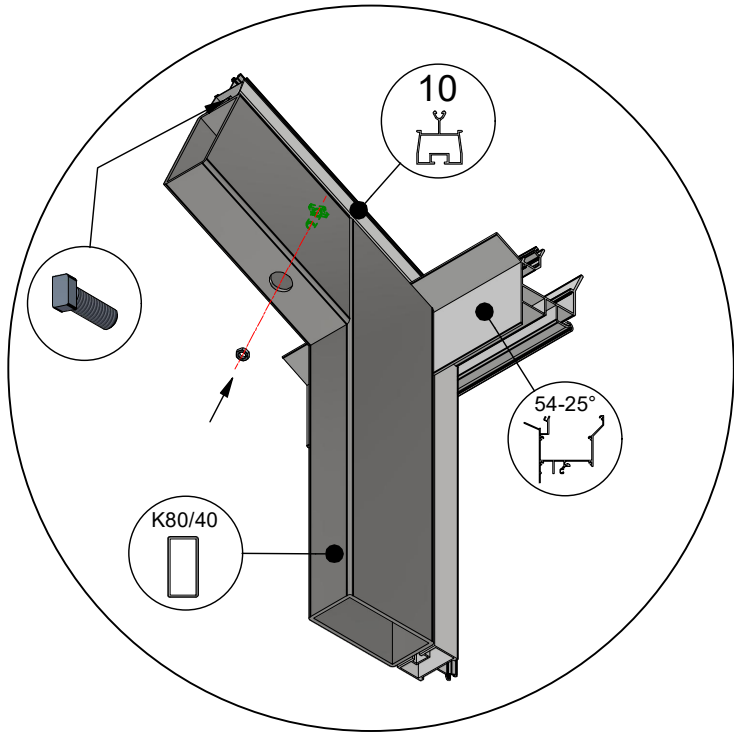




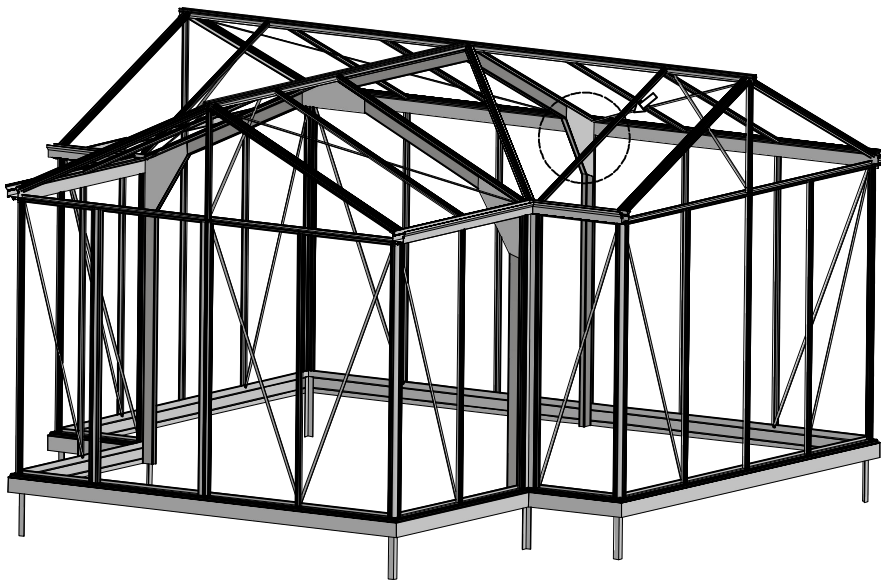
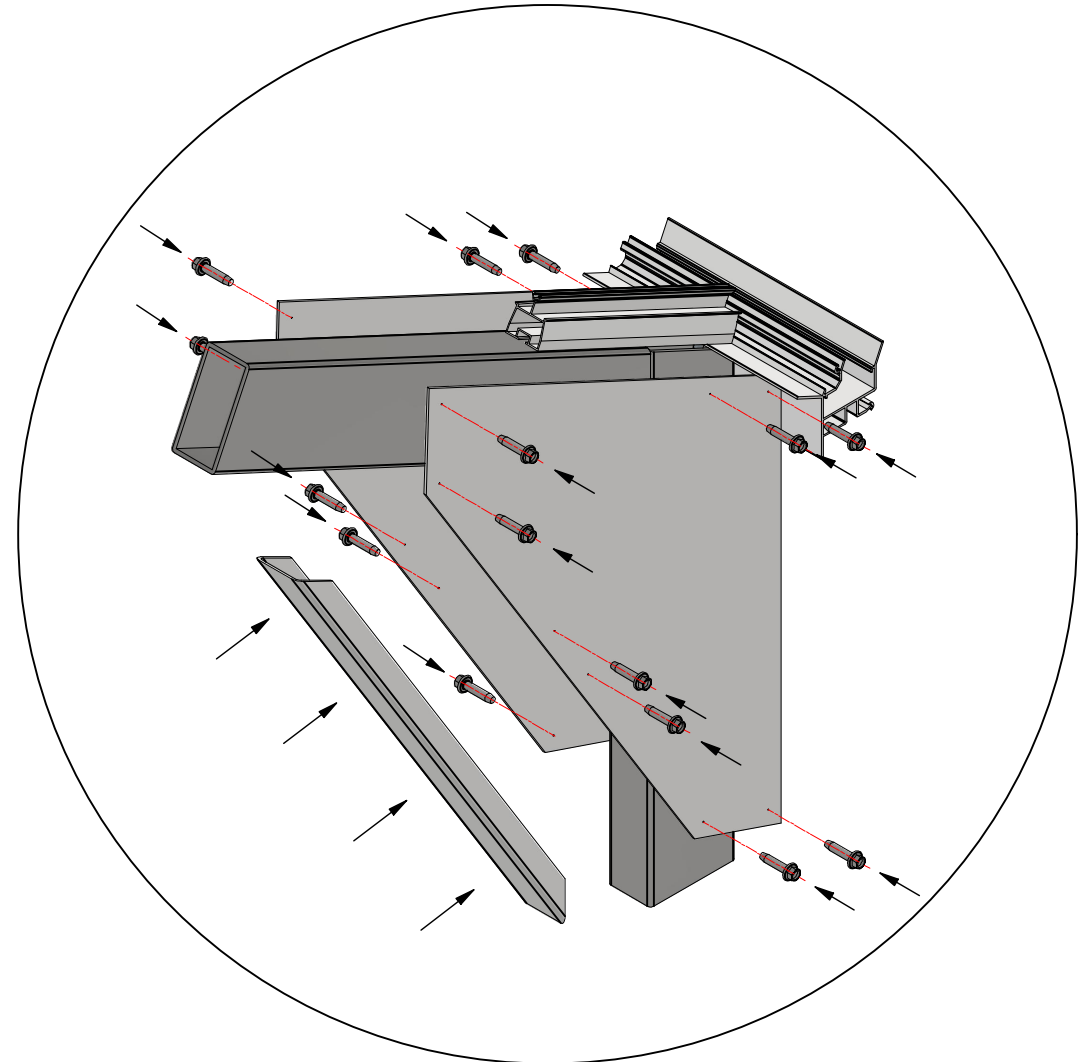
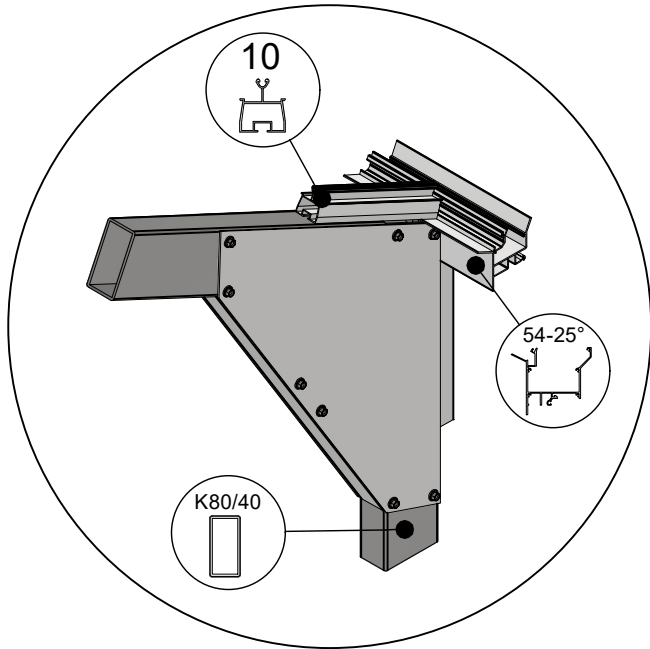
 = M6x25



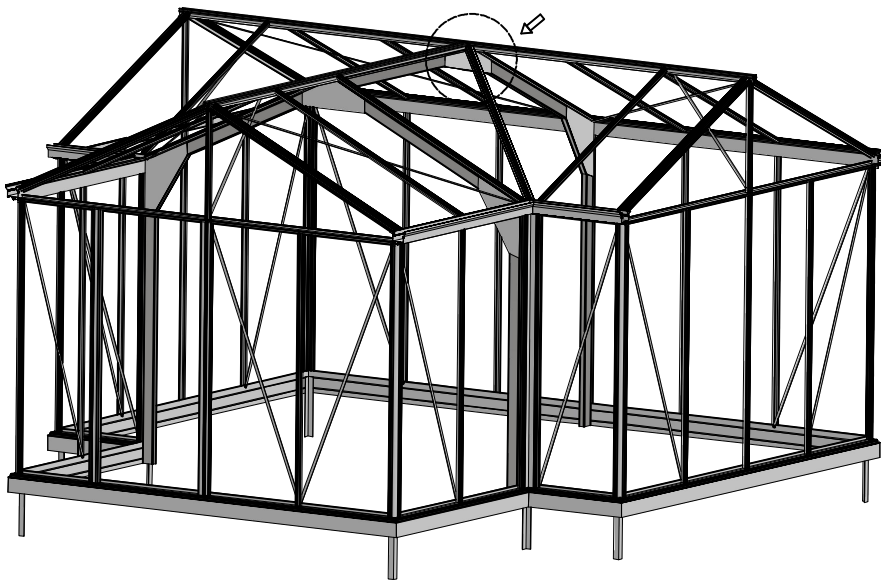
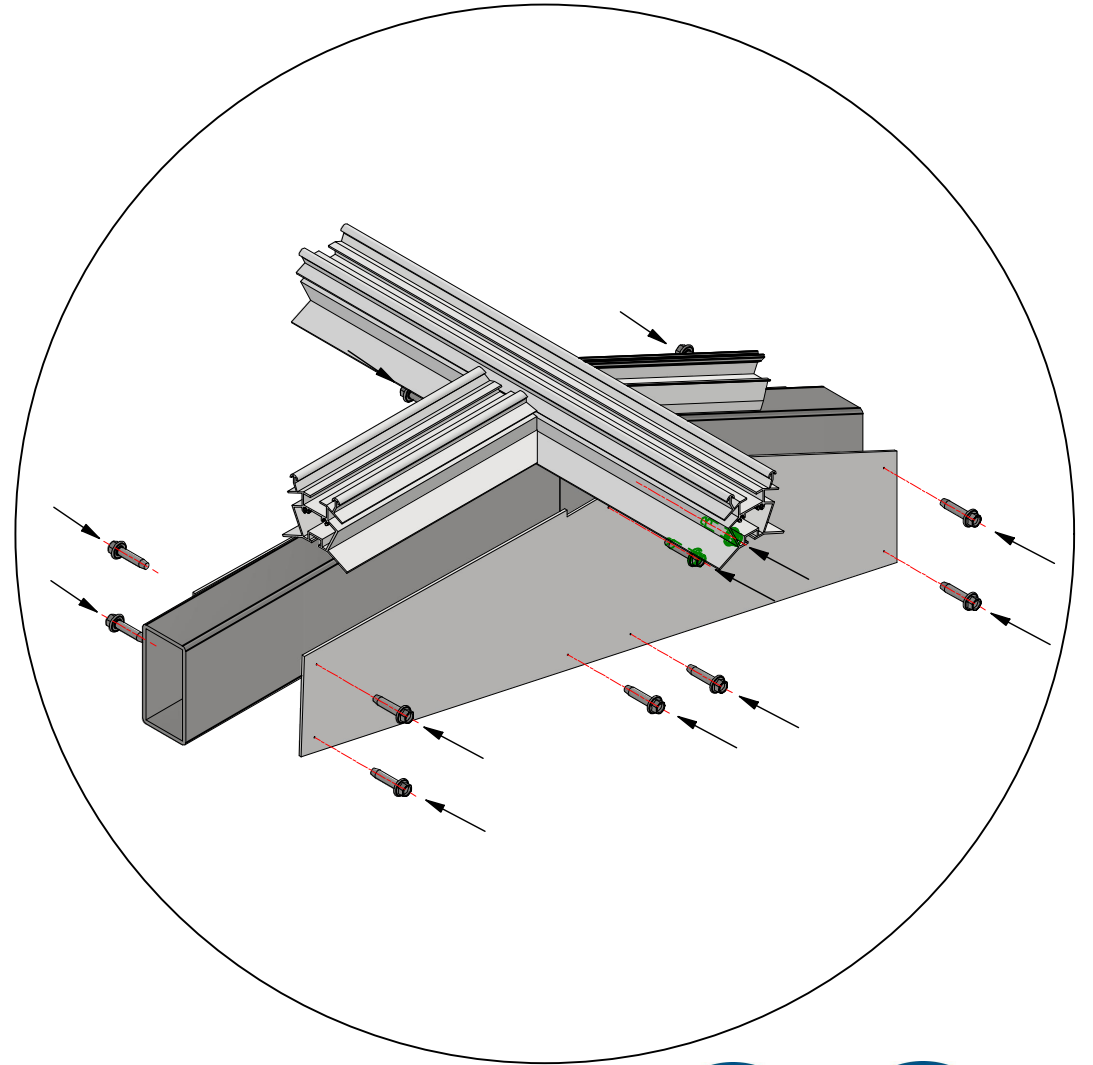
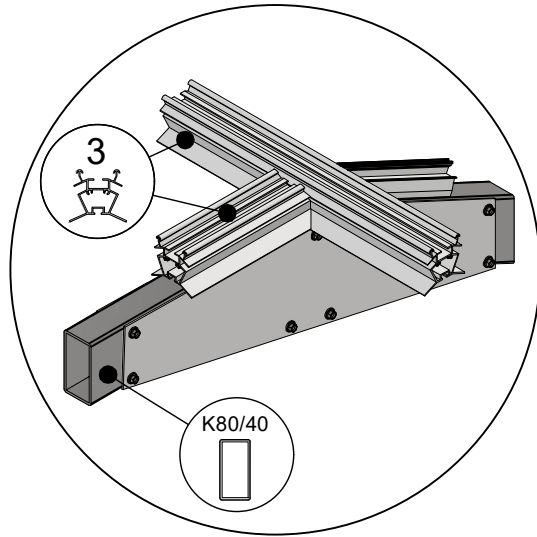
 = M6x16

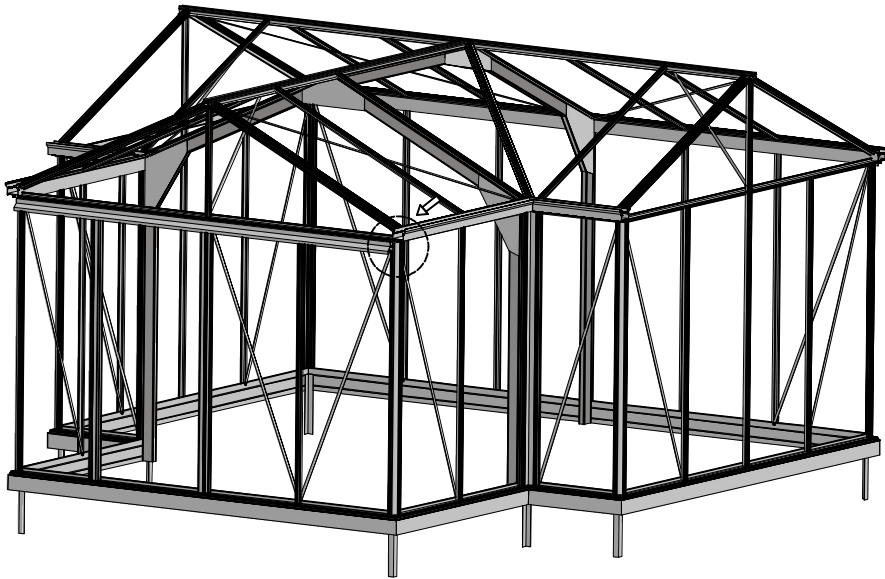
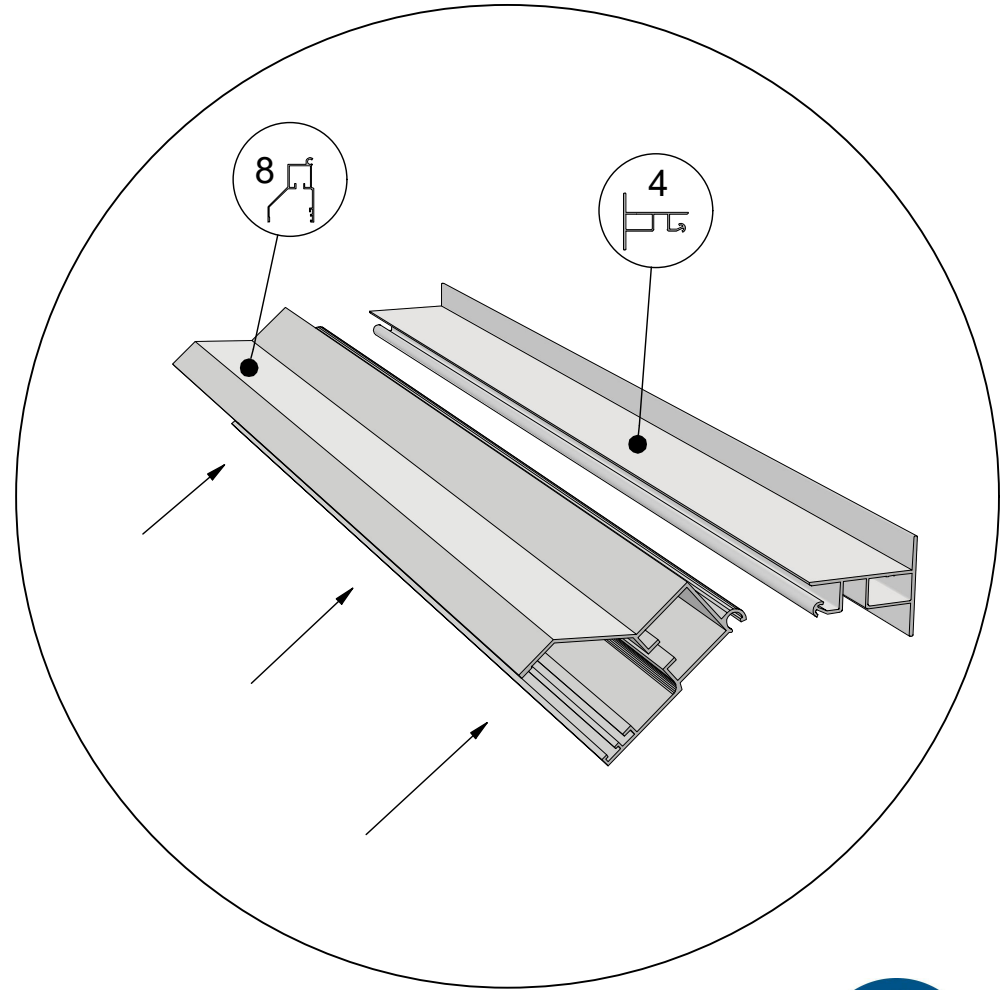
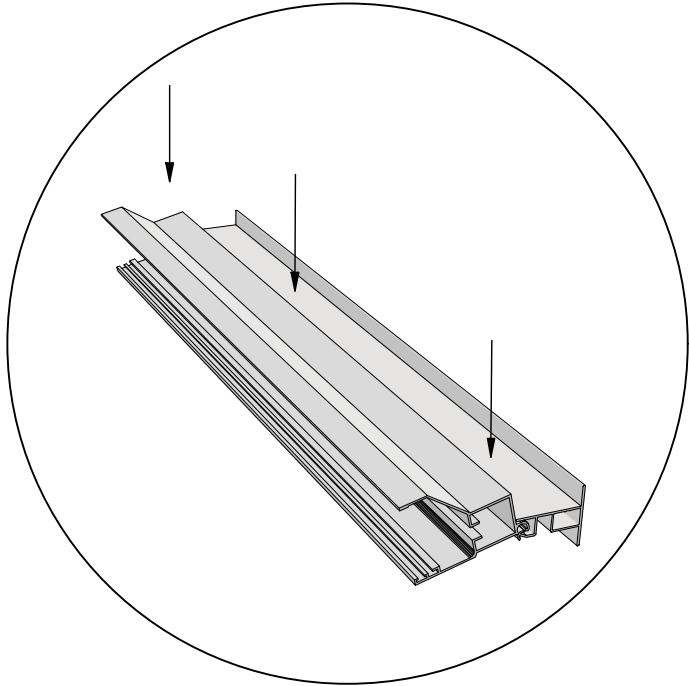


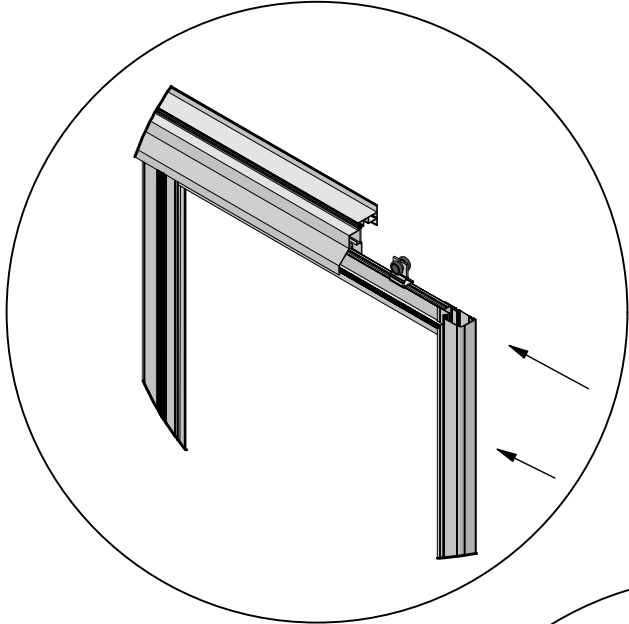
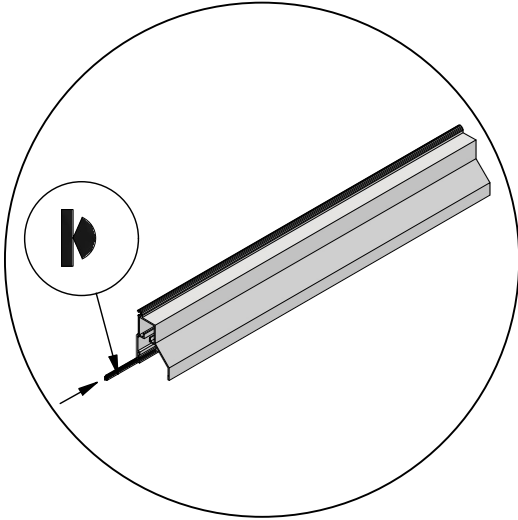
 = M6x25



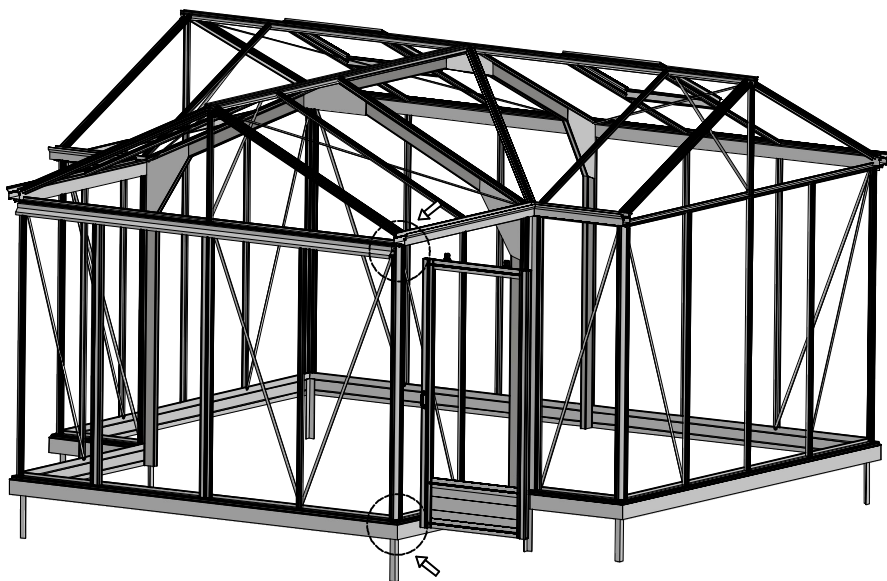
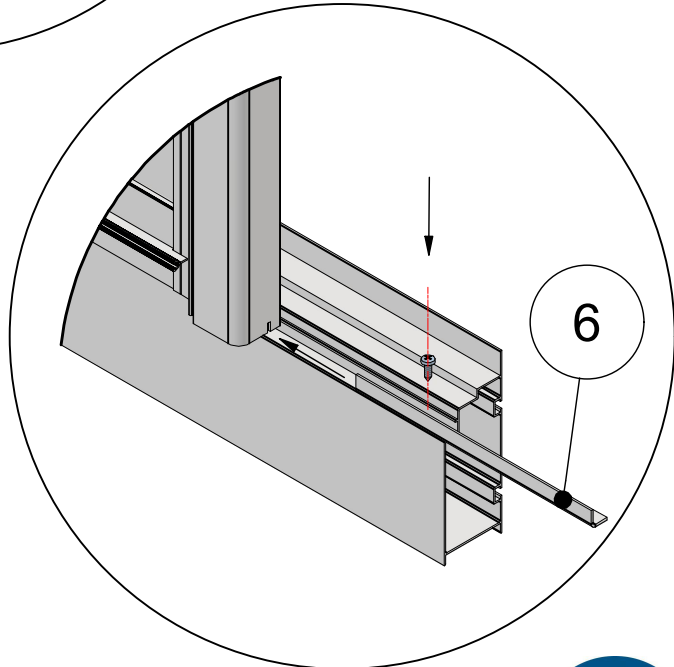
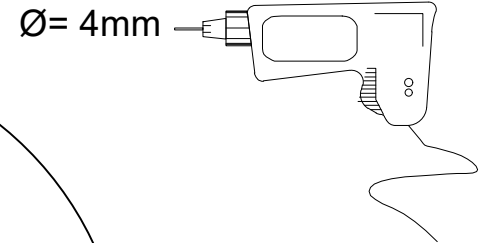
  = M6x25



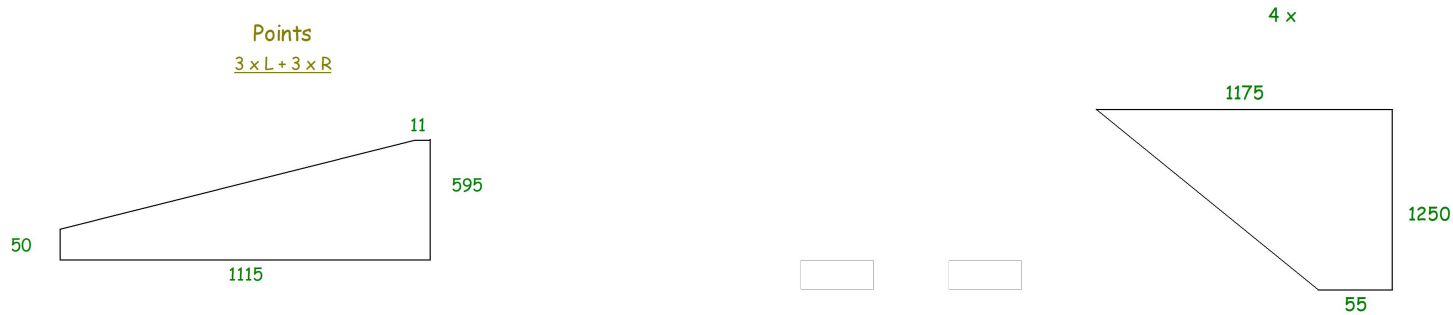




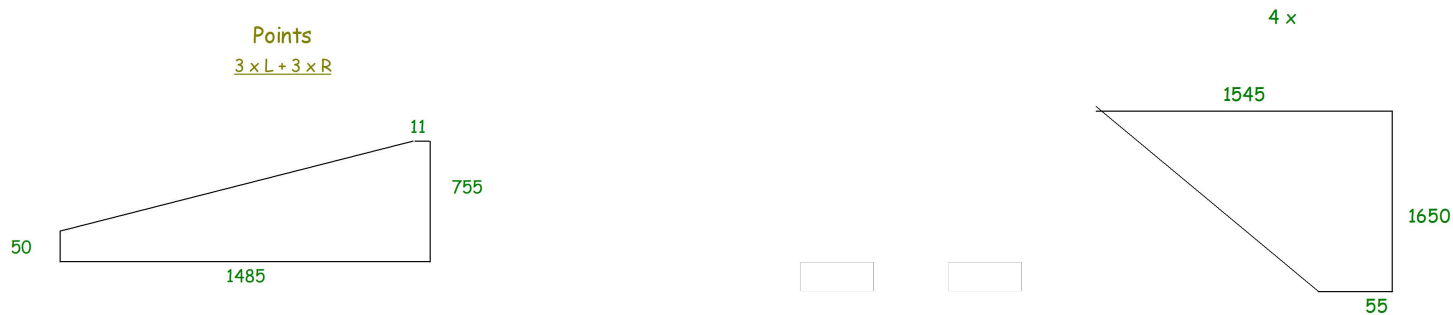
 = 4,8x16



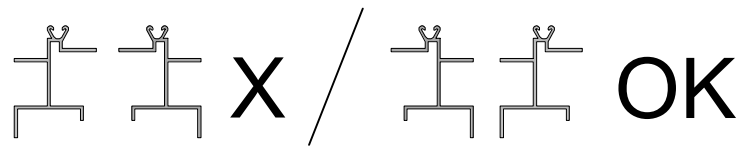
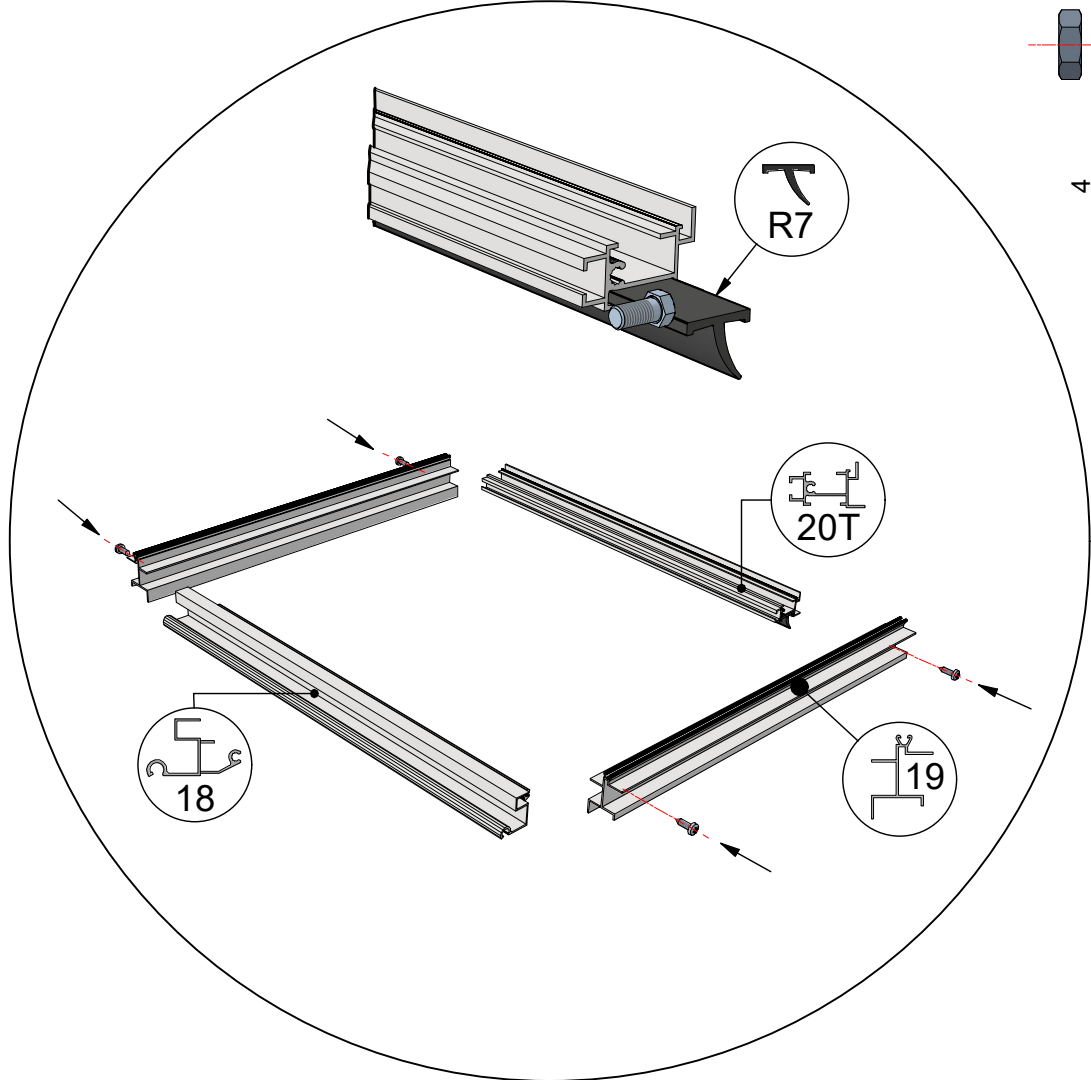
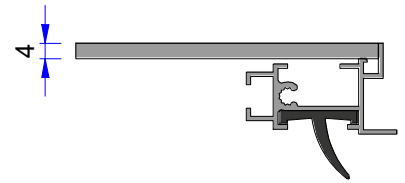
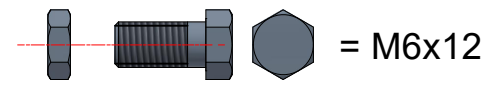
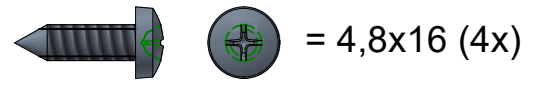
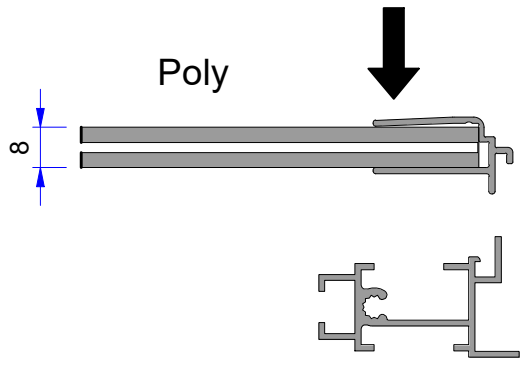
Glass Dimensions Nv Euro-serre			Euro Classic T 2,36m					GlassH: 1850 1850						
Glass Size 730mm			Side			Door		Roof						
			1850 x 730	1850 x 573	1850 x 625	1850 x 360	1450 x 730	1250 x 730	1250 x 360	1250 x 625	825 x 730	425 x 730	m <sup>2</sup>	m <sup>2</sup>
Euro Classic T	2,36	x 3,80m	15	1	2	2	1	6	2	2	2	2	26,0	9,8
Euro Classic T	2,36	x 5,30m	19	1	2	2	1	9	2	2	3	3	31,4	13,4
Euro Classic T	2,36	x 6,77m	23	1	2	2	1	12	2	2	4	4	36,8	17,1
													9,86 m <sup>2</sup>	



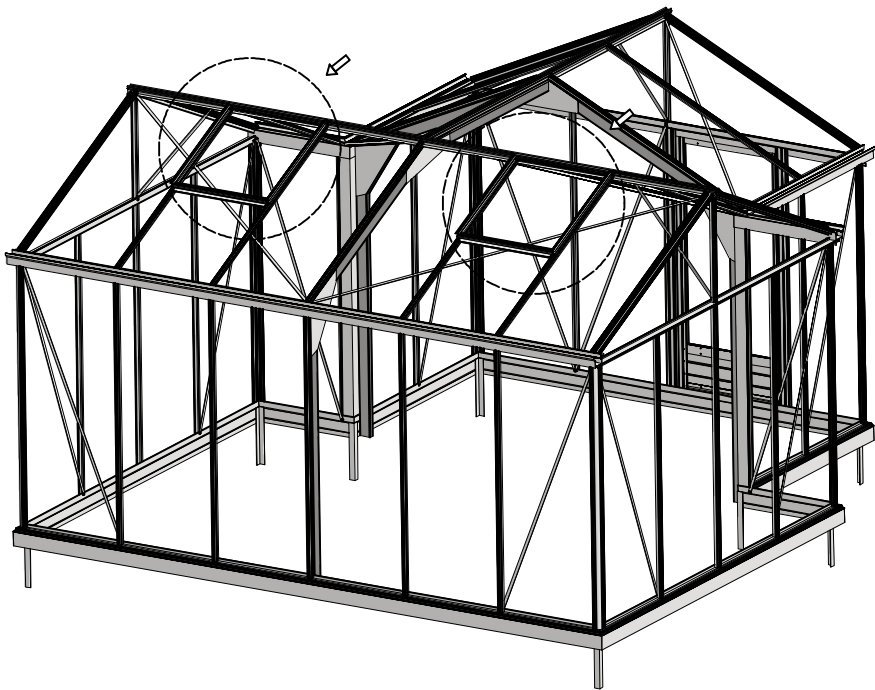
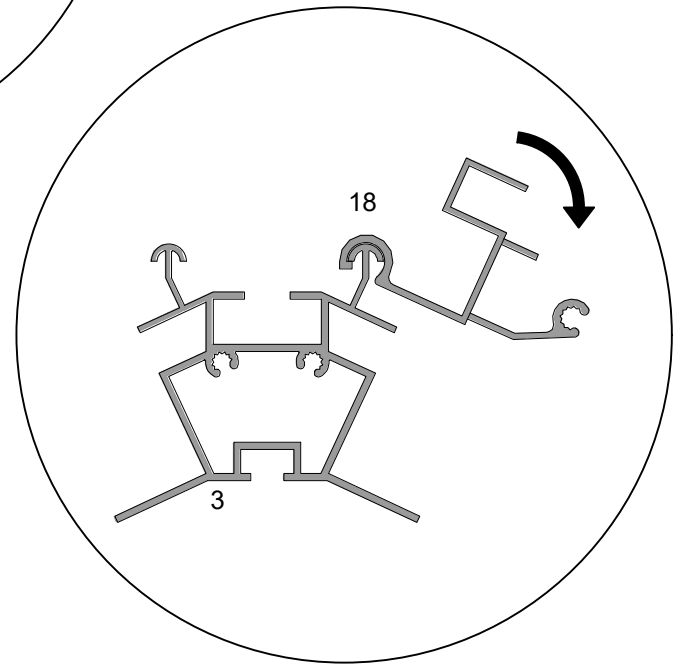
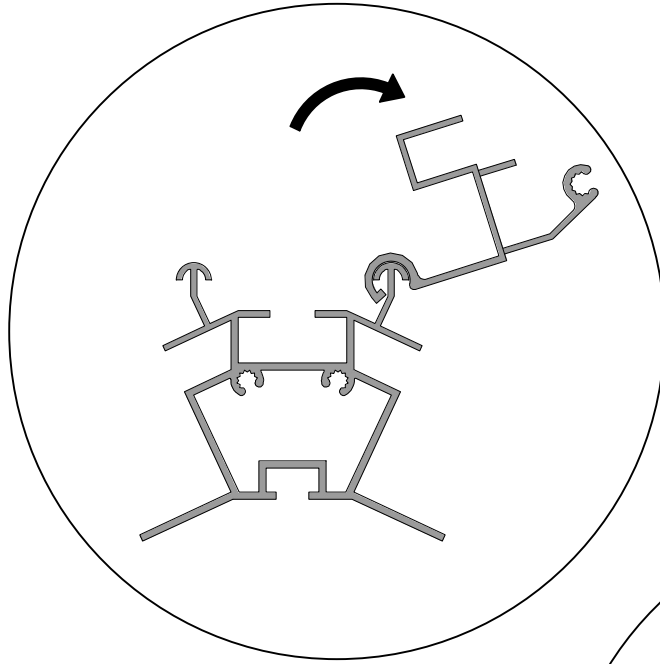
Glass Dimensions Nv Euro-serre			Euro Classic T 3,09m					GlassH: 1850 1850						
Glass Size 970mm			Side			Door		Roof						
			1850 x 730	1850 x 573	1850 x 625		1450 x 730	1650 x 730		1650 x 625	825 x 730		m <sup>2</sup>	m <sup>2</sup>
Euro Classic T	3,09	x 4,57m	20	1	2		1	8		2	4		31,4	14,1
Euro Classic T	3,09	x 6,04m	24	1	2		1	11		2	6		36,8	18,9
Euro Classic T	3,09	x 7,53m	28	1	2		1	14		2	8		42,2	23,7
													16,92 m <sup>2</sup>	

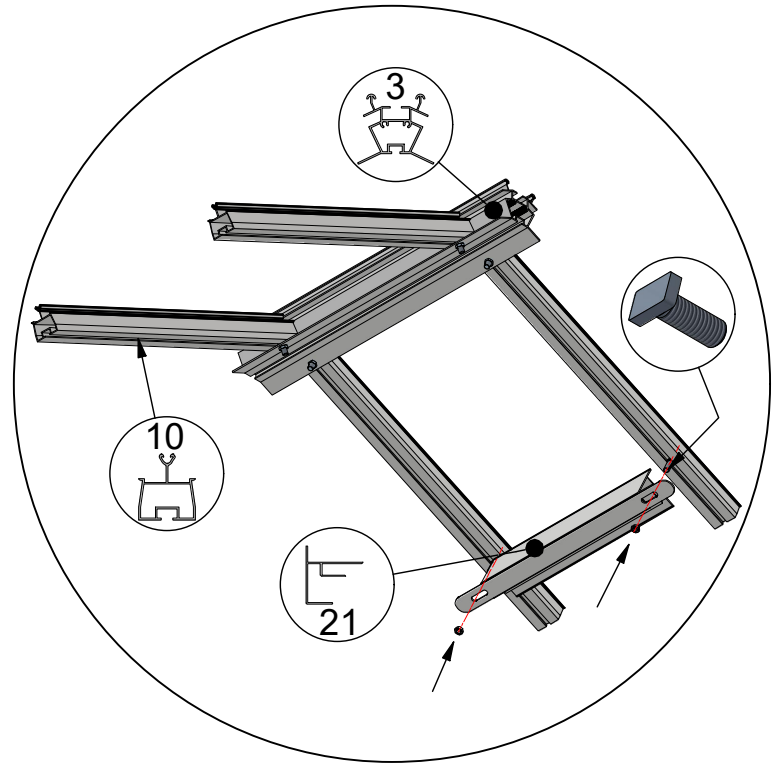
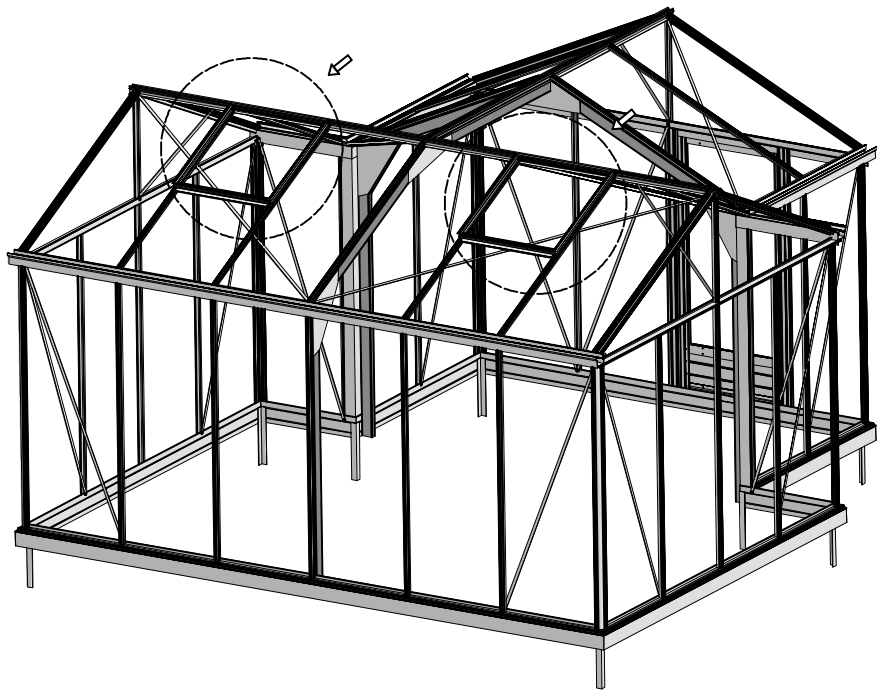
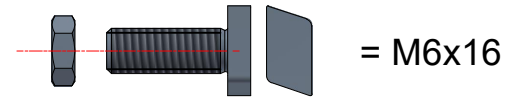
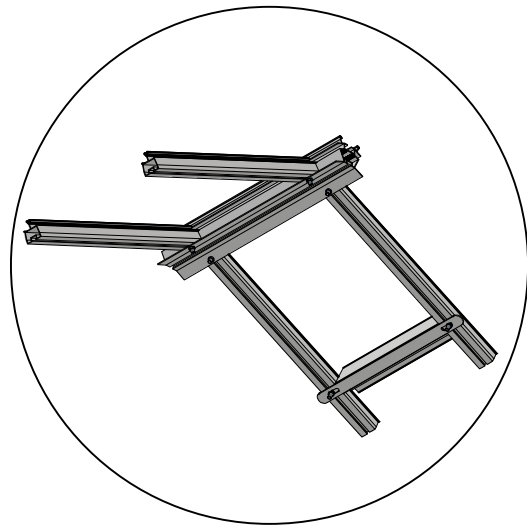
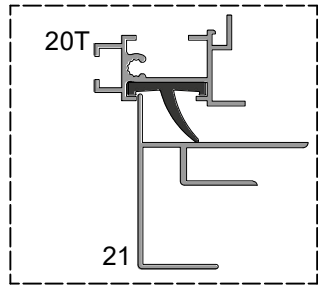


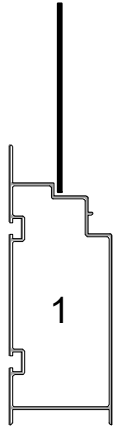
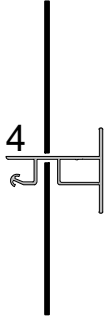
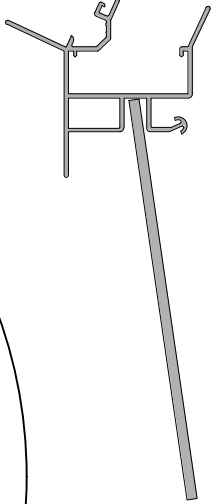
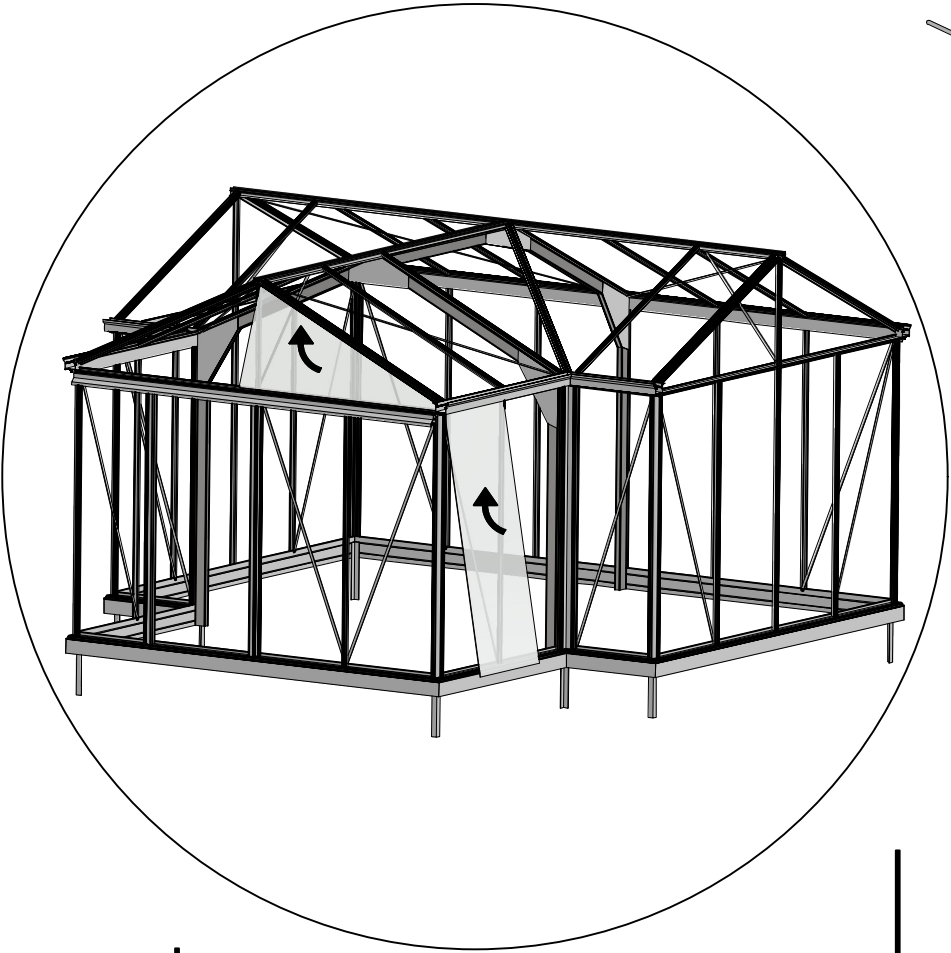
Opgemaakt op 11/01/2023

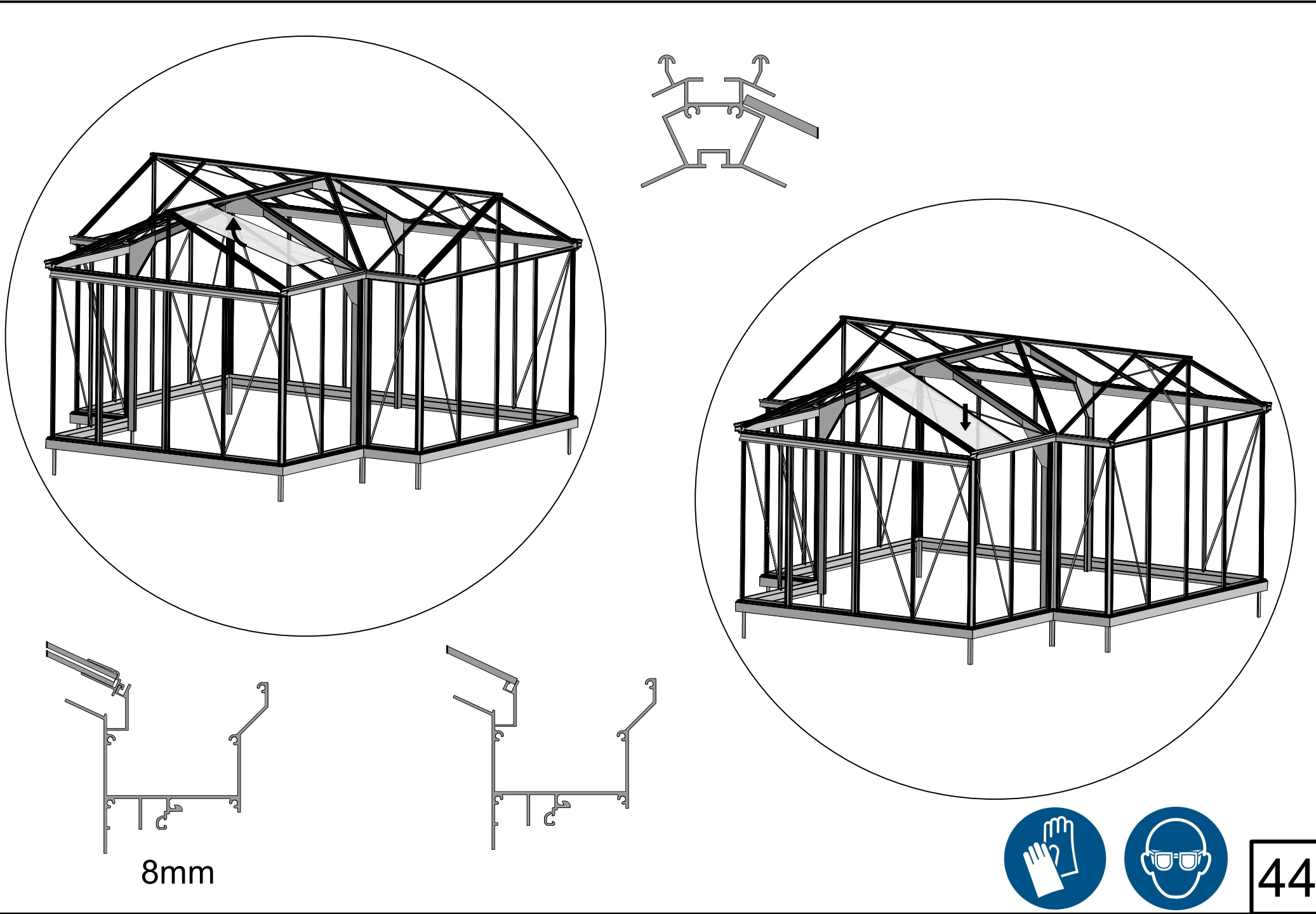








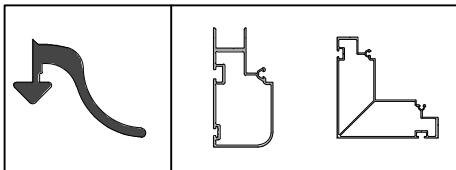
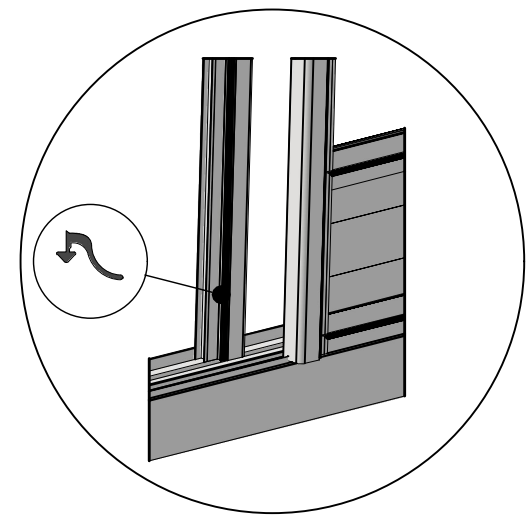
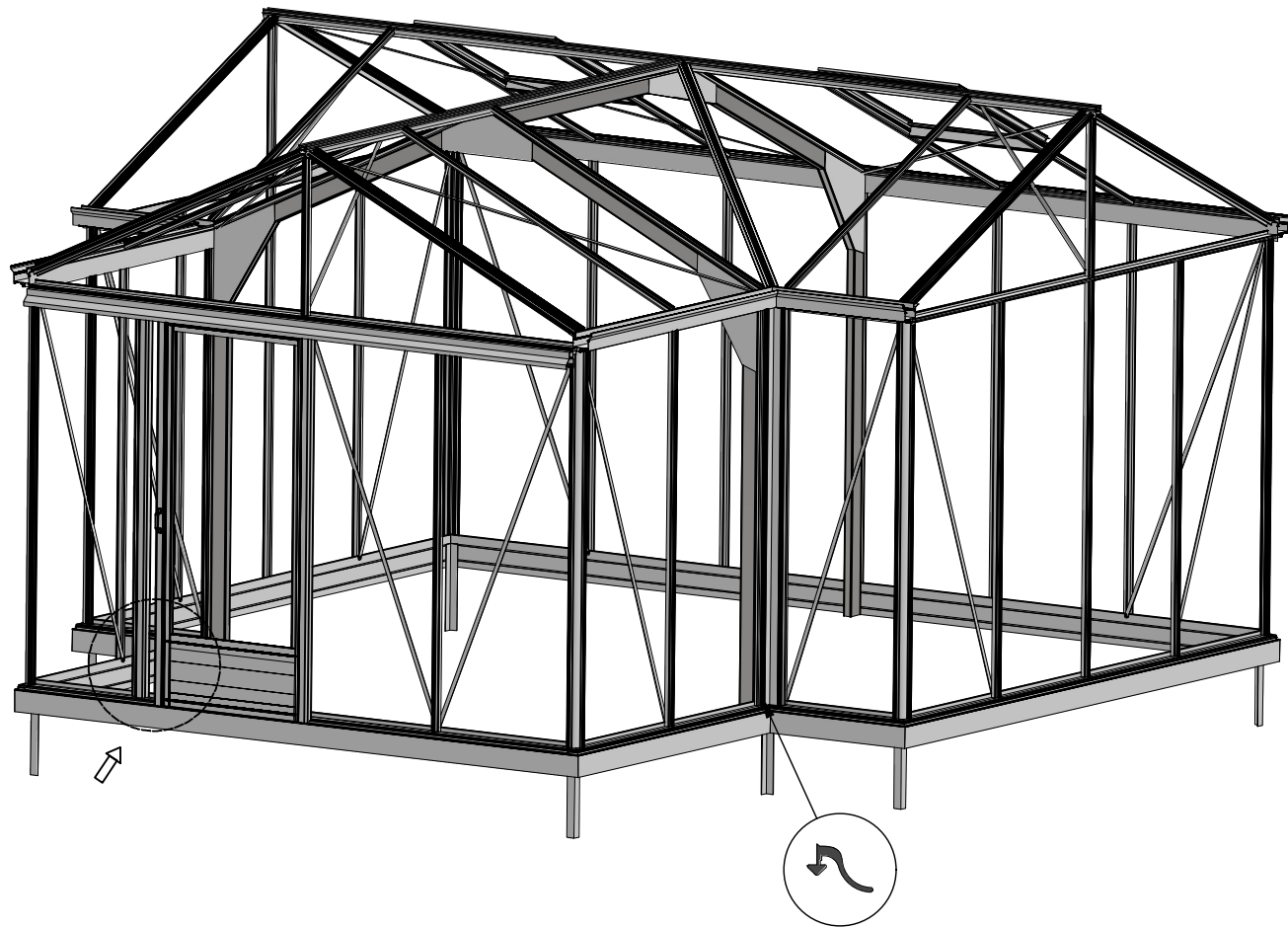


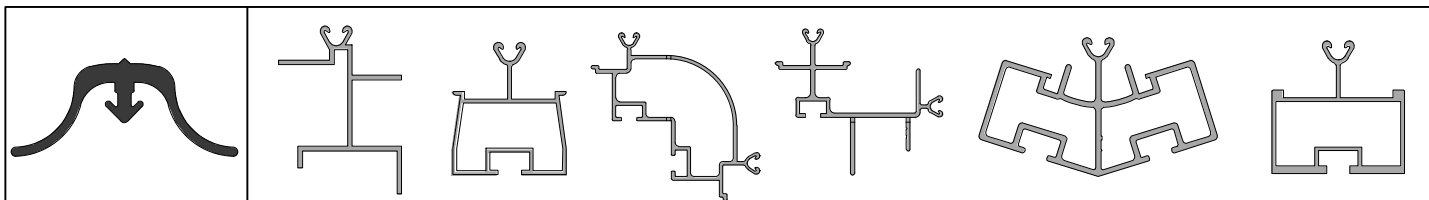
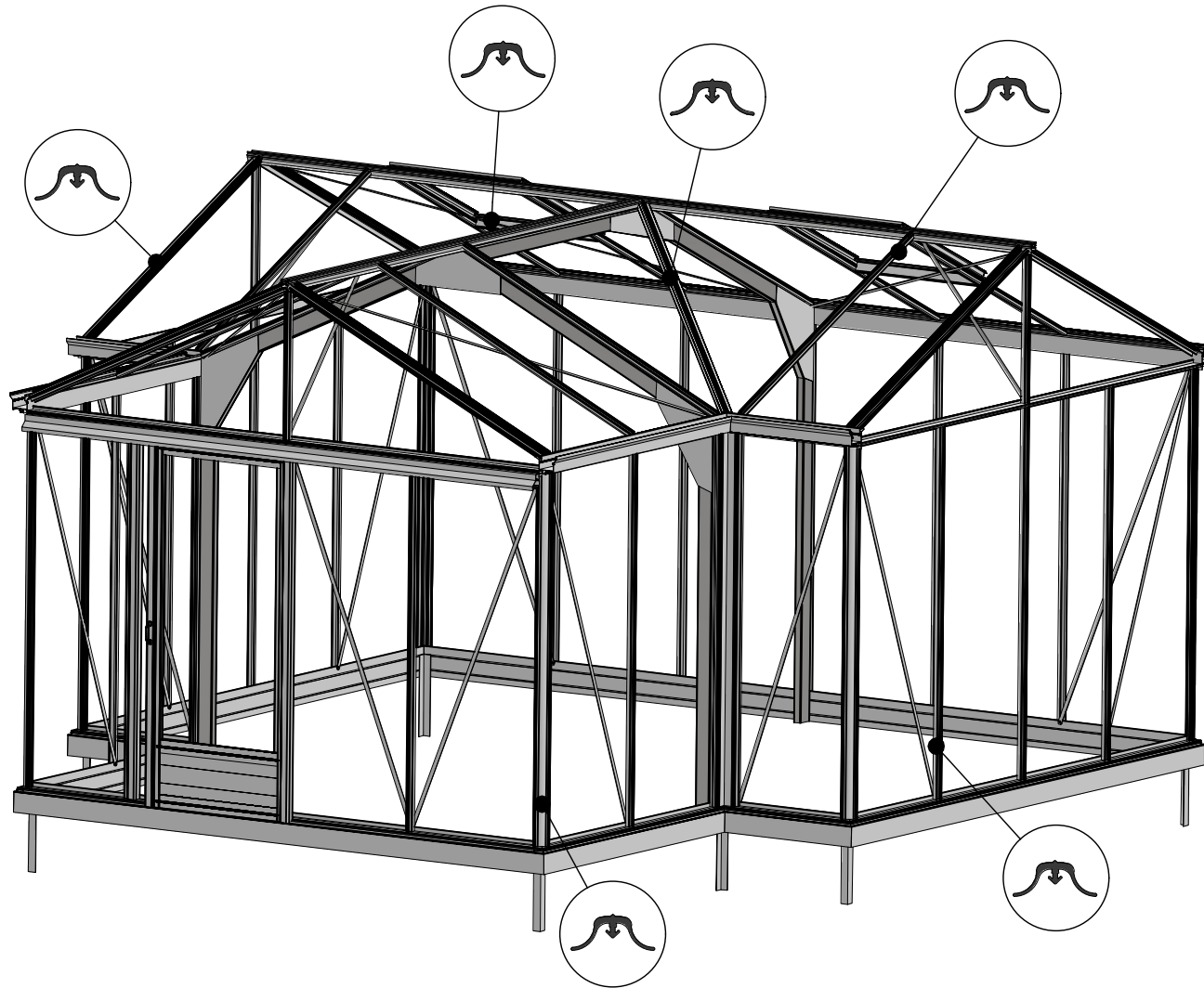


8mm

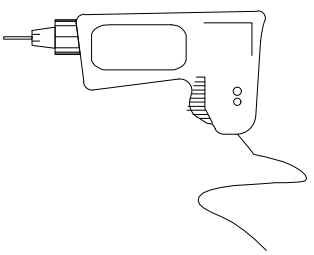


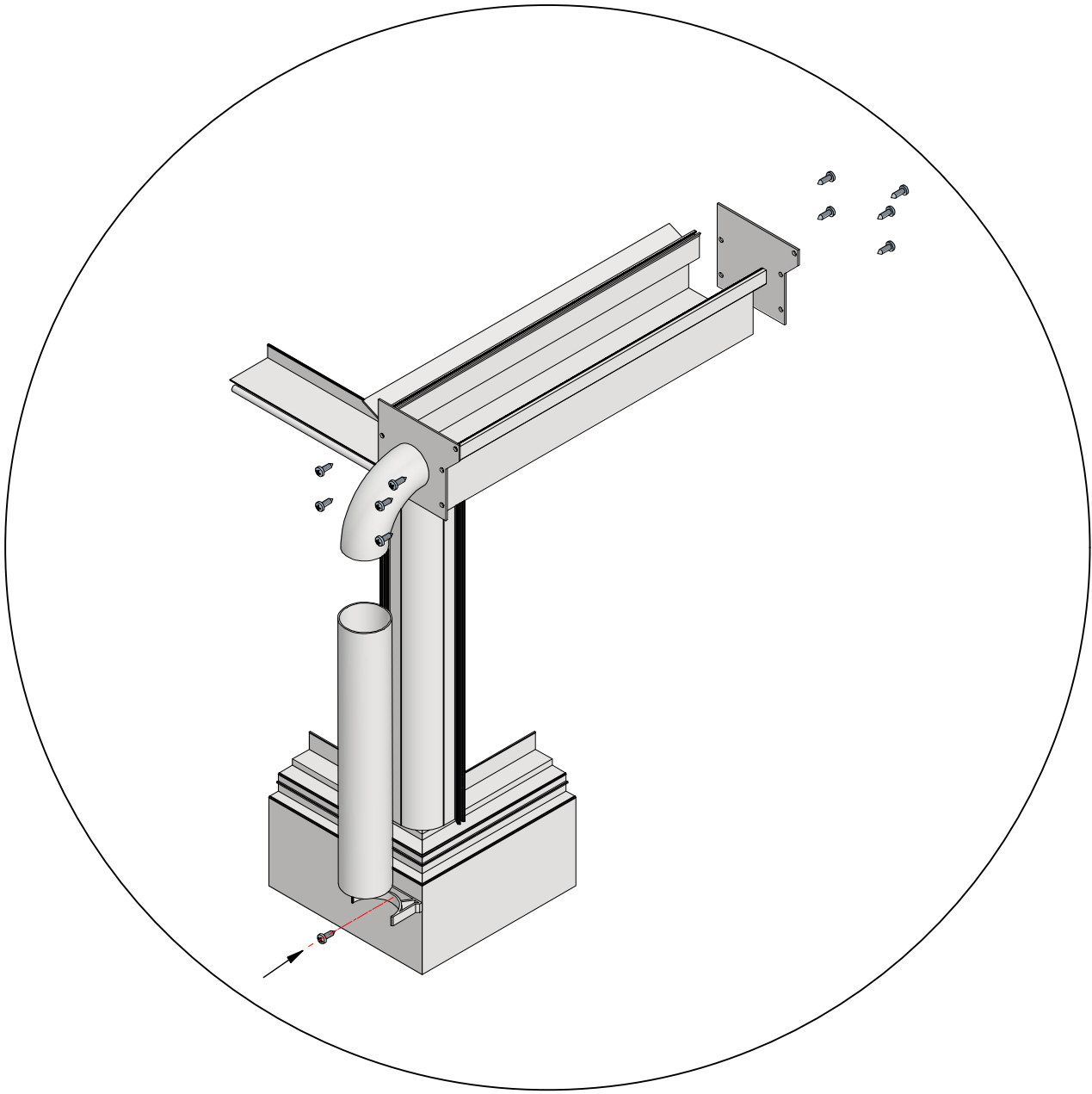




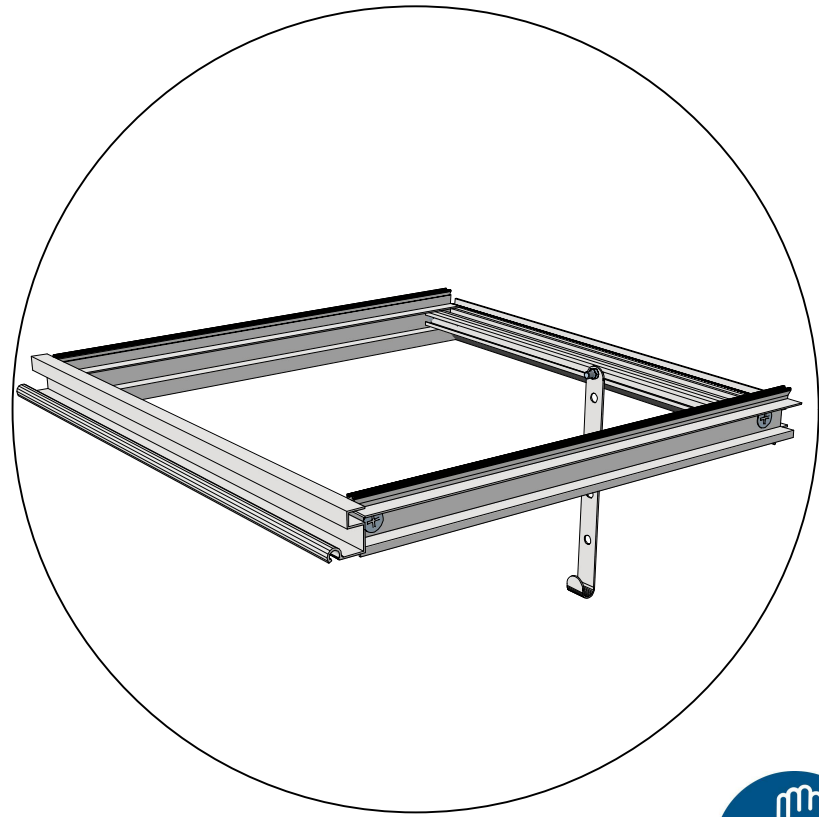
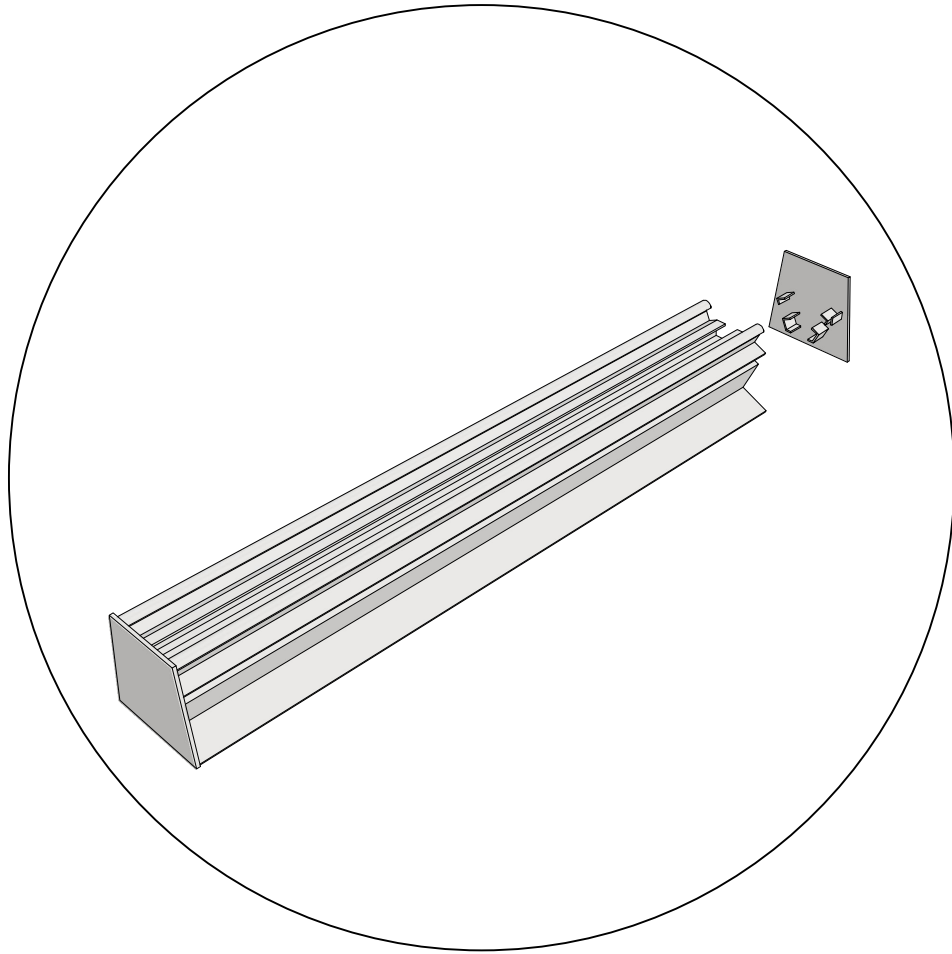


 = 4,8x16

Ø= 4mm 









**Geleenlaan 1 - 3600 Genk**

**ref: T-Classic-001 Rev. 05.10.2023**

**OCBS - 1148-CPR-20231003-989 C€**

**EN 1090-1 EXC 1**

**T-Classic**

**[www.euroserre.com/cecificaten](http://www.euroserre.com/cecificaten)**